



CUSTOM WORKS PROJECT NO. 031

120V PENDANT

location:  
**DAMP**

**SPECIFICATIONS:**

**DESCRIPTION**

Cord-hung pendant with Basket Shade diffuser in Wicker.

**LAMPING**

Standard: 40W A19 120V incandescent, suitable for dimming, not included.

**DIFFUSER**

Shade shall be Fabric of Wicker decor. 12" Dia. x 8" H

**SUSPENSION**

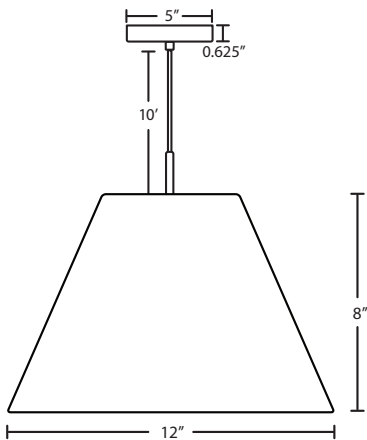
**Cord-hung:** 10' SJT-type cord. Jacket coordinates with metal finish.  
5" Dia. canopy is stamped steel.

**MOUNTING**

Installs directly to a 4" octagonal ceiling box. Suitable for sloped ceilings.

**LABELS**

UL or ETL Listed. Suitable for Damp Locations (interior use only).



**Project Information:**

All dimensions provided are nominal.  
Allowance must be made for dimensional tolerance in handcrafted glasses.