

# GLASS SHADE INSTALLATION GUIDE

Model J Series -06 (Med. Base Pendant Set 120V)



BESA LIGHTING

6695 Taylor Rd. Blacklick, OH 43004  
www.besalighting.com

JKIT.06, Rev.3 12-11

**IMPORTANT:** For installation of pendants and wiring, please refer to the **Fixture Installation Guide** included with fixture canopy

## Use With these Models:

- Pera 9 (4126xx)

1. Install the glass shade by positioning up over the lampholder and then threading the Threaded Posts into the Center Fitter.

2. Our Glass Shades are handcrafted using traditional methods. Variations in thickness will occasionally require adjustments to be made in order for the Glass Shade to suspend level.

To adjust, simply reposition the Glass Shade using the Center Fitter, then tighten into place using the Hex Nut.

3. Install bulb per label on luminaire and restore power.

### Hex Nut

must be installed prior to installing cord into the ceiling canopy.

### Washer

must be installed prior to installing cord into the ceiling canopy.

### 5" Cord Sleeve

must be installed prior to installing cord into the ceiling canopy.

### Decorative Posts\*

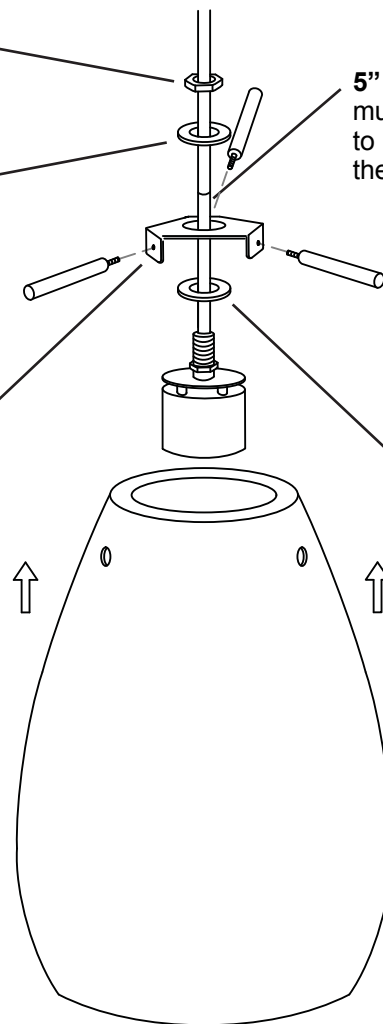
\*Decorative Posts provided may vary in appearance, than as shown

### The Center Fitter

must be installed prior to installing cord into the ceiling canopy.

### Washer

must be installed prior to installing cord into the ceiling canopy.



All electrical connections and the installation of this fixture must be in agreement with local codes, ordinances or the NEC (National Electric Code) or CEC (Canadian Electrical Code).

Do not connect this fixture to an electrical system that does not provide a means for equipment grounding.

### Replacement parts for this 120V Voltage Pendant Set are as follows:

#TJ310C100-SN.06 - 100W 10' clear cordset with Nickel Hardware

For Bronze cordset, use "Z" in place of "C" and "BR" in place of "SN". For 15' cordset, use "315" in place of "310"