



METRO 12 / 14 / 16

120V PENDANTS

location:
DAMP

SPECIFICATIONS:

DESCRIPTION

Cord-hung pendant with Opal Matte Cylinder and Metal Cone Shade top..

LAMPING

Standard: 60W A19 Medium-based 120V, lamp not included. Dimmable with standard incandescent dimmer (not included).

LED: 9W Replaceable LED Lamp 120V, CL dimmable, 90+ CRI, 3000°K CCT, 800 lumens, 30,000 hours, lamp included. (Standard CCT is 3000K, 3500K and 4000K are also available)

DIFFUSER

Shade shall be of clear glass with Opal Matte in 6", 8" or 10" height with Metal 6.5" Cone Shade top.

SUSPENSION

Cord-hung: 10' SVT-type cord, complete with 5" decorative sleeve at the socketholder. Jacket coordinates with metal finish. Plated stamped steel construction. Black, Bronze or Satin Nickel. See next page for multi light options.

MOUNTING

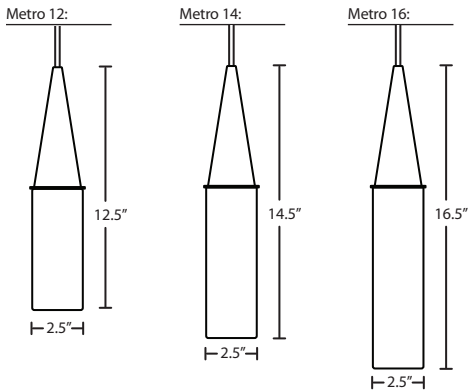
Installs directly to a 4" octagonal or round ceiling box. Suitable for sloped ceilings.

LABELS

UL or ETL Listed. Suitable for Damp Locations (interior use only). Consult factory concerning lower wattage labeling for energy requirements.



METRO 12, METRO 14 & METRO 16



Project Information:

For ordering information, see next page

All dimensions provided are nominal. Allowance must be made for dimensional tolerance in handcrafted glasses.

REV 6/24



ORDERING:

CONNECTION	GLASS OPTIONS	LAMP OPTIONS	METAL FINISH	OPTIONS
Cord Fixtures	METRO12 6" Glass	(blank) E26 base	BK Black	L 15' Cord
1JC 1 Lt. Dome	METRO14 8" Glass	LED 9W LED	BR Bronze	LW Lower
1JT 1 Lt. Flat	METRO16 10" Glass		SN Satin Nickel	Wattage Labeling
J For Multi light Canopy				

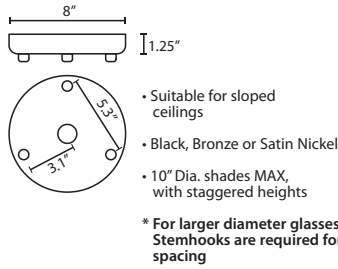


Multilight Canopies Available, see right

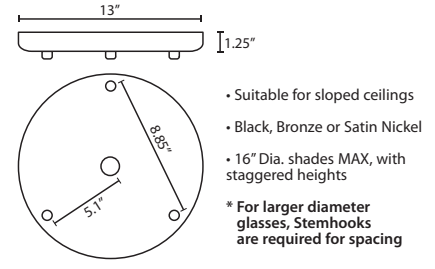
Ex. **1JT-METRO12-SN**
Metro 12 Pendant, Opal/Metal Shade, Satin Nickel Finish

MULTIPOINT CANOPY OPTIONS FOR CORD PENDANTS

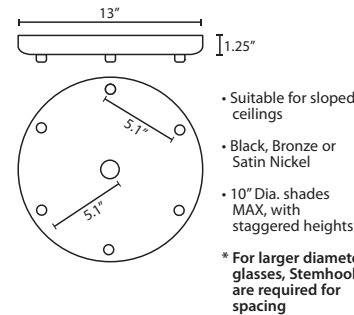
T33X 3 LIGHT ROUND CANOPY



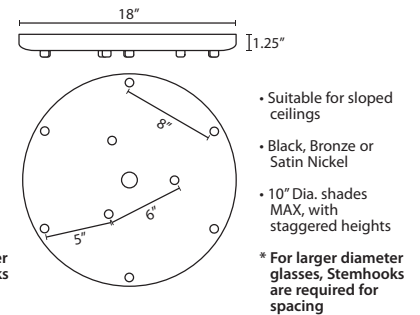
T33XL 3 LIGHT LARGE ROUND CANOPY



T36X 6 LIGHT ROUND CANOPY

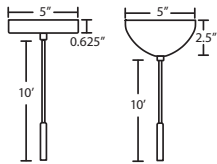


T39X 9 LIGHT ROUND CANOPY



PENDANT OPTIONS:

1JT / 1JC / J MONOPOINT PENDANT CANOPY



- Flat (1JT) or Dome (1JC) Canopy styles. Dome style allows adjustment without cutting cord.
- "J" option is pendant less canopy for multipoint canopy (options to the right)
- Suitable for sloped ceilings
- Cord: 10' SVT, 5" sleeve at socketholder (V Series utilizes SJT-type)
- Black, Bronze or Satin Nickel

ACCESSORIES:

LONGER CORD LENGTHS:
Longer cord length of 15' available. Add an "L" to the end of the item number, i.e. 1JC-169707-SNL.

LOW WATTAGE LABELING:
Incandescent fixture supplied with 16 watt relamp label. Add an "LW" to the end of the item number, i.e. 1JC-169707-SN-LW.

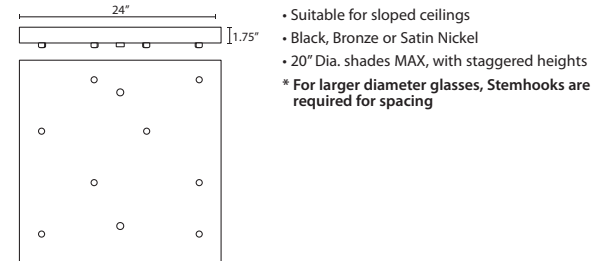
CORD SLEEVES:
If concealing the cord is desired, order our 0.25" dia. metal sleeves. Each sleeve is 18" long and may be field cut.

- T118-BK** Black
- T118-BR** Bronze
- T118-SN** Satin Nickel

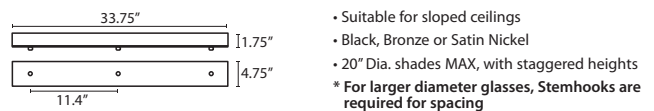
STEMHOOKS:
Suspension hooks allow cord drops to be placed wherever desired. Suitable for sloped ceilings.

- T103BK** Black
- T103BR** Bronze
- T103SN** Satin Nickel

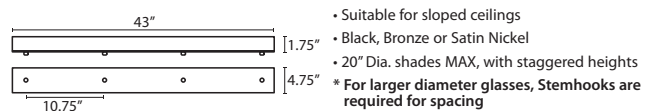
T38X 8 LIGHT SQUARE CANOPY



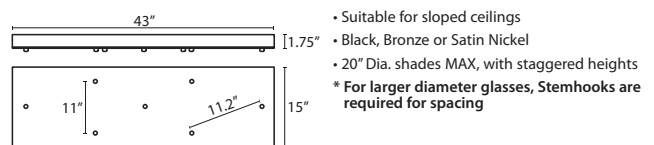
T33V 3 LIGHT BAR CANOPY



T34V 4 LIGHT BAR CANOPY



T37V 7 LIGHT BAR CANOPY



HOW TO ORDER A MULTILIGHT FIXTURE

Order your canopy with the selected 120V multi light pendants (indicated by "B" or "J" prefix) for the complete fixture:

Example: **1x T33XL-SN** (3 Light Large Round Canopy)

1x J-METRO12-SN (Metro 12 Pendant in Opal/Metal)

1x J-METRO12-SN (Metro 12 Pendant in Opal/Metal)

1x J-METRO12-SN (Metro 12 Pendant in Opal/Metal)