



JUNI 10

WALL PENDANT

location:
DAMP

SPECIFICATIONS:

DESCRIPTION

Wall-mounted Pendant featuring cylindrical glass bubbled shade.

LAMPING

Standard: 60W E26 base T10, 120V, suitable for dimming, lamp not included.
(Incandescent dimmer is suitable for dimming, not included)

LED Edison: 8W Replaceable LED Filament T-shape lamp, 120V, CL dimmable, 90+ CRI, 3000K CCT, 800 lumens, 25,000 hours, lamp included.

DIFFUSER

Shade shall be handcrafted glass of various decors. 3.5" Dia. x 10" H

CONSTRUCTION

Plated steel backplate and cord support arm/loop in Bronze or Satin Nickel. Adjustable 10' cord provided.

METAL FINISH

Fixture shall be finished in Bronze or Satin Nickel.

MOUNTING

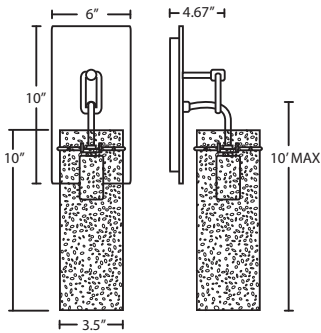
Installs directly to a 4" octagonal outlet box. Wall-mount only.

LABELS

UL or ETL Listed. Suitable for Damp Locations (interior use only).



CLEAR BUBBLE (JUNI10CL)



JUNI10BL
BLUE BUBBLE

JUNI10GD
GOLD BUBBLE

JUNI10LT
LATTE BUBBLE

JUNI10MS
MOSS BUBBLE

JUNI10PL
PLUM BUBBLE



For ordering information, see next page

All dimensions provided are nominal.
Allowance must be made for dimensional tolerance in handcrafted glasses.

REV 10/24



ORDERING:

FIXTURE	SHADE OPTIONS	LAMP OPTIONS	METAL FINISH
1WP Wall Pendant	JUNI10BL Blue Bubble	(blank) 60W T10	BR Bronze
	JUNI10CL Clear Bubble	EDIL 8W LED Filament	SN Satin Nickel
	JUNI10GD Gold Bubble		
	JUNI10LT Latte Bubble		
	JUNI10MS Moss Bubble		
	JUNI10PL Plum Bubble		

Ex. 1WP-JUNI10BL-SN
 Juni 10 Wall, Blue Bubble,
 Satin Nickel Finish

Project Information: