



PIVOT

12V MINI PENDANTS

location:
DRY

SPECIFICATIONS:

DESCRIPTION

Low voltage mini pendant with handcrafted glass.

LAMPING

LED: 3W replaceable 12V LED MR11, dimmable, 90+ CRI, 3000°K CCT, 300 lumens, 25,000 hours. Lamp included. Dimmable with ELV Dimmer (not included).

DIFFUSER

Shade shall be made of handcrafted glass in various decors. 3.25" Dia. x 1.5" H

CORD

Standard cord is 10' field-adjustable coaxial type with teflon jacket and decorative sleeve at the socketholder. Jacket tint coordinates with metal finish. Cords also available in 15' lengths.

STANDARD PENDANT (1XT, X)

Mini pendant comes complete with flat-style canopy. See next page for multi light options with "X" prefix.

QUICK-CONNECT OPTION (XP, RXP)

Quick-Connect Jack is compatible with Besa Rail Adapter.

METAL FINISH

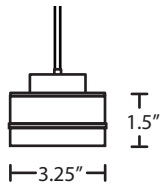
Glass retainer hardware, sleeve and Quick-Connect Jack and/or canopies are finished in either Black or Satin Nickel.

MOUNTING

Installs directly to a 4" octagonal ceiling box. Suitable for sloped ceilings.

LABELS

UL or ETL Listed. Suitable for Dry Locations (interior use only).



PIVOT SHOWN IN OPAL GLOSSY/SMOKE (PIVOTSM)

PIVOTCL
OPAL GLOSSY/CLEAR



Project Information:

For ordering information, see next page

All dimensions provided are nominal.
Allowance must be made for dimensional tolerance in handcrafted glasses.

REV 9/24



ORDERING:

CONNECTION	SHADE OPTIONS	LAMP OPTIONS	METAL FINISH	OPTIONS
Quick-Connect	PIVOTCL Opal Glossy/Clear	LED 3W LED	BK Black	L 15' cord
XP Jack Only	PIVOTSM Opal Glossy/Smoke		SN Satin Nickel	277 277V
RXP Rail-Ready				DIM010 0-10V Dimming

Pendant Fixtures
1XT Flat Canopy

Multi light
X For Multi light Canopy

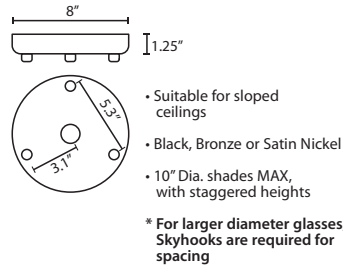


Multilight Canopies Available, see options on right.

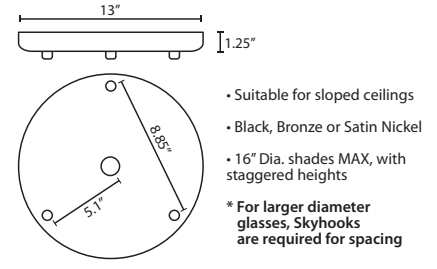
Ex. 1XT-PIVOTCL-LED-SN
Pivot LED Pendant, Opal Glossy/Clear Glass, Satin Nickel Finish

MULTIPOINT CANOPY OPTIONS FOR CORD PENDANTS

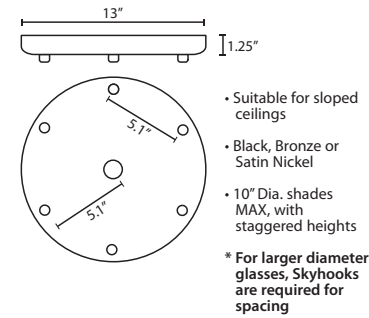
T23X 3 LIGHT ROUND CANOPY



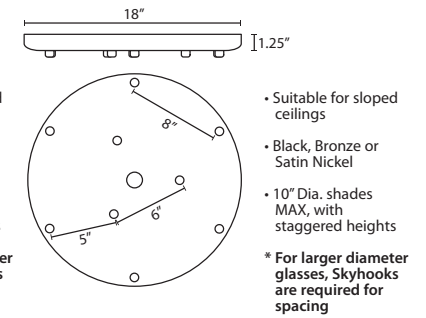
T23XL 3 LIGHT LARGE ROUND CANOPY



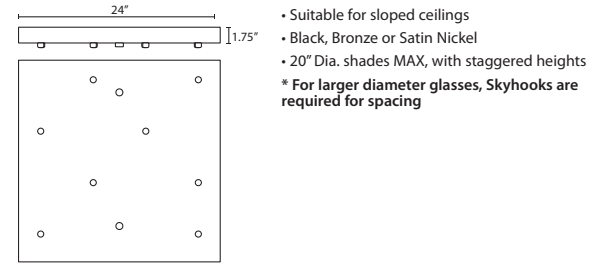
T26X 6 LIGHT ROUND CANOPY



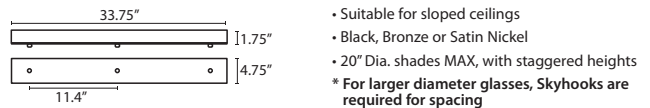
T29X 9 LIGHT ROUND CANOPY



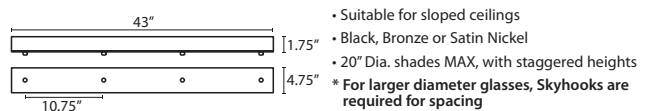
T28S 8 LIGHT SQUARE CANOPY



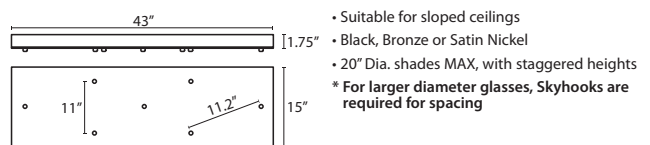
T23V 3 LIGHT BAR CANOPY



T24V 4 LIGHT BAR CANOPY



T27V 7 LIGHT BAR CANOPY



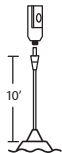
QUICK-CONNECT OPTIONS:

XP PENDANT ELEMENT ONLY



- Pendant Shade and Cord/Socket Set
- 10' Field-adjustable braided coaxial-type cord with a teflon jacket (clear or bronze tint coordinates with metal finish)
- Quick-Connect Jack provided
- Compatible with Besa Canopies and Rail Adapter
- Also available in 15'
- Black, Bronze or Satin Nickel metal finishes

RXP PENDANT + RAIL ADAPTER



- READY FOR RAIL**
- Pendant Shade and Cord/Socket Set, plus Rail Adapter
 - 10' Field-adjustable braided coaxial-type cord with a teflon jacket (clear or bronze tint coordinates with metal finish)
 - Quick-Connect Jack provided
 - Compatible with Besa Monorail System
 - Also available in 15'
 - Black, Bronze or Satin Nickel metal finishes

ACCESSORIES:

SKYHOOKS:

Suspension hooks allow cord drops to be placed wherever desired. Suitable for sloped ceilings or for greater multilight spacing.

- T100-BR** Bronze.
T100-SN Satin Nickel

ADDITIONAL OPTIONS:

277V:
For 277V option, add an "277" to the end of the item number, i.e. 1XT-174352-SN-277.

0-10V Dimming:
For 0-10V Dimming option, add an "DIM010" to the end of the item number, i.e. 1XT-174352-SN-DIM010.

15ft. CORD LENGTH:
For longer 15' cord, add an "L" to the end of the item number, i.e. 1XT-174352-SNL.

HOW TO ORDER A MULTILIGHT FIXTURE

Order your canopy with the selected 12V multi light pendants (indicated by "X" prefix) for the complete fixture:

Example: 1x T23XL-LED-SN (3 Light Large Round LED Canopy)

1x X-PIVOTSM-LED-SN (Pivot LED Pendant in Opal Glossy/Smoke)

1x X-PIVOTSM-LED-SN (Pivot LED Pendant in Opal Glossy/Smoke)

1x X-PIVOTSM-LED-SN (Pivot LED Pendant in Opal Glossy/Smoke)