



PINOT 9 / 13 / 18

120V PENDANTS

location:
DAMP

SPECIFICATIONS:

DESCRIPTION

The Pinot features an oblong, free form European glass shade, with a soothing injection of random bubble patterning. The transparent glass with the pleasing play of light through the bubble accents make for a striking effect.

LAMPING

Standard: 60W T10 Medium-based 120V, lamp not included. Dimmable with standard incandescent dimmer (not included).

LED Filament: 4W Replaceable LED Filament T-shape lamp, 120V, dimmable, lamp included.

DIFFUSER

Shade shall be handcrafted glass of various decors.

Pinot 9: 4" Dia. x 9" H

Pinot 13: 5.5" Dia. x 12.75" H

Pinot 18: 7.5" Dia. x 18.1" H

SUSPENSION

Cord-hung: 10' SVT-type cord, complete with 5" decorative sleeve at the socketholder. Jacket coordinates with metal finish. Plated stamped steel construction. Black, Bronze or Satin Nickel. See next page for multilight options.

MOUNTING

Installs directly to a 4" octagonal or round ceiling box. Suitable for sloped ceilings.

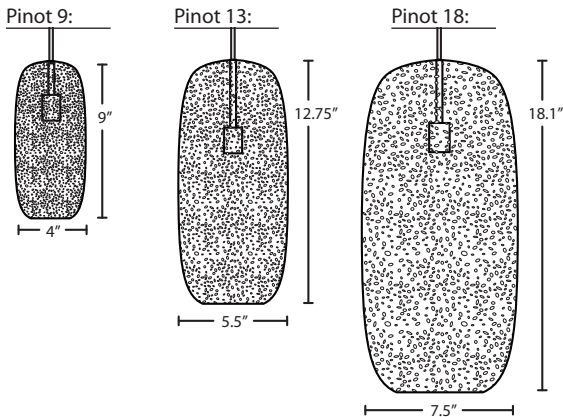
LABELS

UL or ETL Listed. Suitable for Damp Locations (interior use only).

Consult factory concerning lower wattage labeling for energy requirements.



PINOT9SM (SMOKE BUBBLE) & PINOT13CL (CLEAR BUBBLE)



PINOT18BL
BLUE BUBBLE

Project Information:

For ordering information, see next page

All dimensions provided are nominal.
Allowance must be made for dimensional tolerance in handcrafted glasses.

REV 6/24



ORDERING:

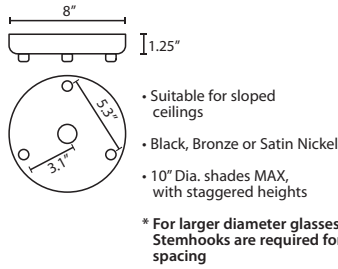
CONNECTION	SHADE OPTIONS	LAMP OPTIONS	METAL FINISH	OPTIONS
Pendant Fixtures	PINOT9BL 9" Blue Bubble	(blank) 60W T10	BK Black	L 15' cord
1JC Dome Canopy	PINOT9CL 9" Clear Bubble	EDIL 4W LED	BR Bronze	LW Low
1JT Flat Canopy	PINOT9SM 9" Smoke Bubble	Filament	SN Satin Nickel	wattage
Multi light Cord Fixture	PINOT13BL 13" Blue Bubble			labeling
J For Multi light Canopy	PINOT13CL 13" Clear Bubble			
	PINOT13SM 13" Smoke Bubble			
	PINOT18BL 18" Blue Bubble			
	PINOT18CL 18" Clear Bubble			
	PINOT18SM 18" Smoke Bubble			

Ex. 1JT-PINOT9BL-EDIL-SN
 Pinot 9 LED Pendant, Blue Bubble Shade, Satin Nickel Finish, Flat Canopy

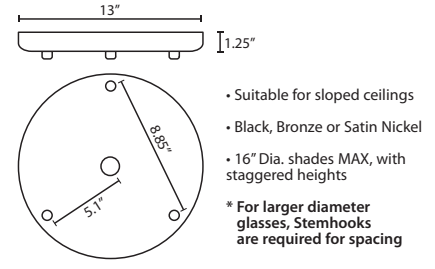


MULTIPOINT CANOPY OPTIONS FOR CORD PENDANTS

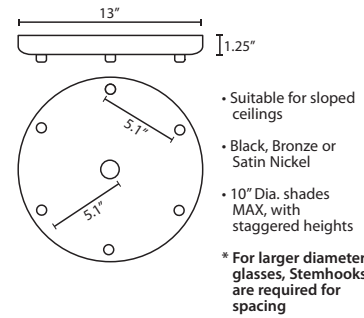
T33X 3 LIGHT ROUND CANOPY



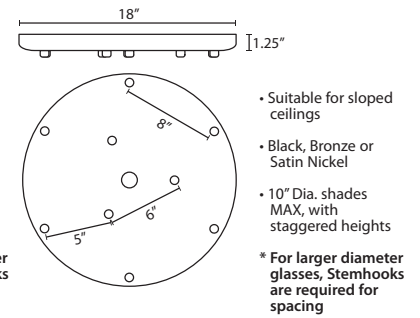
T33XL 3 LIGHT LARGE ROUND CANOPY



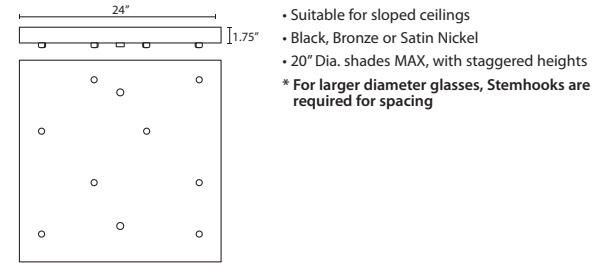
T36X 6 LIGHT ROUND CANOPY



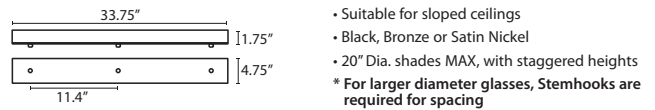
T39X 9 LIGHT ROUND CANOPY



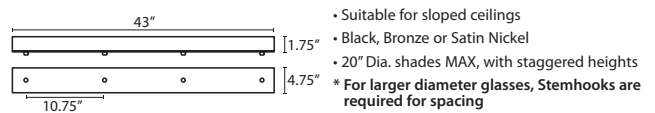
T38X 8 LIGHT SQUARE CANOPY



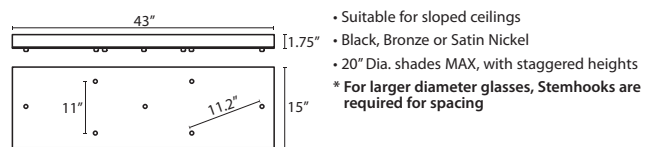
T33V 3 LIGHT BAR CANOPY



T34V 4 LIGHT BAR CANOPY



T37V 7 LIGHT BAR CANOPY



HOW TO ORDER A MULTILIGHT FIXTURE

Order your canopy with the selected 120V multi light pendants (indicated by "B" or "J" prefix) for the complete fixture:

Example: 1x T33X-SN (3 Light Round Canopy)

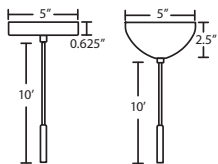
1x J-PINOT9CL-SN (Pinot 9 Pendant in Clear Bubble)

1x J-PINOT9BL-SN (Pinot 9 Pendant in Blue Bubble)

1x J-PINOT9SM-SN (Pinot 9 Pendant in Smoke Bubble)

PENDANT OPTIONS:

1JT / 1JC / J CORD-HUNG PENDANT



- Flat (1JT) or Dome (1JC) Canopy styles. Dome style allows adjustment without cutting cord.
- "J" option is pendant less canopy for multipoint canopy (options to the right)
- Suitable for sloped ceilings
- Cord: 10' SVT, 5" sleeve at socketholder
- Also available in 15'
- Black, Bronze or Satin Nickel
- Cord Sleeves are available in 18" lengths

ACCESSORIES:

LONGER CORD LENGTHS:

Longer cord length of 15' available. Add an "L" to the end of the item number, i.e. 1JC-169707-SN-L.

LOW WATTAGE LABELING:

Incandescent fixture supplied with 16 watt relamp label.

Add an "LW" to the end of the item number, i.e. 1JC-169707-SN-LW.

CORD SLEEVES:

If concealing the cord is desired on a Cord-hung Pendant, order our 0.25" dia. metal sleeves. Each sleeve is 18" long and may be field cut.

- T118-BK** Black
- T118-BR** Bronze
- T118-SN** Satin Nickel

STEMHOOKS:

Suspension hooks allow cord drops to be placed wherever desired. Suitable for sloped ceilings or for greater multilight spacing

- T103BK** Black
- T103BR** Bronze
- T103SN** Satin Nickel