



NILES 10

120V PENDANTS

location:
DAMP

SPECIFICATIONS:

DESCRIPTION

The Niles Pendant is composed of a broad transparent European glass cylinder, with an interesting bubble pattern blown randomly throughout the glass and exposed light source. Also with the option of an inner opal cylinder for concealing the light source.

LAMPING

Standard: 60W T10 Medium-based 120V, lamp not included. Dimmable with standard incandescent dimmer (not included).

LED: 5W Replaceable source, 120V, CL dimmable, 90+ CRI 3000°K CCT, 550 lumens, 30,000 hours, lamp included (For inner opal cylinder option). (Standard CCT is 3000K, 3500K and 4000K are also available)

LED Filament: 8W Replaceable LED Filament T-shape lamp, 120V, CL dimmable, 90+ CRI, 3000°K CCT, 800 lumens, 25,000 hours, lamp included. (not for inner opal cylinder option).

DIFFUSER

Shade shall be handcrafted glass of various decors. 9.5" Dia. x 9" H
May also feature inner Opal Cylinder.

SUSPENSION

Cord-hung: 10' SVT-type cord, complete with 5" decorative sleeve at the socketholder. Jacket coordinates with metal finish. Plated stamped steel construction. Black, Bronze or Satin Nickel. See next page for mult light options.

Stem-mount: Includes 4 connectable stem sections (3", 6", 12" and 18" lengths) plus telescoping piece for up to 3" adjustment, 10' max. 5" Dia. canopy (with swivel) and stem sections are plated steel. Black, Bronze or Satin Nickel.

*Additional Stem Sections can be ordered under accessories.

MOUNTING

Installs directly to a 4" octagonal or round ceiling box. Suitable for sloped ceilings.

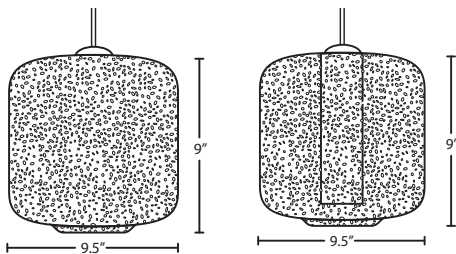
LABELS

UL or ETL Listed. Suitable for Damp Locations (interior use only).

Consult factory concerning lower wattage labeling for energy requirements.



CLEAR BUBBLE (NILES10CL) & AMBER BUBBLE/OPAL (NILES10AO) IN BLACK FINISH



Project Information:

For ordering information, see next page

All dimensions provided are nominal.
Allowance must be made for dimensional tolerance in handcrafted glasses.

REV 6/24

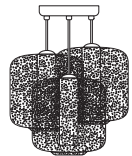


ORDERING:

CONNECTION	SHADE OPTIONS	LAMP OPTIONS	METAL FINISH	OPTIONS
Pendant Fixtures	NILES10AM Amber Bubble	(blank) 60W T10	BK Black	L 15' cord
1JC Dome Canopy	NILES10BL Blue Bubble	LED* 5W LED	BR Bronze	LW Low
1JT Flat Canopy	NILES10CL Clear Bubble	(With Inner Glass)	SN Satin Nickel	wattage
	NILES10SM Smoke Bubble	EDIL 8W LED		labeling
Stem Fixtures	NILES10AO Amber Bubble/Opal	Filament		
1TT Flat Canopy	NILES10BO Blue Bubble/Opal	(Without Inner Glass)		
	NILES10CO Clear Bubble/Opal			
Multi light Cord Fixture	NILES10SO Smoke Bubble/Opal			

*CCT options available (contact factory)

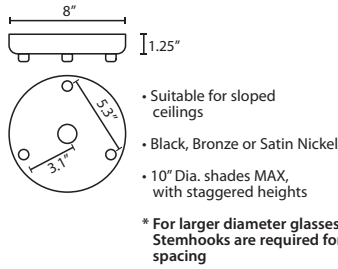
Ex. 1JT-NILES10CL-SN
Niles 10 Pendant, Clear Bubble Glass, Satin Nickel Finish, Flat Canopy



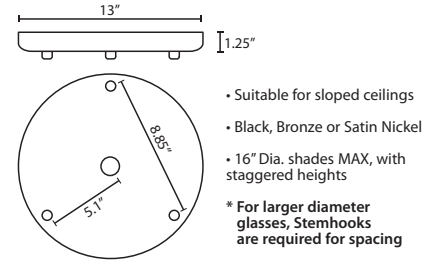
Multilight Canopies Available, see page 11

MULTIPOINT CANOPY OPTIONS FOR CORD PENDANTS

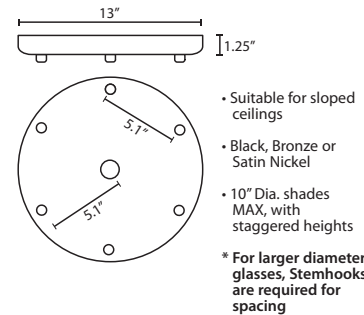
T33X 3 LIGHT ROUND CANOPY



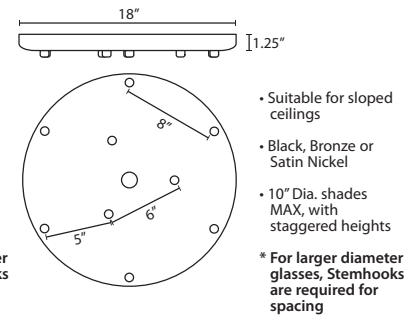
T33XL 3 LIGHT LARGE ROUND CANOPY



T36X 6 LIGHT ROUND CANOPY

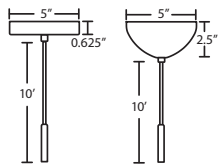


T39X 9 LIGHT ROUND CANOPY



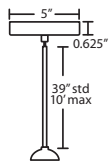
PENDANT OPTIONS:

1JT / 1JC / J CORD-HUNG PENDANT



- Flat (1JT) or Dome (1JC) Canopy styles. Dome style allows adjustment without cutting cord.
- "J" option is pendant less canopy for multipoint canopy (options to the right)
- Suitable for sloped ceilings
- Cord: 10' SVT, 5" sleeve at socketholder
- Also available in 15'
- Black, Bronze or Satin Nickel
- Cord Sleeves are available in 18" lengths

1TT STEM PENDANT



- Swivel at canopy, suitable for sloped ceilings
- Includes telescoping section plus 4 connectable stem sections, (1x 3', 1x 6', 1x 12', 1x 18'), 10' max
- Black, Bronze or Satin Nickel
- Additional Stem Sections can be ordered under Accessories

ACCESSORIES:

ADDITIONAL STEM SECTIONS:

Additional connecting stems are available to increase overall length of a Stem Pendant, up to 10' max. Telescoping adjustable section allows up to 3" movement.

T20A-SN, BK or BR	Adj. Section
T203-SN, BK or BR	3" Section
T206-SN, BK or BR	6" Section
T212-SN, BK or BR	12" Section
T218-SN, BK or BR	18" Section

LONGER CORD LENGTHS:

Longer cord length of 15' available. Add an "L" to the end of the item number, i.e. 1JC-169707-SN-L.

LOW WATTAGE LABELING:

Incandescent fixture supplied with 16 watt relamp label. Add an "LW" to the end of the item number, i.e. 1JC-169707-SN-LW.

CORD SLEEVES:

If concealing the cord is desired on a Cord-hung Pendant, order our 0.25" dia. metal sleeves. Each sleeve is 18" long and may be field cut.

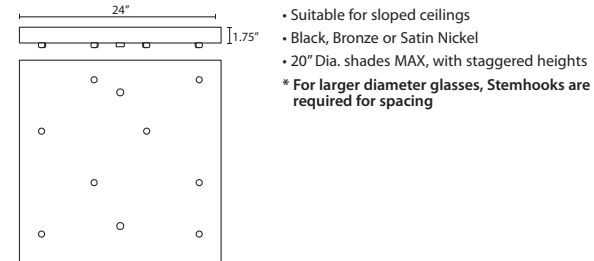
T118-BK	Black
T118-BR	Bronze
T118-SN	Satin Nickel

STEMHOOKS:

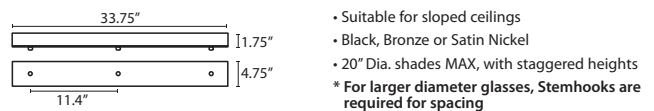
Suspension hooks allow cord drops to be placed wherever desired. Suitable for sloped ceilings or for greater multilight spacing

T103BK	Black
T103BR	Bronze
T103SN	Satin Nickel

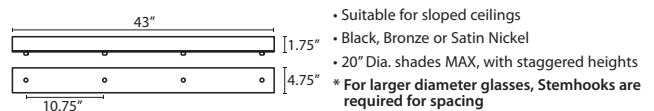
T38X 8 LIGHT SQUARE CANOPY



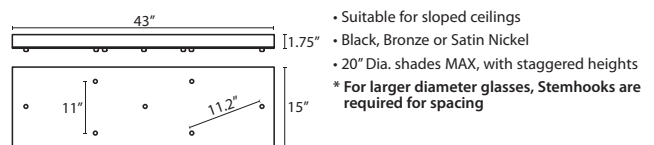
T33V 3 LIGHT BAR CANOPY



T34V 4 LIGHT BAR CANOPY



T37V 7 LIGHT BAR CANOPY



HOW TO ORDER A MULTILIGHT FIXTURE

Order your canopy with the selected 120V multi light pendants (indicated by "B" or "J" prefix) for the complete fixture:

Example: 1x T33X-SN (3 Light Round Canopy)

1x J-NILES10AM-SN (Niles 10 Pendant in Amber Bubble)

1x J-NILES10BL-SN (Niles 10 Pendant in Blue Bubble)

1x J-NILES10SM-SN (Niles 10 Pendant in Smoke Bubble)