



# KONA

12V MINI PENDANTS

location:  
**DRY**

## SPECIFICATIONS:

### DESCRIPTION

Low voltage mini pendant with handcrafted glass.

### LAMPING

**Standard:** 50W MAX GY6.35 base, T-shape lamp. Dimmable with ELV Dimmer (not included).

**LED:** 3W Replaceable 12V LED, dimmable, 90+ CRI, 3000°K CCT, 300 lumens, 25,000 hours. Lamp included. Dimmable with ELV Dimmer (not included).

### DIFFUSER

Shade shall be handcrafted glass of various decors. 5.5" Dia. x 2.5" H

**Opening sizes:** 24mm top.

### CORD

Standard cord is 10' field-adjustable coaxial type with teflon jacket and decorative sleeve at the socketholder. Jacket tint coordinates with metal finish. Cords also available in 15' lengths.

### STANDARD PENDANT (1XC, 1XT, X)

Mini pendant comes complete with either dome-style or flat-style canopy. See next page for multi light options with "X" prefix.

### QUICK-CONNECT OPTION (XP, RXP)

Quick-Connect Jack is compatible with Besa Rail Adapter.

### METAL FINISH

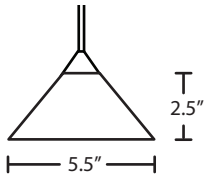
Glass retainer hardware, sleeve and Quick-Connect Jack and/or canopies are finished in either Black, Bronze or Satin Nickel.

### MOUNTING

Installs directly to a 4" octagonal ceiling box. Suitable for sloped ceilings.

### LABELS

UL or ETL Listed. Suitable for Dry Locations (interior use only).



KONA SHOWN IN BICOLOR (117691) & SUNSET (117681) IN BLACK FINISH

117607  
WHITE



117652  
MARBLE



282453  
WHITE STARPOINT



282484  
BLUE STARPOINT



282490  
MANGO STARPOINT



### Project Information:

**For ordering information, see next page**

All dimensions provided are nominal.  
Allowance must be made for dimensional tolerance in handcrafted glasses.

REV 9/24



ORDERING:

CONNECTION	SHADE OPTIONS	LAMP OPTIONS	METAL FINISH	OPTIONS
Quick-Connect	<b>117607</b> White	(blank) Bipin socket	<b>BK</b> Black	<b>L</b> 15' cord
<b>XP</b> Jack Only	<b>117652</b> Marble	<b>LED</b> 3W LED	<b>BR</b> Bronze	<b>277</b> 277V
<b>RXP</b> Rail-Ready	<b>117681</b> Sunset		<b>SN</b> Satin Nickel	<b>DIM010</b> 0-10V Dimming
	<b>117691</b> Bi-Color			
Pendant Fixtures	<b>282453</b> White Starpoint			
<b>1XC</b> Dome Canopy	<b>282484</b> Blue Starpoint			
<b>1XT</b> Flat Canopy	<b>282490</b> Mango Starpoint			

Ex. **1XT-117681-SN**  
Kona Mini Pendant w/ Sunset Glass Shade, Satin Nickel Finish

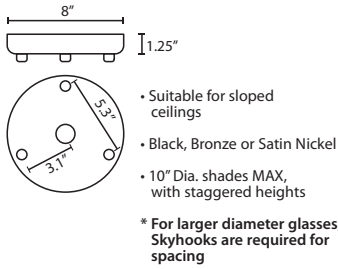
Multi light  
**X** For Multi light Canopy



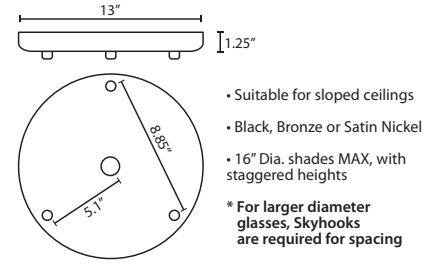
Multilight Canopies Available, see right

MULTIPOINT CANOPY OPTIONS FOR CORD PENDANTS

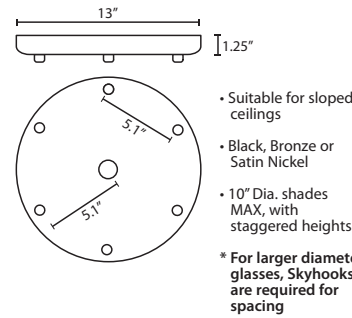
T23X 3 LIGHT ROUND CANOPY



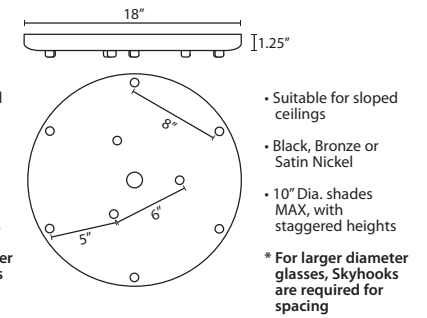
T23XL 3 LIGHT LARGE ROUND CANOPY



T26X 6 LIGHT ROUND CANOPY



T29X 9 LIGHT ROUND CANOPY



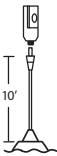
QUICK-CONNECT OPTIONS:

XP PENDANT ELEMENT ONLY



- Pendant Shade and Cord/Socket Set
- 10' Field-adjustable braided coaxial-type cord with a teflon jacket (clear or bronze tint coordinates with metal finish)
- Quick-Connect Jack provided
- Compatible with Besa Canopies and Rail Adapter
- Black, Bronze or Satin Nickel metal finishes

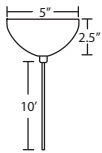
RXP PENDANT + RAIL ADAPTER



- READY FOR RAIL**
- Pendant Shade and Cord/Socket Set, plus Rail Adapter
  - 10' Field-adjustable braided coaxial-type cord with a teflon jacket (clear or bronze tint coordinates with metal finish)
  - Quick-Connect Jack provided
  - Compatible with Besa Monorail System
  - Black, Bronze or Satin Nickel metal finishes

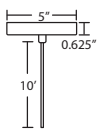
FIXED PENDANT OPTIONS:

1XC 1 LIGHT PENDANT, DOME CANOPY



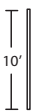
- NO CORD CUTTING REQUIRED**
- Suitable for use on sloped ceilings
  - 1x electronic 60W dimmable 120V transformer
  - Installs to standard 4" octagonal junction box
  - Black, Bronze or Satin Nickel metal finishes

1XT 1 LIGHT PENDANT, FLAT CANOPY



- Suitable for use on sloped ceilings
- 1x electronic 60W dimmable 120V transformer, fits partially in junction box
- Installs to standard 4" octagonal junction box
- Black, Bronze or Satin Nickel metal finishes

X 1 LIGHT PENDANT FOR MULTIPOINT CANOPIES



- Suitable for use on sloped ceilings
- 1x electronic 60W dimmable 120V transformer, fits partially in junction box
- Installs to standard 4" octagonal junction box
- Black, Bronze or Satin Nickel metal finishes

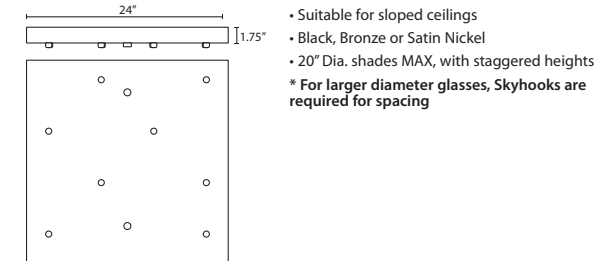
ADDITIONAL OPTIONS:

**277V:**  
For 277V option, add an "277" to the end of the item number, i.e. 1XT-174352-SN-277.

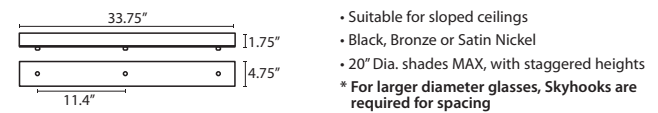
**0-10V Dimming:**  
For 0-10V Dimming option, add an "DIM010" to the end of the item number, i.e. 1XT-174352-SN-DIM010.

**15ft. CORD LENGTH:**  
For longer 15' cord, add an "L" to the end of the item number, i.e. 1XT-174352-SNL.

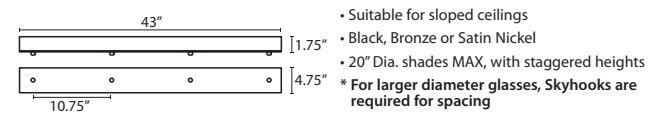
T28S 8 LIGHT SQUARE CANOPY



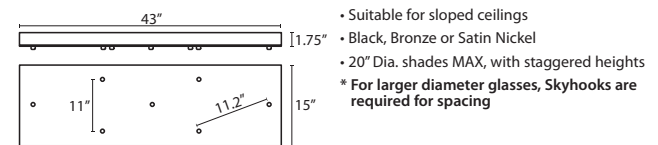
T23V 3 LIGHT BAR CANOPY



T24V 4 LIGHT BAR CANOPY



T27V 7 LIGHT BAR CANOPY



HOW TO ORDER A MULTILIGHT FIXTURE

Order your canopy with the selected 12V multi light pendants (indicated by "X" prefix) for the complete fixture:

Example: **1x T23XL-LED-SN** (3 Light Large Round LED Canopy)

**1x X-282453-SN** (Kona Pendant in White Starpoint)

**1x X-282484-SN** (Kona Pendant in Blue Starpoint)

**1x X-282490-SN** (Kona Pendant in Mango Starpoint)