



**E L I**

120V PENDANTS

location:  
**DAMP**

**SPECIFICATIONS:**

**DESCRIPTION**

The Eli Pendant features a double layer design creates a captivating visual effect. A clear outer globe encases a unique inner clear bubble glass. Light dances and refracts through the textured bubbles, casting delightful patterns and adding a touch of whimsy to your space.

**LAMPING**

**LED:** 9W Replaceable source, 120V, CL dimmable, 90+ CRI, 3000°K CCT, 800 lumens, 30,000 hours. Lamp included. (Standard CCT is 3000K, 3500K and 4000K are also available)

**DIFFUSER**

Outer shade shall be of clear glass with inner cylinder in clear bubble pattern  
16" Dia. x 15" H

**SUSPENSION**

**Cord-hung:** 10' SVT-type cord, complete with 5" decorative sleeve at the socketholder. Jacket coordinates with metal finish. Plated stamped steel construction. Black, Bronze or Satin Nickel. See next page for multi light options.

**MOUNTING**

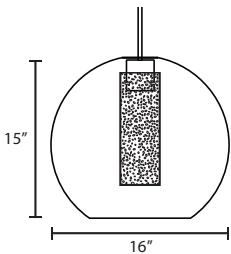
Installs directly to a 4" octagonal or round ceiling box. Suitable for sloped ceilings.

**LABELS**

UL or ETL Listed. Suitable for Damp Locations (interior use only).  
Consult factory concerning lower wattage labeling for energy requirements.



CLEAR/BUBBLE (ELICL)



**Project Information:**

**For ordering information, see next page**

All dimensions provided are nominal.  
Allowance must be made for dimensional tolerance in handcrafted glasses.

**REV 9/24**



ORDERING:

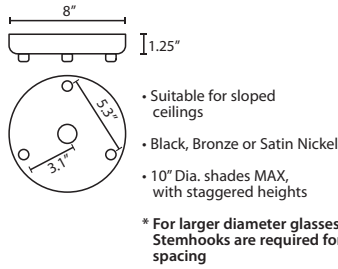
CONNECTION	SHADE OPTION	LAMP OPTIONS	METAL FINISH	OPTIONS
Cord Fixtures	<b>ELICL</b> Clear/Inner Bubble	<b>LED*</b> 9W LED	<b>BK</b> Black	<b>L</b> 15' Cord
<b>1JC</b> 1 Lt. Dome			<b>BR</b> Bronze	
<b>1JT</b> 1 Lt. Flat		*CCT options available (contact factory)	<b>SN</b> Satin Nickel	
<b>J</b> For Multi light Canopy				

Multilight Canopies Available, see pg. 17

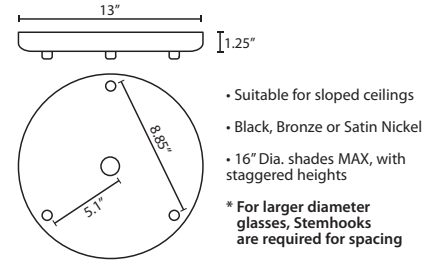
Ex. 1JT-ELICL-LED-SN  
Eli Pendant, Clear/Inner Bubble Glass Shade, Satin Nickel Finish, Flat Canopy

MULTIPOINT CANOPY OPTIONS FOR CORD PENDANTS

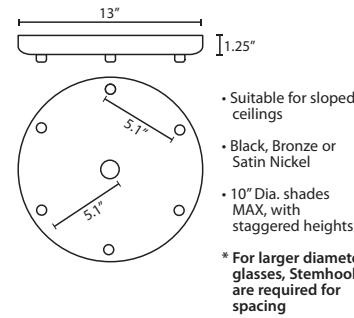
T33X 3 LIGHT ROUND CANOPY



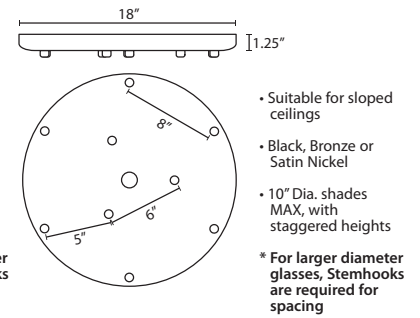
T33XL 3 LIGHT LARGE ROUND CANOPY



T36X 6 LIGHT ROUND CANOPY

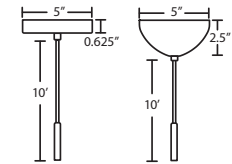


T39X 9 LIGHT ROUND CANOPY



PENDANT OPTIONS:

1JT / 1JC / J MONOPOINT PENDANT CANOPY



- Flat (1JT) or Dome (1JC) Canopy styles. Dome style allows adjustment without cutting cord.
- "J" option is pendant less canopy for multipoint canopy (options to the right)
- Suitable for sloped ceilings
- Cord: 10' SVT, 5" sleeve at socketholder (V Series utilizes SJT-type)
- Black, Bronze or Satin Nickel

ACCESSORIES:

**LONGER CORD LENGTHS:**  
Longer cord length of 15' available. Add an "L" to the end of the item number, i.e. 1JC-169707-SNL.

**LOW WATTAGE LABELING:**  
Incandescent fixture supplied with 16 watt relamp label. Add an "LW" to the end of the item number, i.e. 1JC-169707-SN-LW.

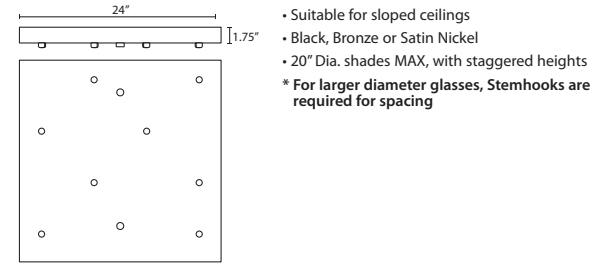
**CORD SLEEVES:**  
If concealing the cord is desired, order our 0.25" dia. metal sleeves. Each sleeve is 18" long and may be field cut.

- T118-BK** Black
- T118-BR** Bronze
- T118-SN** Satin Nickel

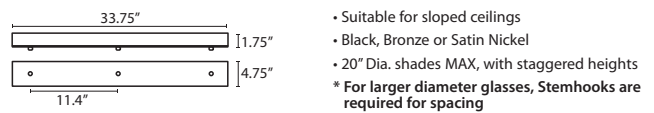
**STEMHOOKS:**  
Suspension hooks allow cord drops to be placed wherever desired. Suitable for sloped ceilings.

- T103BK** Black
- T103BR** Bronze
- T103SN** Satin Nickel

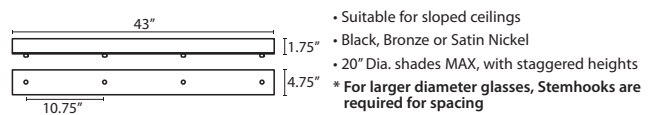
T38X 8 LIGHT SQUARE CANOPY



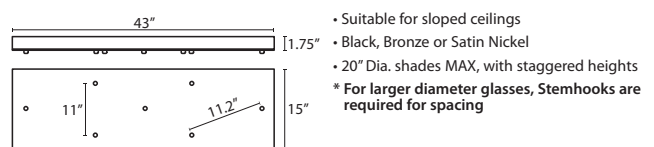
T33V 3 LIGHT BAR CANOPY



T34V 4 LIGHT BAR CANOPY



T37V 7 LIGHT BAR CANOPY



HOW TO ORDER A MULTILIGHT FIXTURE

Order your canopy with the selected 120V multi light pendants (indicated by "B" or "J" prefix) for the complete fixture:

- Example:** 1x T33XL-SN (3 Light Large Round Canopy)  
 1x J-ELICL-SN (Eli Pendant in Clear/Bubble)  
 1x J-ELICL-SN (Eli Pendant in Clear/Bubble)  
 1x J-ELICL-SN (Eli Pendant in Clear/Bubble)