



# DION

120V PENDANTS

location:  
**DAMP**

## SPECIFICATIONS:

### DESCRIPTION

Inspired by the famed fluted columns of Greek Corinthian architecture, the Dion pendant is truly timeless. Then accented by the shimmering lighting effect introduced by a square perf inner diffuser, thus adding a modern twist.

### LAMPING

**Standard:** 60W A19 Medium-based 120V, lamp not included. Dimmable with standard incandescent dimmer (not included).

**LED:** 9W Replaceable LED Lamp 120V, CL dimmable, 90+ CRI, 3000°K CCT, 800 lumens, 30,000 hours, lamp included. (Standard CCT is 3000K, 3500K and 4000K are also available)

### DIFFUSER

Shade shall be of Blue, Clear or Smoke glass with inner cross-cut white cylinder. 6.125" Dia. x 7.75" H

### SUSPENSION

**Cord-hung:** 10' SVT-type cord, complete with 5" decorative sleeve at the socketholder. Jacket coordinates with metal finish. Plated stamped steel construction. Black, Bronze or Satin Nickel. See next page for multi light options.

### MOUNTING

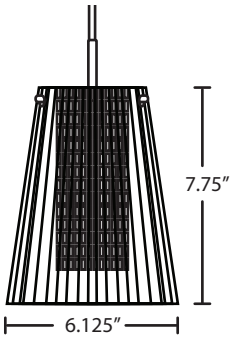
Installs directly to a 4" octagonal or round ceiling box. Suitable for sloped ceilings.

### LABELS

UL or ETL Listed. Suitable for Damp Locations (interior use only). Consult factory concerning lower wattage labeling for energy requirements.



DIONCL (CLEAR) IN BLACK FINISH & DIONSM (DIONSM)



DIONBL  
BLUE



**Project Information:**

**For ordering information, see next page**

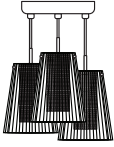
All dimensions provided are nominal. Allowance must be made for dimensional tolerance in handcrafted glasses.

REV 9/24



ORDERING:

CONNECTION	SHADE OPTIONS	LAMP OPTIONS	METAL FINISH	OPTIONS
Cord Fixtures	DIONBL Blue	(blank) E26 Socket	BK Black	L 15' Cord
1JC 1 Lt. Dome	DIONCL Clear	LED* 9W LED	BR Bronze	LW Lower
1JT 1 Lt. Flat	DIONSM Smoke		SN Satin Nickel	Wattage Labeling
J For Multi light Canopy		*CCT options available (contact factory)		

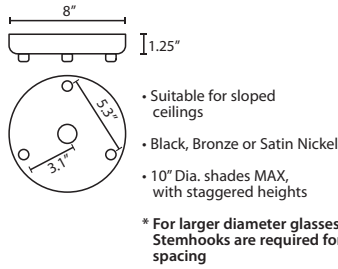


Multilight Canopies Available, see right

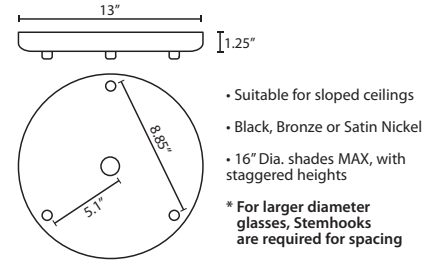
**Ex. 1JT-DIONCL-LED-SN**  
Dion Pendant, Clear Glass Shade, Satin Nickel Finish, Flat Canopy

MULTIPOINT CANOPY OPTIONS FOR CORD PENDANTS

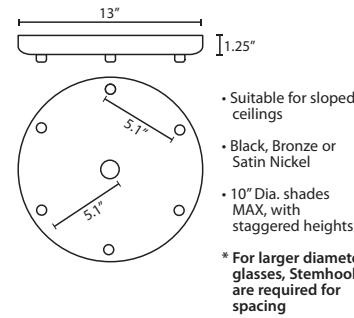
T33X 3 LIGHT ROUND CANOPY



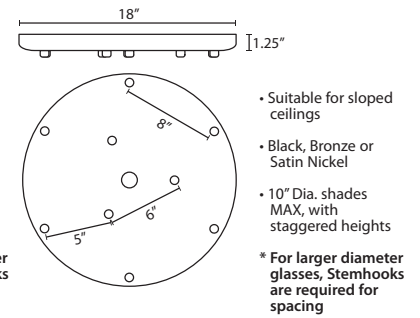
T33XL 3 LIGHT LARGE ROUND CANOPY



T36X 6 LIGHT ROUND CANOPY

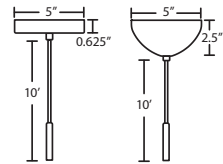


T39X 9 LIGHT ROUND CANOPY



PENDANT OPTIONS:

1JT / 1JC / J MONOPOINT PENDANT CANOPY



- Flat (1JT) or Dome (1JC) Canopy styles. Dome style allows adjustment without cutting cord.
- "J" option is pendant less canopy for multipoint canopy (options to the right)
- Suitable for sloped ceilings
- Cord: 10' SVT, 5" sleeve at socketholder (V Series utilizes SJT-type)
- Black, Bronze or Satin Nickel

ACCESSORIES:

**LONGER CORD LENGTHS:**  
Longer cord length of 15' available. Add an "L" to the end of the item number, i.e. 1JC-169707-SNL.

**LOW WATTAGE LABELING:**  
Incandescent fixture supplied with 16 watt relamp label. Add an "LW" to the end of the item number, i.e. 1JC-169707-SN-LW.

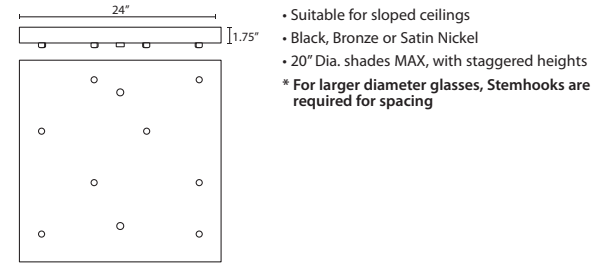
**CORD SLEEVES:**  
If concealing the cord is desired, order our 0.25" dia. metal sleeves. Each sleeve is 18" long and may be field cut.

- T118-BK Black
- T118-BR Bronze
- T118-SN Satin Nickel

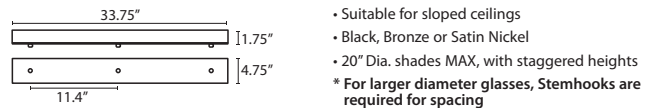
**STEMHOOKS:**  
Suspension hooks allow cord drops to be placed wherever desired. Suitable for sloped ceilings.

- T103BK Black
- T103BR Bronze
- T103SN Satin Nickel

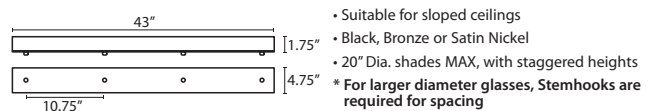
T38X 8 LIGHT SQUARE CANOPY



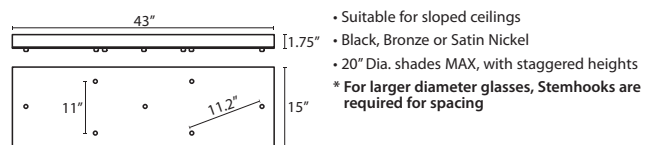
T33V 3 LIGHT BAR CANOPY



T34V 4 LIGHT BAR CANOPY



T37V 7 LIGHT BAR CANOPY



HOW TO ORDER A MULTILIGHT FIXTURE

Order your canopy with the selected 120V multi light pendants (indicated by "B" or "J" prefix) for the complete fixture:

**Example: 1x T33XL-SN (3 Light Large Round Canopy)**

- 1x J-DIONCL-SN (Dion Pendant in Clear)
- 1x J-DIONCL-SN (Dion Pendant in Clear)
- 1x J-DIONCL-SN (Dion Pendant in Clear)