



# CIERRO

120V PENDANTS

## SPECIFICATIONS:

### DESCRIPTION

Cierro is a softly handcrafted European glass in a tapered narrow cylinder, that creates a refined contemporary look.

### LAMPING

**Standard:** 100W A19 120V incandescent, lamp not included. Dimmable with standard incandescent dimmer (not included).

**LED:** 9W Replaceable source, 120V, dimmable, 90+ CRI, 3000°K CCT, 800 lumens, 30,000 hours. Lamp included. (Standard CCT is 3000K, 3500K and 4000K are also available)

### DIFFUSER

Shade shall be handcrafted glass of various decors. 5.375" Dia. x 9.375" H

**Opening sizes:** 40mm min. (top), 126mm min. (bottom), 3x6mm holes.

### SUSPENSION

**Cord-hung:** 10' SVT-type cord, complete with 5" decorative sleeve at the socketholder. Jacket coordinates with metal finish. Plated stamped steel construction. Black, Bronze or Satin Nickel. See next page for mult light options.

**Cable-hung:** 1x 10' aircraft-quality stainless steel cable support with 10' AWM-type cord. Jacket coordinates with metal finish. 5" Dia. dome canopy is plated stamped steel. Black, Bronze or Satin Nickel.

**Stem-mount:** Includes 4 connectable stem sections (3", 6", 12" and 18" lengths) plus telescoping piece for up to 3" adjustment, 10' max. 5" Dia. canopy (with swivel) and stem sections are plated steel. Black, Bronze or Satin Nickel.

\*Additional Stem Sections can be ordered under accessories.

### MOUNTING

Installs directly to a 4" octagonal or round ceiling box. Suitable for sloped ceilings.

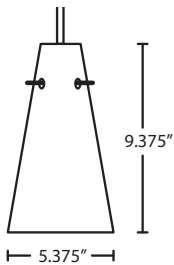
### LABELS

UL or ETL Listed. Suitable for Damp Locations (interior use only).

Consult factory concerning lower wattage labeling for energy requirements.



CIERRO SHOWN IN CHARTREUSE (412435) & COBALT BLUE MATTE (4124CM)



412407  
OPAL MATTE



4124VM  
VANILLA MATTE



412480  
AMBER MATTE



4124RM  
RUBY MATTE



### Project Information:

**For ordering information, see next page**

All dimensions provided are nominal. Allowance must be made for dimensional tolerance in handcrafted glasses.

REV 6/24

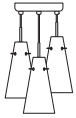


ORDERING:

CONNECTION	SHADE OPTIONS	LAMP OPTIONS	METAL FINISH	OPTIONS
Cord Fixture	<b>412407</b> Opal Matte	(blank) 100W A19	<b>BK</b> Black	<b>L</b> 15' cord
<b>1JC</b> 1 Lt. Dome	<b>412435</b> Chartreuse	<b>LED*</b> 9W LED 120V, dimmable	<b>BR</b> Bronze	<b>LW</b> Low wattage labeling
<b>1JT</b> 1 Lt. Flat	<b>412480</b> Amber Matte		<b>SN</b> Satin Nickel	
	<b>4124CM</b> Cobalt Blue Matte	*CCT options available (contact factory)		
Cable Fixture	<b>4124RM</b> Ruby Matte			
<b>1KX</b> 1 Lt. Dome	<b>4124VM</b> Vanilla Matte			

Stem Fixture  
**1TT** 1 Lt. Flat

Multi light Cord Fixture  
**J** For Multi light Canopy

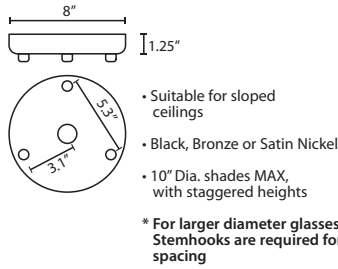


Multi-light Canopies Available, see right

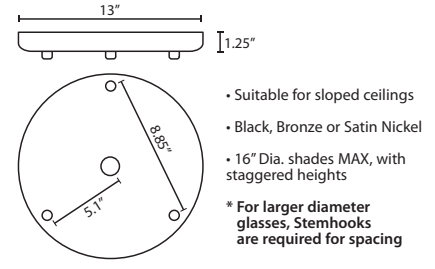
**Ex. 1JT-412435-SN**  
Cierro Pendant w/ Chartreuse Glass, Satin Nickel Finish, Flat Canopy

MULTIPOINT CANOPY OPTIONS FOR CORD PENDANTS

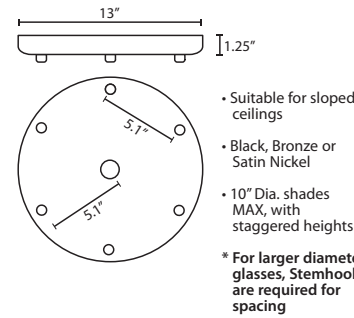
T33X 3 LIGHT ROUND CANOPY



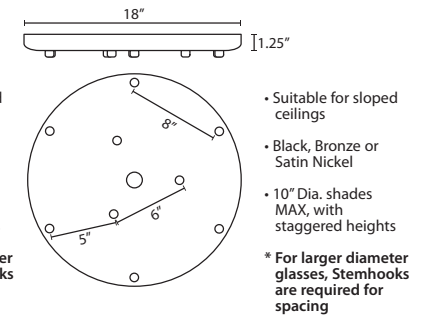
T33XL 3 LIGHT LARGE ROUND CANOPY



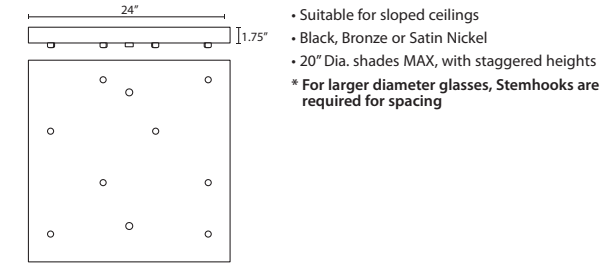
T36X 6 LIGHT ROUND CANOPY



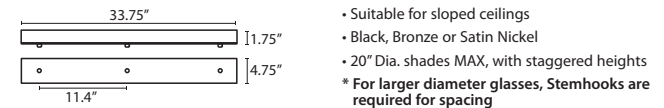
T39X 9 LIGHT ROUND CANOPY



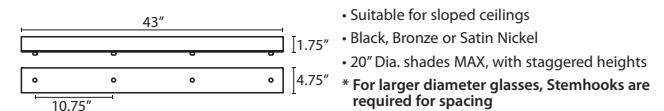
T38X 8 LIGHT SQUARE CANOPY



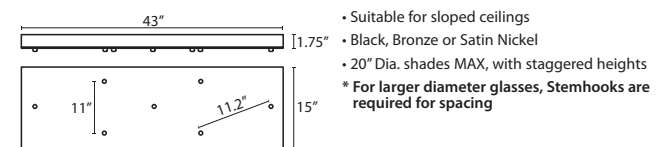
T33V 3 LIGHT BAR CANOPY



T34V 4 LIGHT BAR CANOPY

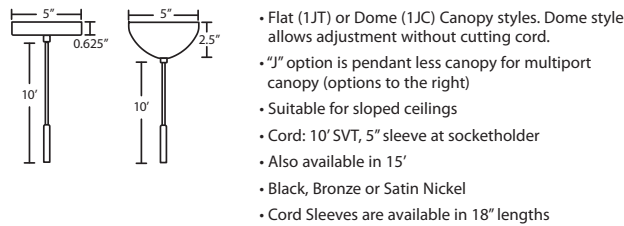


T37V 7 LIGHT BAR CANOPY

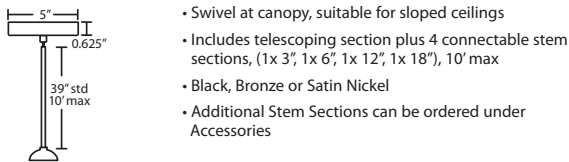


PENDANT OPTIONS:

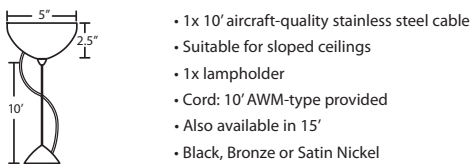
1JT / 1JC / J CORD-HUNG PENDANT



1TT STEM PENDANT



1KX CABLE-HUNG PENDANT



ACCESSORIES:

ADDITIONAL STEM SECTIONS:

Additional connecting stems are available to increase overall length of a Stem Pendant, up to 10' max. Telescoping adjustable section allows up to 3" movement.

<b>T20A-SN, BK or BR</b>	Adj. Section
<b>T203-SN, BK or BR</b>	3" Section
<b>T206-SN, BK or BR</b>	6" Section
<b>T212-SN, BK or BR</b>	12" Section
<b>T218-SN, BK or BR</b>	18" Section

LONGER CORD LENGTHS:

Longer cord length of 15' available. Add an "L" to the end of the item number, i.e. 1JC-169707-SN-L.

LOW WATTAGE LABELING:

Incandescent fixture supplied with 16 watt relamp label. Add an "LW" to the end of the item number, i.e. 1JC-169707-SN-LW.

CORD SLEEVES:

If concealing the cord is desired on a Cord-hung Pendant, order our 0.25" dia. metal sleeves. Each sleeve is 18" long and may be field cut.

<b>T118-BK</b>	Black
<b>T118-BR</b>	Bronze
<b>T118-SN</b>	Satin Nickel

STEMHOOKS:

Suspension hooks allow cord drops to be placed wherever desired. Suitable for sloped ceilings or for greater multi-light spacing

<b>T103BK</b>	Black
<b>T103BR</b>	Bronze
<b>T103SN</b>	Satin Nickel

HOW TO ORDER A MULTILIGHT FIXTURE

Order your canopy with the selected 120V multi light pendants (indicated by "B" or "J" prefix) for the complete fixture:

**Example: 1x T33X-SN (3 Light Round Canopy)**

**1x J-412435-SN (Cierro Pendant in Chartreuse)**

**1x J-4124CM-SN (Cierro Pendant in Cobalt Blue Matte)**

**1x J-4124RM-SN (Cierro Pendant in Ruby Matte)**