



# BELU

120V PENDANTS

location:  
**DAMP**

## SPECIFICATIONS:

### DESCRIPTION

The Belu pendant features a ribbed drum glass shade that adds a touch of elegance and sophistication to any space. The glass shade has horizontal ribbed detailing and a inner white inner cylinder, which creates a beautiful and distinctive visual effect when illuminated.

### LAMPING

**Standard:** 60W A19 Medium-based 120V, lamp not included. Dimmable with standard incandescent dimmer (not included).

**LED:** 5W Replaceable LED Lamp 120V, CL dimmable, 90+ CRI, 3000°K CCT, 550 lumens, 30,000 hours, lamp included.

### DIFFUSER

Shade shall be of clear glass with ribbed pattern with inner white cylinder. 3.5" Dia. x 7.875" H

### SUSPENSION

**Cord-hung:** 10' SVT-type cord, complete with 5" decorative sleeve at the socketholder. Jacket coordinates with metal finish. Plated stamped steel construction. Black, Bronze or Satin Nickel. See next page for multi light options.

### MOUNTING

Installs directly to a 4" octagonal or round ceiling box. Suitable for sloped ceilings.

### LABELS

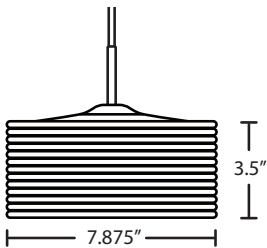
UL or ETL Listed. Suitable for Damp Locations (interior use only). Consult factory concerning lower wattage labeling for energy requirements.



CLEAR (BELUCL)



BELUSM  
SMOKE



**Project Information:**

**For ordering information, see next page**

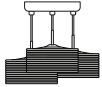
All dimensions provided are nominal. Allowance must be made for dimensional tolerance in handcrafted glasses.

REV 9/24



ORDERING:

CONNECTION	SHADE OPTIONS	LAMP OPTIONS	METAL FINISH	OPTIONS
Cord Fixtures	<b>BELUCL</b> Clear	(blank) E26 Socket	<b>BK</b> Black	<b>L</b> 15' Cord
<b>1JC</b> 1 Lt. Dome	<b>BELUSM</b> Smoke	<b>LED*</b> 5W LED	<b>BR</b> Bronze	<b>LW</b> Lower
<b>1JT</b> 1 Lt. Flat		*CCT options available (contact factory)	<b>SN</b> Satin Nickel	Wattage Labeling
<b>J</b> For Multi light Canopy				

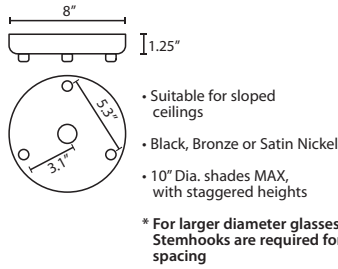


Multi-light Canopies Available, see pg. 17

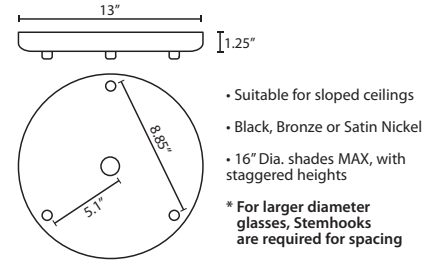
**Ex. 1JT-BELUCL-LED-SN**  
Belu Pendant, Clear Glass Shade, Satin Nickel Finish, Flat Canopy

MULTIPOINT CANOPY OPTIONS FOR CORD PENDANTS

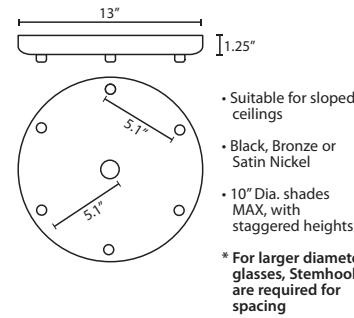
T33X 3 LIGHT ROUND CANOPY



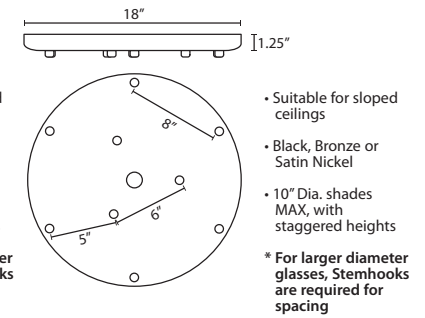
T33XL 3 LIGHT LARGE ROUND CANOPY



T36X 6 LIGHT ROUND CANOPY

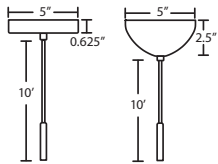


T39X 9 LIGHT ROUND CANOPY



PENDANT OPTIONS:

1JT / 1JC / J MONOPOINT PENDANT CANOPY



- Flat (1JT) or Dome (1JC) Canopy styles. Dome style allows adjustment without cutting cord.
- "J" option is pendant less canopy for multipoint canopy (options to the right)
- Suitable for sloped ceilings
- Cord: 10' SVT, 5" sleeve at socketholder (V Series utilizes SJT-type)
- Black, Bronze or Satin Nickel

ACCESSORIES:

**LONGER CORD LENGTHS:**  
Longer cord length of 15' available. Add an "L" to the end of the item number, i.e. 1JC-169707-SNL.

**LOW WATTAGE LABELING:**  
Incandescent fixture supplied with 16 watt relamp label. Add an "LW" to the end of the item number, i.e. 1JC-169707-SN-LW.

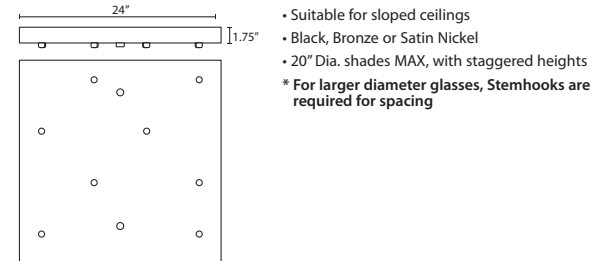
**CORD SLEEVES:**  
If concealing the cord is desired, order our 0.25" dia. metal sleeves. Each sleeve is 18" long and may be field cut.

- T118-BK** Black
- T118-BR** Bronze
- T118-SN** Satin Nickel

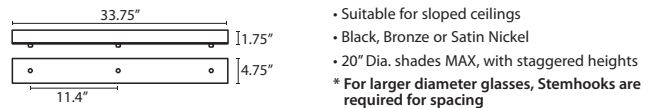
**STEMHOOKS:**  
Suspension hooks allow cord drops to be placed wherever desired. Suitable for sloped ceilings.

- T103BK** Black
- T103BR** Bronze
- T103SN** Satin Nickel

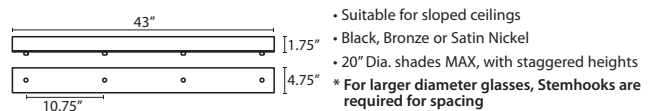
T38X 8 LIGHT SQUARE CANOPY



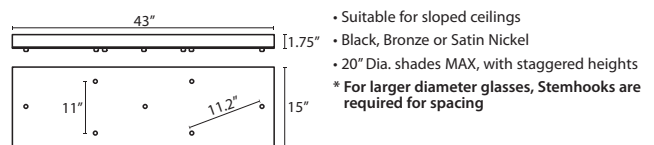
T33V 3 LIGHT BAR CANOPY



T34V 4 LIGHT BAR CANOPY



T37V 7 LIGHT BAR CANOPY



HOW TO ORDER A MULTILIGHT FIXTURE

Order your canopy with the selected 120V multi light pendants (indicated by "B" or "J" prefix) for the complete fixture:

- Example: 1x T33XL-SN (3 Light Large Round Canopy)**
- 1x J-BELUCL-SN (Belu Pendant in Clear)**
  - 1x J-BELUCL-SN (Belu Pendant in Clear)**
  - 1x J-BELUCL-SN (Belu Pendant in Clear)**