

# FIXTURE INSTALLATION GUIDE

Models 1WS Series (One Light Vanity 120V)



BESALIGHTING

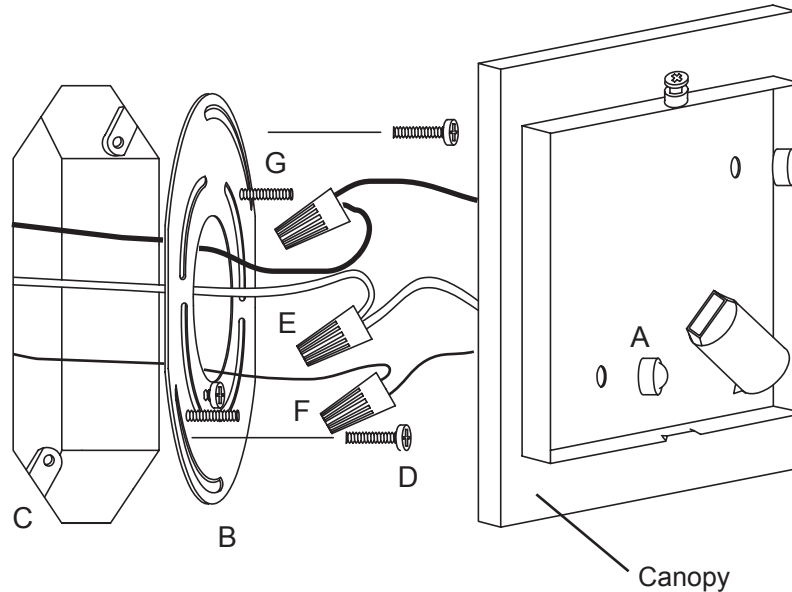
6695 Taylor Rd. Blacklick, OH 43004  
www.besalighting.com

1WS, Rev.2 2-09

**Caution: Turn off power to electrical box before installing**

## Use With these Models:

- 1WS Alex (7735xx)
- 1WS Ciro (7738xx)
- 1WS Paolo (7873xx)



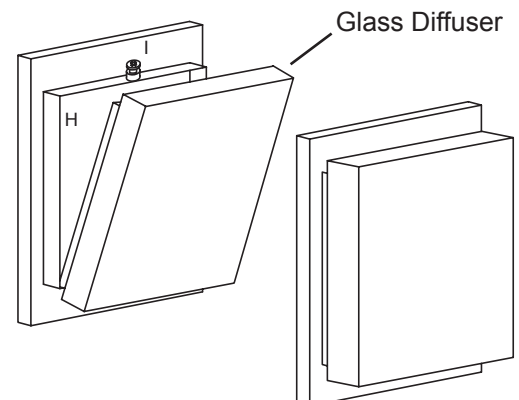
1. Carefully remove parts from package.
2. Remove the two Cap Nuts (A) to release the Backplate from the Mounting Bracket (B).
3. Attach the Mounting Bracket to the Outlet Box (C) with two Machine Screws (D) provided.
4. Connect the electrical leads from the fixture to the house supply wires, black to black and white to white, and secure with wirenuts provided (E). Connect the House Ground Wire to the Bare Copper Lead from the fixture, and secure with wirenut provided (F).
5. Align the circular openings on the Canopy with the Threaded Posts (G) on the Mounting Bracket. Push the Canopy over the Threaded Posts until the Canopy is flush with the wall, then secure with the Cap Nuts.
6. With the power still off, insert bulb of not more than the labeled wattage. Install Glass Diffuser.

### GLASS INSTALLATION:

Angle the Glass Diffuser and position the bottom into the Glassholder (H) as shown, then rotate the upper portion into the glassholder. If the glass does not seat properly, then the socket wires may be conflicting with the glass neck. Gently move the wires out of the way, then reinsert the glass. Once the Glassholder is properly seated, secure with the Retaining Screw (I).

**DO NOT OVERTIGHTEN THE RETAINING SCREW.**

**NOTE:** Glass Diffuser shown is for example purposes, the actual Glass Diffuser may be different in appearance.



**All electrical connections and the installation of this fixture must be in agreement with local codes, ordinances or the NEC (National Electric Code) or CEC (Canadian Electrical Code). Do not connect this fixture to an electrical system that does not provide a means for equipment grounding.**