

# FIXTURE INSTALLATION GUIDE

Models 2WZ Series (Two Light Vanity 120V)



BESALIGHTING

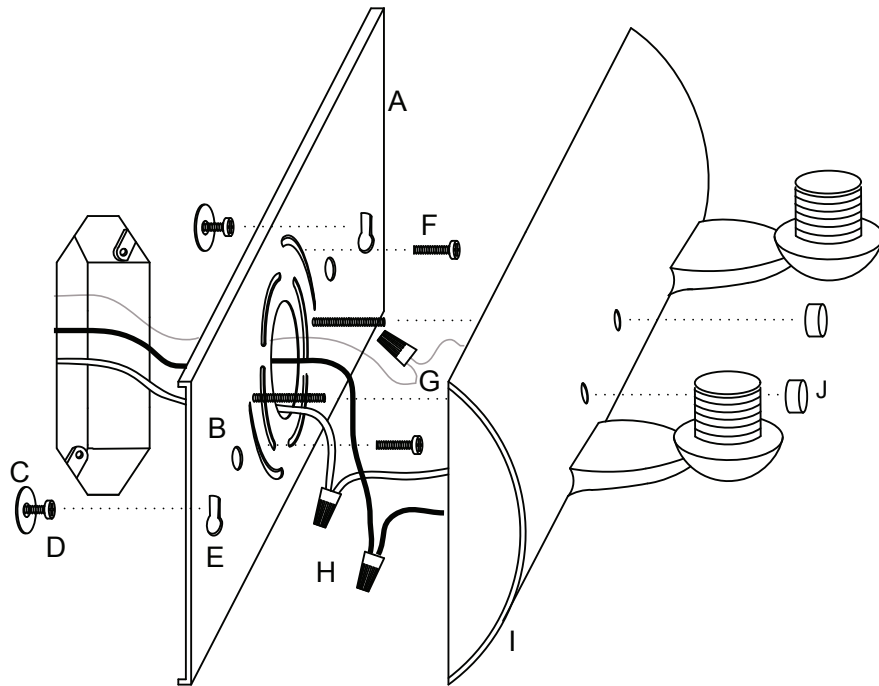
6695 Taylor Rd. Blacklick, OH 43004  
www.besalighting.com

2WZ, Rev.1 5-10

**Caution: Turn off power to electrical box before installing**

## Use With these Models:

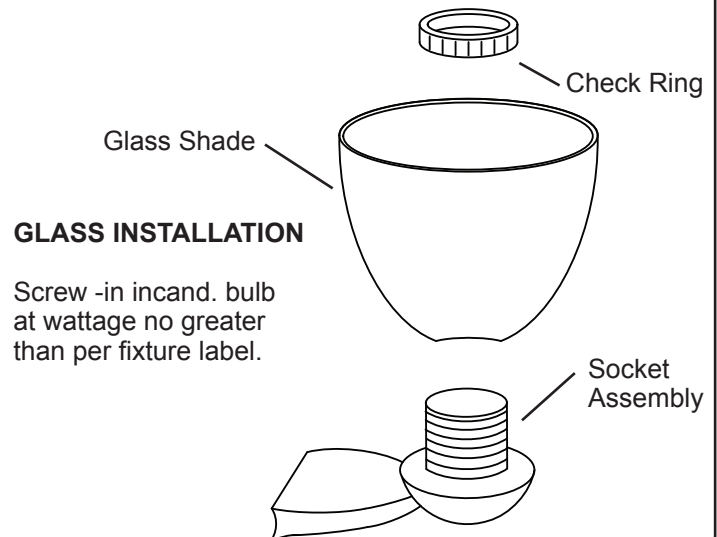
- 2WZ Bolla (4122xx)
- 2WZ Bria (478206)
- 2WZ Sasha II (7572xx)
- 2WZ Rise (449807)



1. Carefully unpack parts. Remove Cap Nuts (J) to release Mounting Plate (A) from Canopy.
2. **If Fixture is to be centered over outlet box, proceed to Step #3.** Or if Fixture will be offset from outlet box, then install Black Bushing into one of the two holes (B) on the Mounting Plate. Place Mounting Plate onto wall in desired location and mark for placement of Wall Anchors (C). After installing Anchors and Wood Screws (D), pull supply wires through the Black Bushing, align Keyhole Slots (E) over wood screws, then secure by tightening screws.
3. Place Mounting Plate (A) over outlet box for placement of Wall Anchors (C). After installing Anchors and Wood Screws (D), pull supply wires through the Black Bushing, align Keyhole Slots (E) over wood screws, then secure by tightening screws. Secure to outlet box with Machine Screws (F).

4. Attach the Fixture Ground wire to the supply ground and secure with Wire Nut connector (G).
5. Connect the fixture conductors to the supply conductors with wire nut connectors (H) as shown:  
White fixture wire to white supply wire and black fixture wire to black supply wire. Carefully push wires and wire nuts back into outlet box.

6. Place the fixture Canopy (I) over the outlet box so that the threaded posts in the Mounting Plate align with the two holes in canopy. Secure with two Cap Nuts (J).



All electrical connections and the installation of this fixture must be in agreement with local codes, ordinances or the NEC (National Electric Code) or CEC (Canadian Electrical Code). Do not connect this fixture to an electrical system that does not provide a means for equipment grounding.

# FIXTURE INSTALLATION GUIDE

Models 3WZ Series (Three Light Vanity 120V)



BESALIGHTING

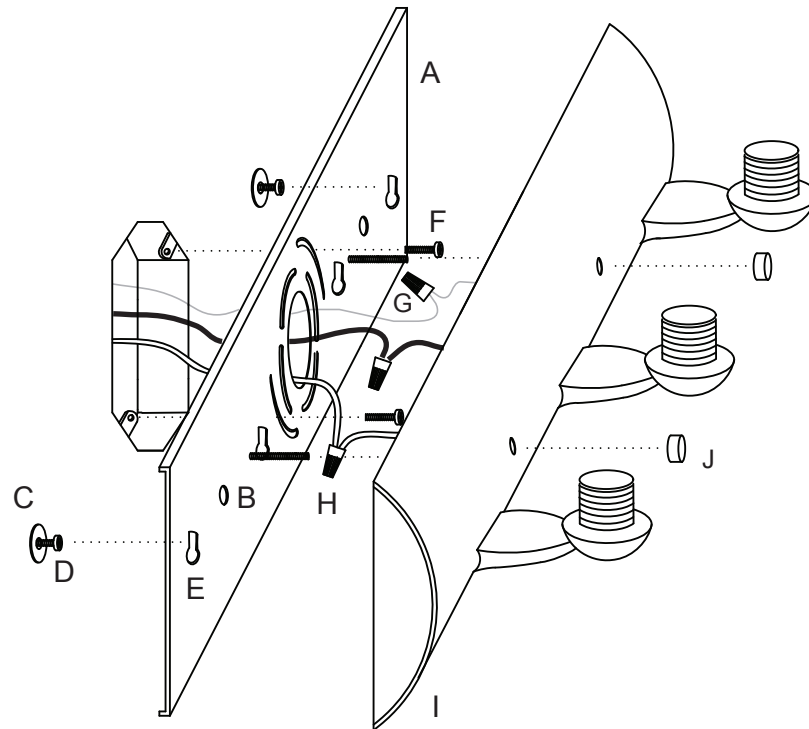
6695 Taylor Rd. Blacklick, OH 43004  
www.besalighting.com

3WZ, Rev.1 5-10

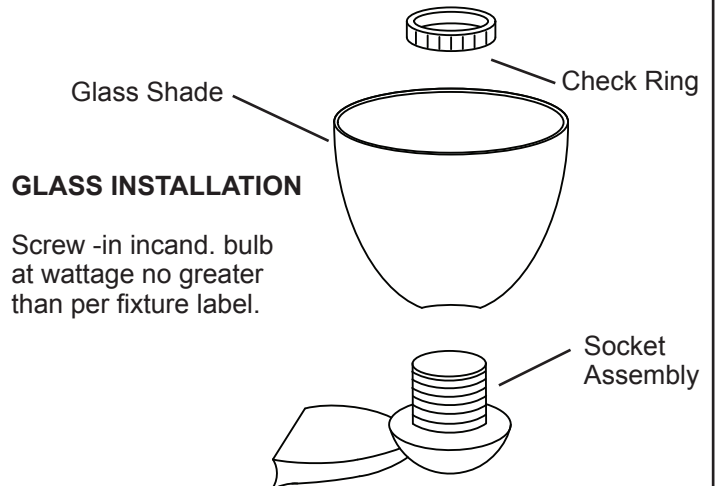
**Caution: Turn off power to electrical box before installing**

## Use With these Models:

- 3WZ Bolla (4122xx)
- 3WZ Bria (478206)
- 3WZ Sasha II (7572xx)
- 3WZ Rise (449807)



1. Carefully unpack parts. Remove Cap Nuts (J) to release Mounting Plate (A) from Canopy.
2. **If Fixture is to be centered over outlet box, proceed to Step #3.** Or if Fixture will be offset from outlet box, then install Black Bushing into one of the two holes (B) on the Mounting Plate. Place Mounting Plate onto wall in desired location and mark for placement of all four Wall Anchors (C) provided. After installing Anchors and Wood Screws (D), pull supply wires through the Black Bushing, align Keyhole Slots (E) over wood screws, then secure by tightening screws.
3. Place Mounting Plate (A) over outlet box for placement of Wall Anchors (C). After installing Anchors and Wood Screws (D), pull supply wires through the Black Bushing, align Keyhole Slots (E) over wood screws, then secure by tightening screws. Secure to outlet box with Machine Screws (F).
4. Attach the Fixture Ground wire to the supply ground and secure with Wire Nut connector (G).
5. Connect the fixture conductors to the supply conductors with wire nut connectors (H) as shown: White fixture wire to white supply wire and black fixture wire to black supply wire. Carefully push wires and wire nuts back into outlet box.
6. Place the fixture Canopy (I) over the outlet box so that the threaded posts in the Mounting Plate align with the two holes in canopy. Secure with two Cap Nuts (J).



**All electrical connections and the installation of this fixture must be in agreement with local codes, ordinances or the NEC (National Electric Code) or CEC (Canadian Electrical Code). Do not connect this fixture to an electrical system that does not provide a means for equipment grounding.**

# FIXTURE INSTALLATION GUIDE

Models 4WZ Series (Four Light Vanity 120V)



BESALIGHTING

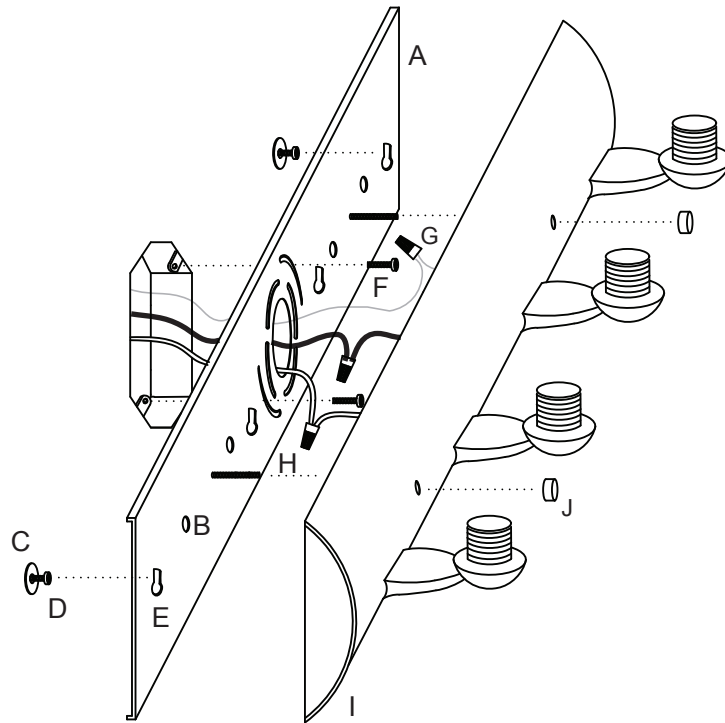
6695 Taylor Rd. Blacklick, OH 43004  
www.besalighting.com

4WZ, Rev.1 5-10

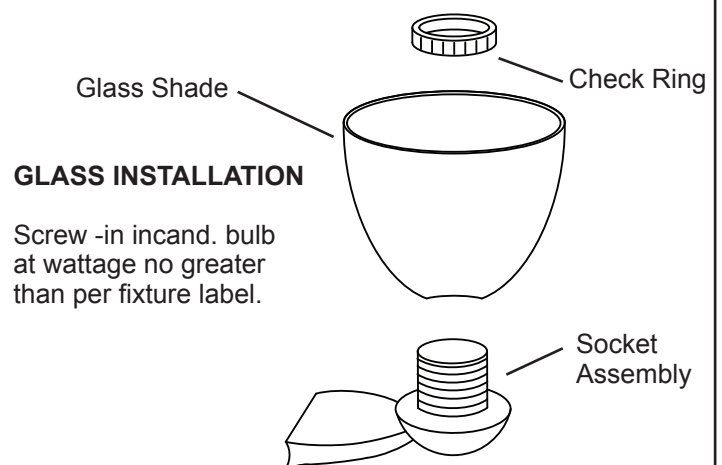
## Use With these Models:

- 4WZ Bolla (4122xx)
- 4WZ Bria (478206)
- 4WZ Sasha II (7572xx)
- 4WZ Rise (449807)

**Caution: Turn off power to electrical box before installing**



1. Carefully unpack parts. Remove Cap Nuts (J) to release Mounting Plate (A) from Canopy.
2. **If Fixture is to be centered over outlet box, proceed to Step #3.** Or if Fixture will be offset from outlet box, then install Black Bushing into one of the four holes (B) on the Mounting Plate. Place Mounting Plate onto wall in desired location and mark for placement of all four Wall Anchors (C) provided. After installing Anchors and Wood Screws (D), pull supply wires through the Black Bushing, align Keyhole Slots (E) over wood screws, then secure by tightening screws.
3. Place Mounting Plate (A) over outlet box for placement of Wall Anchors (C). After installing Anchors and Wood Screws (D), pull supply wires through the Black Bushing, align Keyhole Slots (E) over wood screws, then secure by tightening screws. Secure to outlet box with Machine Screws (F).
4. Attach the Fixture Ground wire to the supply ground and secure with Wire Nut connector (G).
5. Connect the fixture conductors to the supply conductors with wire nut connectors (H) as shown: White fixture wire to white supply wire and black fixture wire to black supply wire. Carefully push wires and wire nuts back into outlet box.
6. Place the fixture Canopy (I) over the outlet box so that the threaded posts in the Mounting Plate align with the two holes in canopy. Secure with two Cap Nuts (J).



All electrical connections and the installation of this fixture must be in agreement with local codes, ordinances or the NEC (National Electric Code) or CEC (Canadian Electrical Code). Do not connect this fixture to an electrical system that does not provide a means for equipment grounding.