

SPECIFICATIONS:

DESCRIPTION

Outdoor post-mount or wall mount lantern features handcrafted European glass.

LAMPING

Standard: 75W A19 120V, *lamps not included.*

CFL: 18W CFL 120V, *lamps not included.*

GU24 CFL: Self-ballasted GU24 lampholders. 18W max, 120V, *lamps not included.*

DIFFUSER

Glass diffuser is hand-painted in various decors with Clear inside glass. The Black and Bronze finishes are opaque, while the White is semi-translucent for increased light output. Inside glass may be softly frosted (FR) to enhance the appearance. Dimensions are 7.875" Dia. x 9.5" H.

CONSTRUCTION

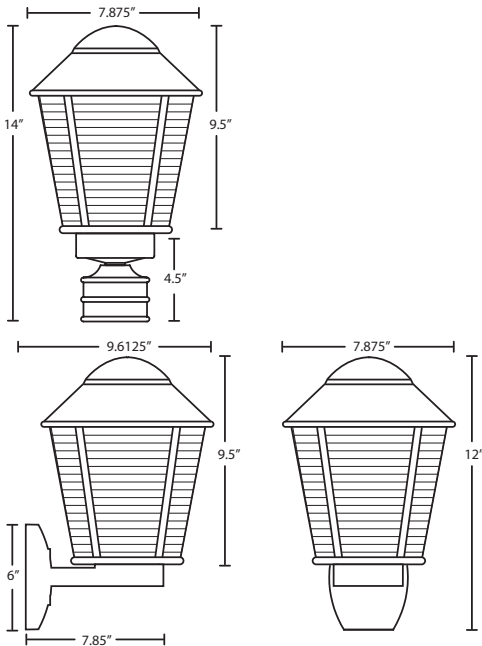
Post fitter or wall bracket cast aluminum with powder coated finish.

MOUNTING

Post fitter is suitable for installation onto a 3" post (*not included*). Wall bracket installs directly to a 4" octagonal outlet box, centered on fixture. 75°C supply wire required for incandescent lamping.

LABELS

UL or ETL Listed. Suitable for Wet Locations. May be used in Interior or Exterior applications.



310053-WALL-FR
White with Frost option with Wall Bracket



310057-POST
Bronze with Post Fitter



310053
White



310057-FR
Black with Frost Option



310098
Bronze



310098-FR
Bronze with Frost option

Project Information:

ORDERING:

3 | 1 | 0 | 0 | | | - | | | - | | | - | |

DECOR	LAMPING	MOUNTING	OPTIONS
53 White	(Blank) 1x 75W A19 (Incan)	POST Post Fitter	FR Frost
57 Black	F1 1x 18W CFL	WALL Wall Mount Bracket	
98 Bronze	GU24 1x GU24, 18W max		

All dimensions provided are nominal. Allowance must be made for dimensional tolerance in handcrafted glasses.