

FIXTURE INSTALLATION GUIDE

Model 1WW Series (One Light Swingarm 12V)



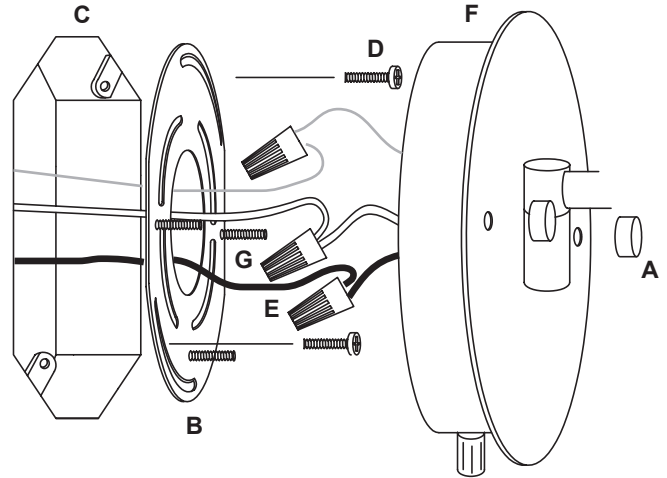
BESA LIGHTING

6695 Taylor Rd. Blacklick, OH 43004
www.besalighting.com

1WW.01, Rev.2 6-09

CAUTION: Turn off power to electrical box before installing

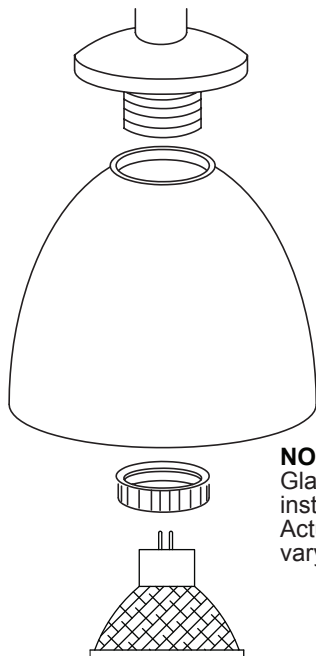
1. Carefully remove parts from package.
2. Remove the two Decorative Cap Nuts (A) to release the Mounting Bracket (B).
3. Attach the Mounting Bracket to the Outlet Box (C) with two Machine Screws (D) provided.
4. Connect the electrical leads from the fixture transformer to the house supply wires, black to black and white to white, and secure with wirenuts provided (E). Attach the house ground wire to the bare copper lead from the Canopy (F), and secure with the provided wirenut.
5. Align the circular openings on the canopy with the Threaded Posts (G) on the Mounting Plate. Push the Canopy over the Threaded Posts until the Canopy is flush with the wall, then secure with the Decorative Cap Nuts.



6. To attach the glass, you must first remove the Threaded Checkring and Washer from the socket. Place the glass shade over the socket and secure with the Threaded Checkring.

NOTE: If you are using our oval-shaped 551007 glass, with a slightly oversized opening, you will need to use the Washer provided.

7. Install the 50 watt Bipin MR16 bulb provided. When relamping this fixture **it is important to use a Lensed MR16 bulb.**
8. Restore power.
9. The On/Off operation and brightness level is controlled by the Rotary Knob located at the underside of the canopy. Simply rotate clockwise to increase brightness.



NOTE:
Glass Shade is for instructional purposes.
Actual Glass Shade may vary in size and shape.

All electrical connections and the installation of this fixture must be in agreement with local codes, ordinances or the NEC (National Electric Code) or CEC (Canadian Electrical Code).
Do not connect this fixture to an electrical system that does not provide a means for equipment grounding.