

FIXTURE INSTALLATION GUIDE

Models 1WZ Series (One Light Vanity 120V)



BESALIGHTING

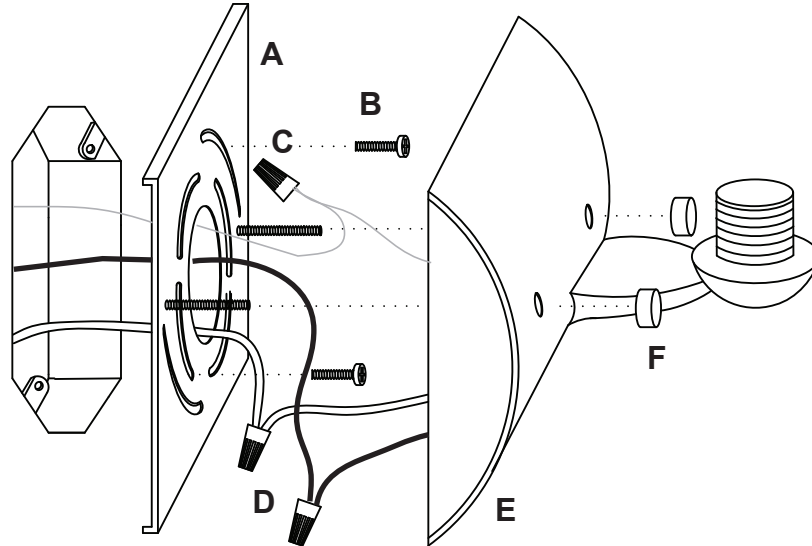
6695 Taylor Rd. Blacklick, OH 43004
www.besalighting.com

SW011.001, Rev.1 6-14

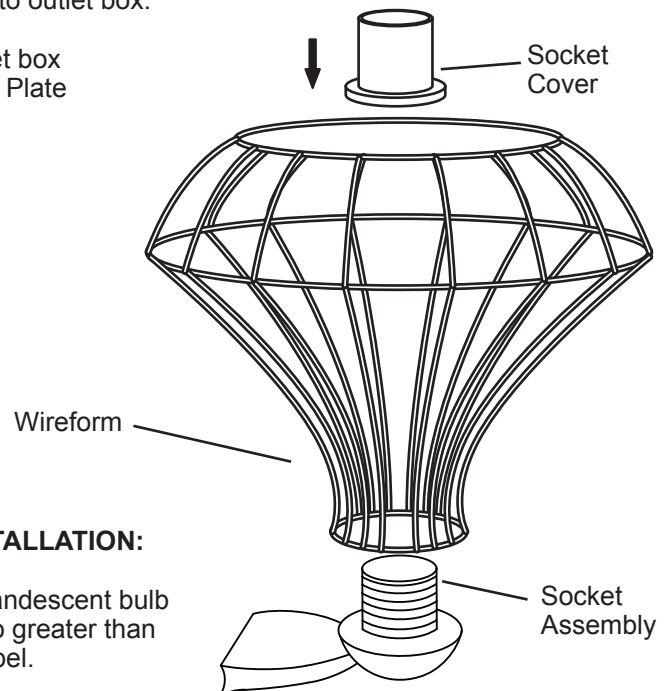
Caution: Turn off power to electrical box before installing

**Use With
these Models:**

- Spezza
(SPEZZA)



1. Carefully unpack parts. Remove Cap Nuts (F) to release Mounting Plate from Canopy.
2. Fasten the Mounting Plate (A) to Outlet Box with 1" Machine Screws (B).
3. Attach the Fixture Ground wire to the supply ground and secure with Wire Nut connector (C).
4. Connect the fixture conductors to the supply conductors with wire nut connectors (D) as shown: White fixture wire to white supply wire and black fixture wire to black supply wire. Carefully push wires and wire nuts back into outlet box.
5. Place the fixture Canopy (E) over the outlet box so that the threaded posts in the Mounting Plate align with the two holes in canopy. Secure with two Cap Nuts (F).



GLASS INSTALLATION:

Screw in incandescent bulb at wattage no greater than per fixture label.

All electrical connections and the installation of this fixture must be in agreement with local codes, ordinances or the NEC (National Electric Code) or CEC (Canadian Electrical Code). Do not connect this fixture to an electrical system that does not provide a means for equipment grounding.