

# CEILING FIXTURE INSTALLATION GUIDE

Models using TO357 Series (Double Ended Halogen 120V)



BESA LIGHTING

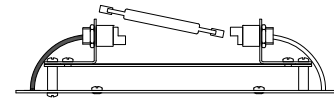
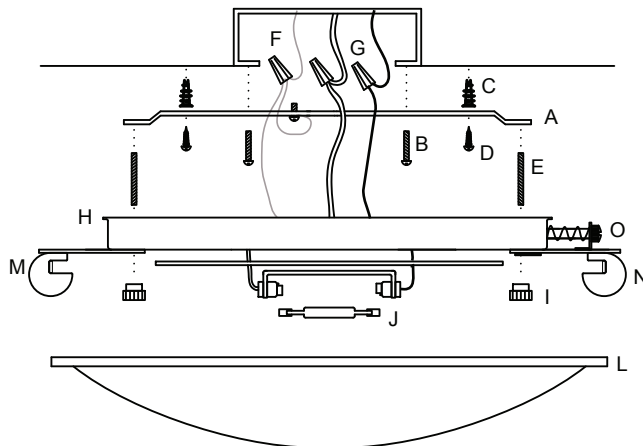
6695 Taylor Rd. Blacklick, OH 43004  
www.besalighting.com

TO357, Rev.6 6-10

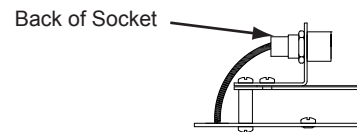
Caution: Turn off power to electrical box before installing

## Use With these Models:

- Trio 12 (9682xx)



**IMPORTANT:**  
Insert Lamp as shown



**IMPORTANT:**  
If socket should become jammed while lamping or relamping, push in the back portion of the socket to release.

1. Carefully unpack parts. Remove Mounting Strap (A) from Canopy (H). Position Mounting Strap onto Outlet box then mark ceiling for placement of Anchors (C). Install Anchors into ceiling, then attach Mounting Strap to Anchors with short Pan Head Screws (D) and to Outlet Box with Machine Screws (B).
2. Thread the Threaded Studs (E) into the Mounting Strap as shown.
3. Connect bare Ground Wires from fixture and Strap to supply ground with wire nut connector (F).
4. Connect the fixture conductors to the supply conductors with wire nut connectors (G) as shown: White fixture wires to white supply wire and black fixture wires to black supply wire. Carefully push wires and wire nuts back into outlet box.
5. Place the fixture Canopy (H) over the outlet box so that the Threaded Studs protrudes through the slotted holes in canopy.
6. Secure the Canopy to the ceiling with the Thumb Nuts (I), as shown.
7. Install provided bulb (J) into spring loaded sockets, inserting into socket with white wire first. Do not exceed the wattage marked (**150 Watts**), as that could cause fixture to overheat.
8. To attach Glass Diffuser, seat the Glass Rim (L) into the slots of the two Fixed Glass Knobs (M). Then lift up the glass to the Adjustable Glass Knob (N) and tighten Adjusting Screw (O) until the rim of glass positioned fully into the slot. **DO NOT OVERTIGHTEN.**
9. Restore power.

**CAUTION-RISK OF FIRE: Min 90C SUPPLY CONDUCTORS.** This fixture requires that the branch supply wires be rated: MIN 90C. Most dwellings built before 1985 have supply wire rated 60C. CONSULT A QUALIFIED ELECTRICIAN TO ENSURE CORRECT BRANCH CIRCUIT CONDUCTOR.

All electrical connections and the installation of this fixture must be in agreement with local codes, ordinances or the NEC (National Electric Code) or CEC (Canadian Electrical Code).

Do not connect this fixture to an electrical system that does not provide a means for equipment grounding.

# CEILING FIXTURE INSTALLATION GUIDE

Models using TO358 Series (Double Ended Halogen 120V)



BESA LIGHTING

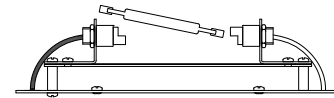
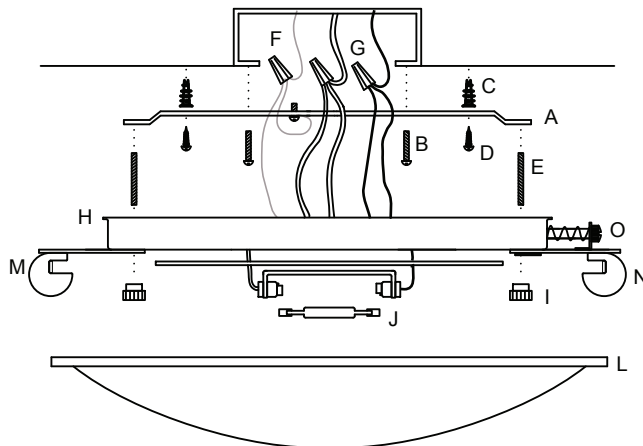
6695 Taylor Rd. Blacklick, OH 43004  
www.besalighting.com

TO358, Rev.6 6-10

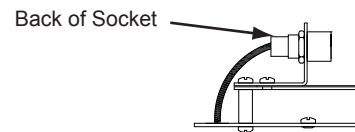
Caution: Turn off power to electrical box before installing

## Use With these Models:

- Trio 16 (9681xx)



**IMPORTANT:**  
Insert Lamp as shown



**IMPORTANT:**  
If socket should become jammed while lamping or relamping, push in the back portion of the socket to release.

1. Carefully unpack parts. Remove Mounting Strap (A) from Canopy (H). Position Mounting Strap onto Outlet box then mark ceiling for placement of Anchors (C). Install Anchors into ceiling, then attach Mounting Strap to Anchors with short Pan Head Screws (D) and to Outlet Box with Machine Screws (B).
2. Thread the Threaded Studs (E) into the Mounting Strap as shown.
3. Connect bare Ground Wires from fixture and Strap to supply ground with wire nut connector (F).
4. Connect the fixture conductors to the supply conductors with wire nut connectors (G) as shown: White fixture wires to white supply wire and black fixture wires to black supply wire. Carefully push wires and wire nuts back into outlet box.
5. Place the fixture Canopy (H) over the outlet box so that the Threaded Studs protrudes through the slotted holes in canopy.
6. Secure the Canopy to the ceiling with the Thumb Nuts (I), as shown.
7. Install provided bulb (J) into spring loaded sockets, inserting into socket with white wire first. Do not exceed the wattage marked (**150 Watts**), as that could cause fixture to overheat.
8. To attach Glass Diffuser, seat the Glass Rim (L) into the slots of the two Fixed Glass Knobs (M). Then lift up the glass to the Adjustable Glass Knob (N) and tighten Adjusting Screw (O) until the rim of glass positioned fully into the slot. **DO NOT OVERTIGHTEN.**
9. Restore power.

**CAUTION-RISK OF FIRE: Min 90C SUPPLY CONDUCTORS.** This fixture requires that the branch supply wires be rated: MIN 90C. Most dwellings built before 1985 have supply wire rated 60C. CONSULT A QUALIFIED ELECTRICIAN TO ENSURE CORRECT BRANCH CIRCUIT CONDUCTOR.

All electrical connections and the installation of this fixture must be in agreement with local codes, ordinances or the NEC (National Electric Code) or CEC (Canadian Electrical Code).

Do not connect this fixture to an electrical system that does not provide a means for equipment grounding.

# CEILING FIXTURE INSTALLATION GUIDE

Models using TO359 Series (Double Ended Halogen 120V)



BESA LIGHTING

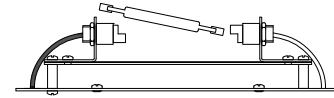
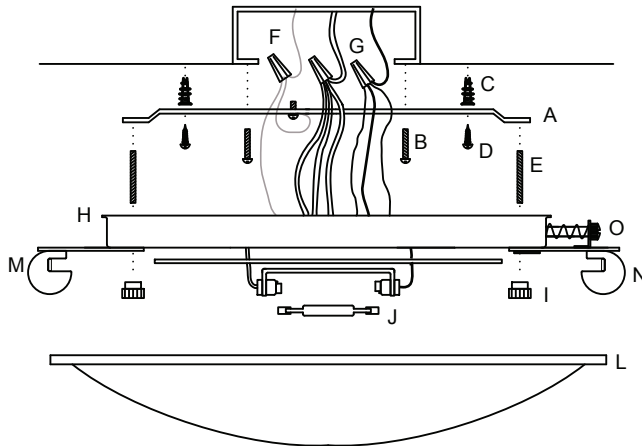
6695 Taylor Rd. Blacklick, OH 43004  
www.besalighting.com

TO359, Rev.6 6-10

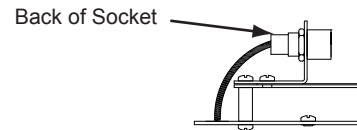
Caution: Turn off power to electrical box before installing

## Use With these Models:

- Trio 20 (9680xx)



**IMPORTANT:**  
Insert Lamp as shown



**IMPORTANT:**  
If socket should become jammed while lamping or relamping, push in the back portion of the socket to release.

1. Carefully unpack parts. Remove Mounting Strap (A) from Canopy (H). Position Mounting Strap onto Outlet box then mark ceiling for placement of Anchors (C). Install Anchors into ceiling, then attach Mounting Strap to Anchors with short Pan Head Screws (D) and to Outlet Box with Machine Screws (B).
2. Thread the Threaded Studs (E) into the Mounting Strap as shown.
3. Connect bare Ground Wires from fixture and Strap to supply ground with wire nut connector (F).
4. Connect the fixture conductors to the supply conductors with wire nut connectors (G) as shown: White fixture wires to white supply wire and black fixture wires to black supply wire. Carefully push wires and wire nuts back into outlet box.
5. Place the fixture Canopy (H) over the outlet box so that the Threaded Studs protrudes through the slotted holes in canopy.
6. Secure the Canopy to the ceiling with the Thumb Nuts (I), as shown.
7. Install provided bulb (J) into spring loaded sockets, inserting into socket with white wire first. Do not exceed the wattage marked (**150 Watts**), as that could cause fixture to overheat.
8. To attach Glass Diffuser, seat the Glass Rim (L) into the slots of the two Fixed Glass Knobs (M). Then lift up the glass to the Adjustable Glass Knob (N) and tighten Adjusting Screw (O) until the rim of glass positioned fully into the slot. **DO NOT OVERTIGHTEN.**
9. Restore power.

**CAUTION-RISK OF FIRE: Min 90C SUPPLY CONDUCTORS.** This fixture requires that the branch supply wires be rated: MIN 90C. Most dwellings built before 1985 have supply wire rated 60C. CONSULT A QUALIFIED ELECTRICIAN TO ENSURE CORRECT BRANCH CIRCUIT CONDUCTOR.

All electrical connections and the installation of this fixture must be in agreement with local codes, ordinances or the NEC (National Electric Code) or CEC (Canadian Electrical Code).

Do not connect this fixture to an electrical system that does not provide a means for equipment grounding.

# CEILING FIXTURE INSTALLATION GUIDE

Models using TO367 Series (Med. Base 120V)



BESA LIGHTING

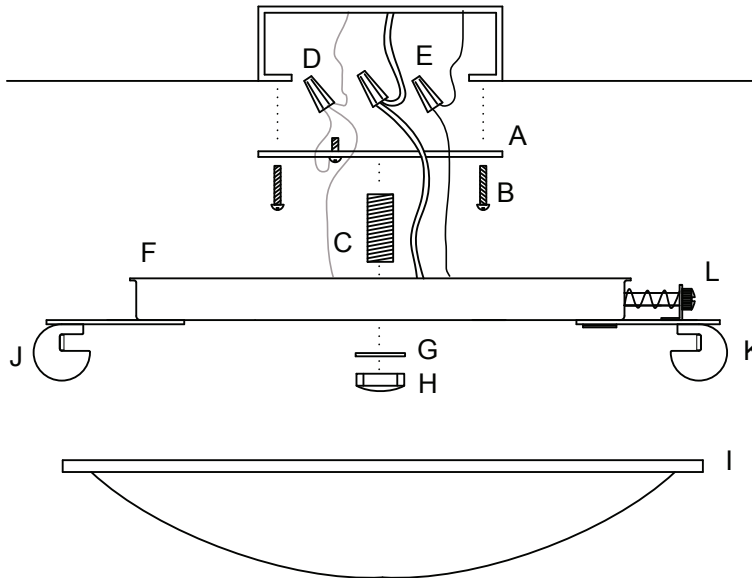
6695 Taylor Rd. Blacklick, OH 43004  
www.besalighting.com

TO367, Rev.5 6-10

Caution: Turn off power to electrical box before installing

## Use With these Models:

- Trio 12 (9682xx)



1. Carefully unpack parts. Fasten Mounting Strap (A) to Outlet box with Machine Screws (B).
2. Thread the Threaded Nipple (C) into the Mounting Strap as shown.
3. Connect bare Ground Wires from fixture and Strap to supply ground with wire nut connector (D).
4. Connect the fixture conductors to the supply conductors with wire nut connectors (E) as shown: White fixture wires to white supply wire and black fixture wires to black supply wire. Carefully push wires and wire nuts back into outlet box.
5. Place the fixture Canopy (F) over the outlet box so that the Threaded Studs protrudes through the two mounting holes in canopy.
6. Secure the Canopy to the ceiling with the Star Washer (G) and Cap Nut (H), as shown. Tighten the cap nut firmly by using Pliers.
7. Insert screw-in incandescent bulb(s) into socket at wattage no greater than marked on the fixture label **MAX 100W Type A 120V**.
8. To attach Glass Diffuser, seat the Glass Rim (I) into the slots of the two Fixed Glass Knobs (J). Then lift up the glass to the Adjustable Glass Knob (K) and tighten Adjusting Screw (L) until the rim of glass positioned fully into the slot. **DO NOT OVERTIGHTEN**.
9. Restore power.

**CAUTION-RISK OF FIRE: Min 90C SUPPLY CONDUCTORS.** This fixture requires that the branch supply wires be rated: MIN 90C. Most dwellings built before 1985 have supply wire rated 60C. CONSULT A QUALIFIED ELECTRICIAN TO ENSURE CORRECT BRANCH CIRCUIT CONDUCTOR.

All electrical connections and the installation of this fixture must be in agreement with local codes, ordinances or the NEC (National Electric Code) or CEC (Canadian Electrical Code). Do not connect this fixture to an electrical system that does not provide a means for equipment grounding.

# CEILING FIXTURE INSTALLATION GUIDE

Models using TO368 Series (Med Base 120V)



BESALIGHTING

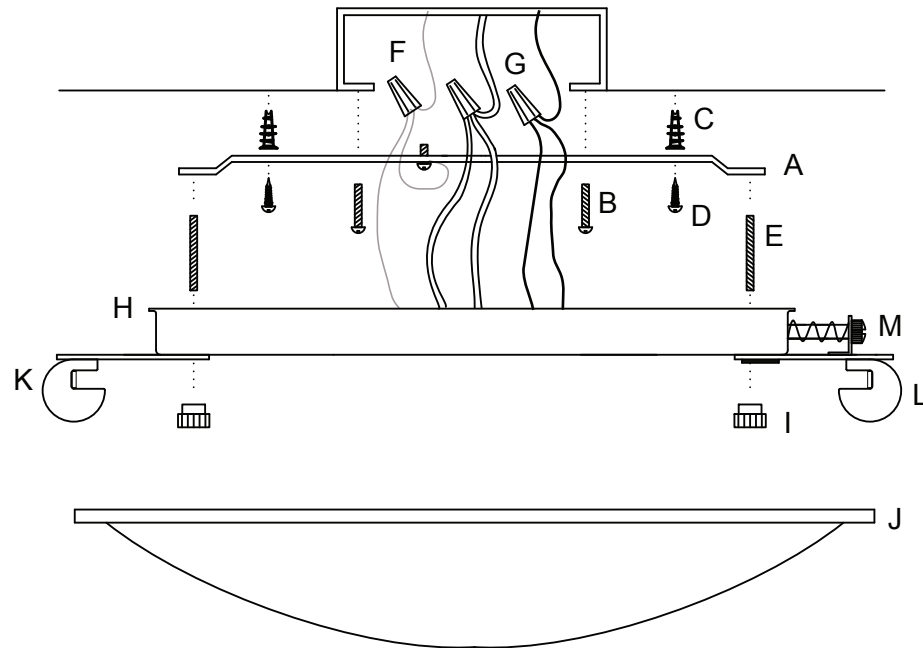
6695 Taylor Rd. Blacklick, OH 43004  
www.besalighting.com

TO368, Rev.4 6-10

Caution: Turn off power to electrical box before installing

## Use With these Models:

- Trio 16 (9681xx)



1. Carefully unpack parts. Remove Mounting Strap (A) from Canopy (H). Position Mounting Strap onto Outlet box then mark ceiling for placement of Anchors (C). Install Anchors into ceiling, then attach Mounting Strap to Anchors with short Pan Head Screws (D) and to Outlet Box with Machine Screws (B).
2. Thread the Threaded Studs (E) into the Mounting Strap as shown.
3. Connect bare Ground Wires from fixture and Strap to supply ground with wire nut connector (F).
4. Connect the fixture conductors to the supply conductors with wire nut connectors (G) as shown: White fixture wires to white supply wire and black fixture wires to black supply wire. Carefully push wires and wire nuts back into outlet box.
5. Place the fixture Canopy (H) over the outlet box so that the Threaded Studs protrudes through the slotted holes in canopy.
6. Secure the Canopy to the ceiling with the Thumb Nuts (I), as shown.
7. Insert screw-in incandescent bulb(s) into socket at wattage no greater than marked on the fixture label **MAX 100W Type A 120V**.
8. To attach Glass Diffuser, seat the Glass Rim (J) into the slots of the two Fixed Glass Knobs (K). Then lift up the glass to the Adjustable Glass Knob (L) and tighten Adjusting Screw (M) until the rim of glass positioned fully into the slot. **DO NOT OVERTIGHTEN.**
9. Restore power.

**CAUTION-RISK OF FIRE: Min 90C SUPPLY CONDUCTORS.** This fixture requires that the branch supply wires be rated: MIN 90C. Most dwellings built before 1985 have supply wire rated 60C. CONSULT A QUALIFIED ELECTRICIAN TO ENSURE CORRECT BRANCH CIRCUIT CONDUCTOR.

All electrical connections and the installation of this fixture must be in agreement with local codes, ordinances or the NEC (National Electric Code) or CEC (Canadian Electrical Code).

Do not connect this fixture to an electrical system that does not provide a means for equipment grounding.

# CEILING FIXTURE INSTALLATION GUIDE

Models using TO369 Series (Med Base 120V)



BESALIGHTING

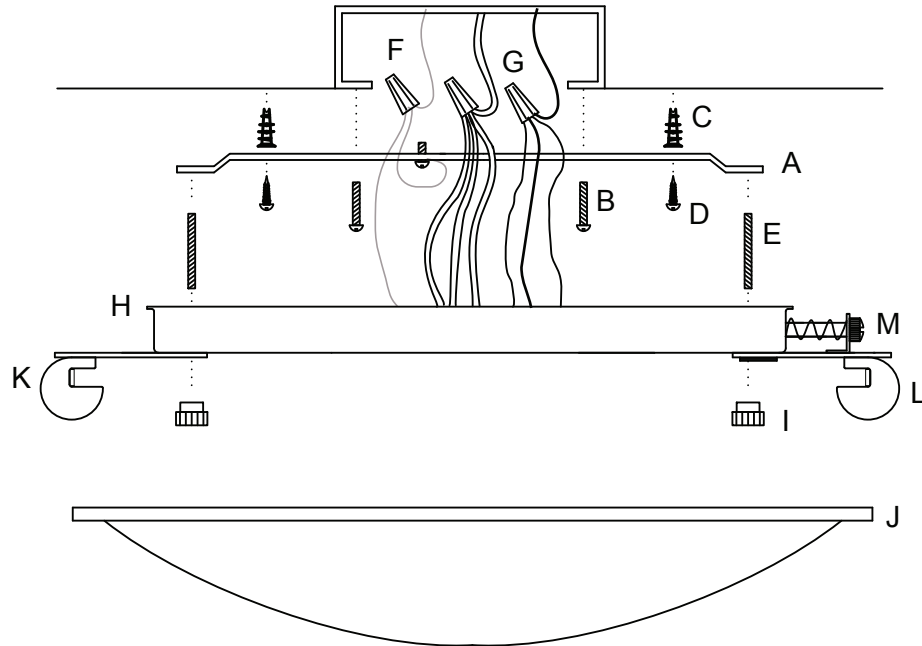
6695 Taylor Rd. Blacklick, OH 43004  
www.besalighting.com

TO369, Rev.5 6-10

Caution: Turn off power to electrical box before installing

## Use With these Models:

- Trio 20 (9680xx)



1. Carefully unpack parts. Remove Mounting Strap (A) from Canopy (H). Position Mounting Strap onto Outlet box then mark ceiling for placement of Anchors (C). Install Anchors into ceiling, then attach Mounting Strap to Anchors with short Pan Head Screws (D) and to Outlet Box with Machine Screws (B).
2. Thread the Threaded Studs (E) into the Mounting Strap as shown.
3. Connect bare Ground Wires from fixture and Strap to supply ground with wire nut connector (F).
4. Connect the fixture conductors to the supply conductors with wire nut connectors (G) as shown: White fixture wires to white supply wire and black fixture wires to black supply wire. Carefully push wires and wire nuts back into outlet box.
5. Place the fixture Canopy (H) over the outlet box so that the Threaded Studs protrudes through the slotted holes in canopy.
6. Secure the Canopy to the ceiling with the Thumb Nuts (I), as shown.
7. Insert screw-in incandescent bulb(s) into socket at wattage no greater than marked on the fixture label **MAX 100W Type A 120V**.
8. To attach Glass Diffuser, seat the Glass Rim (J) into the slots of the two Fixed Glass Knobs (K). Then lift up the glass to the Adjustable Glass Knob (L) and tighten Adjusting Screw (M) until the rim of glass positioned fully into the slot. **DO NOT OVERTIGHTEN.**
9. Restore power.

**CAUTION-RISK OF FIRE: Min 90C SUPPLY CONDUCTORS.** This fixture requires that the branch supply wires be rated: MIN 90C. Most dwellings built before 1985 have supply wire rated 60C. CONSULT A QUALIFIED ELECTRICIAN TO ENSURE CORRECT BRANCH CIRCUIT CONDUCTOR.

All electrical connections and the installation of this fixture must be in agreement with local codes, ordinances or the NEC (National Electric Code) or CEC (Canadian Electrical Code).

Do not connect this fixture to an electrical system that does not provide a means for equipment grounding.