

CEILING FIXTURE INSTALLATION GUIDE

Models using P300113 Series (G9 Base 120V)



BESA LIGHTING

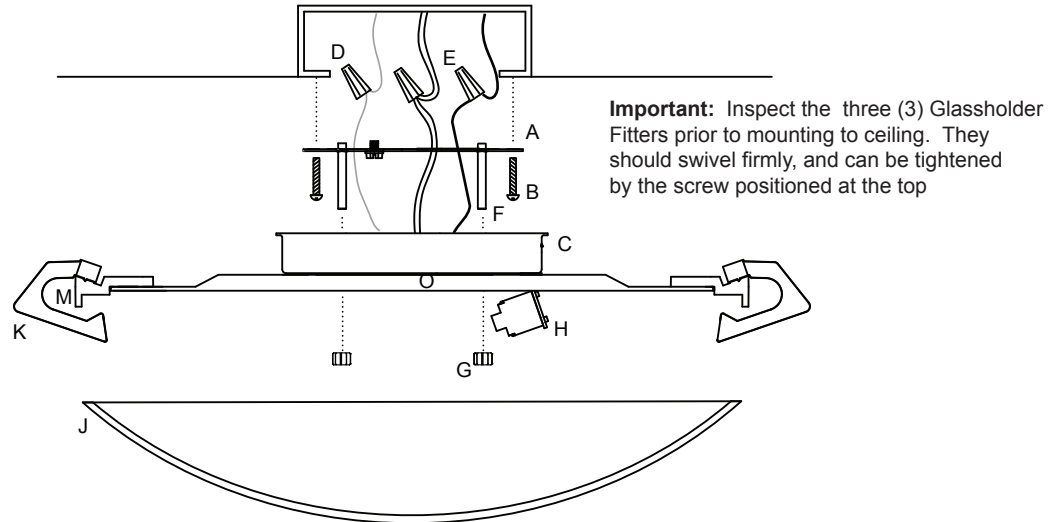
6695 Taylor Rd. Blacklick, OH 43004
www.besalighting.com

P300113, Rev.1 5-10

Caution: Turn off power to electrical box before installing

Use With these Models:

- Sonya 13 (841725)



Important: Inspect the three (3) Glassholder Fitters prior to mounting to ceiling. They should swivel firmly, and can be tightened by the screw positioned at the top

1. Carefully unpack parts. Remove Mounting Plate (A) from Canopy (C). Position Mounting Plate onto Outlet box and secure with Machine Screws (B).
2. Connect bare Ground Wires from fixture and Strap to supply ground with wire nut connector (D).
3. Connect the fixture conductors to the supply conductors with wire nut connectors (E) as shown: White fixture wires to white supply wire and black fixture wires to black supply wire. Carefully push wires and wire nuts back into outlet box.
5. Place the fixture Canopy (C) over the outlet box so that the Threaded Studs (F) protrudes through the holes in canopy and reflector.
6. Secure the Canopy to the ceiling with the Thumb Nuts (G), as shown.
7. Install provided bulb into the G9 Socket (H). Do not exceed the wattage marked (**100 Watts**), as that could cause fixture to overheat.
8. To attach Glass Diffuser (J), open each of the three Glassholder Fitters (K), by rotating 90 degrees. Then lift up the Glass Diffuser until it is resting against the Inner Stop (M) of the Glassholder Fitters, then rotate each Glassholder Fitter back into position.
9. Restore power.

CAUTION-RISK OF FIRE: Min 90C SUPPLY CONDUCTORS. This fixture requires that the branch supply wires be rated: MIN 90C. Most dwellings built before 1985 have supply wire rated 60C. CONSULT A QUALIFIED ELECTRICIAN TO ENSURE CORRECT BRANCH CIRCUIT CONDUCTOR.

All electrical connections and the installation of this fixture must be in agreement with local codes, ordinances or the NEC (National Electric Code) or CEC (Canadian Electrical Code).

Do not connect this fixture to an electrical system that does not provide a means for equipment grounding.

CEILING FIXTURE INSTALLATION GUIDE

Models using P300114 Series (G9 Base 120V)



BESA LIGHTING

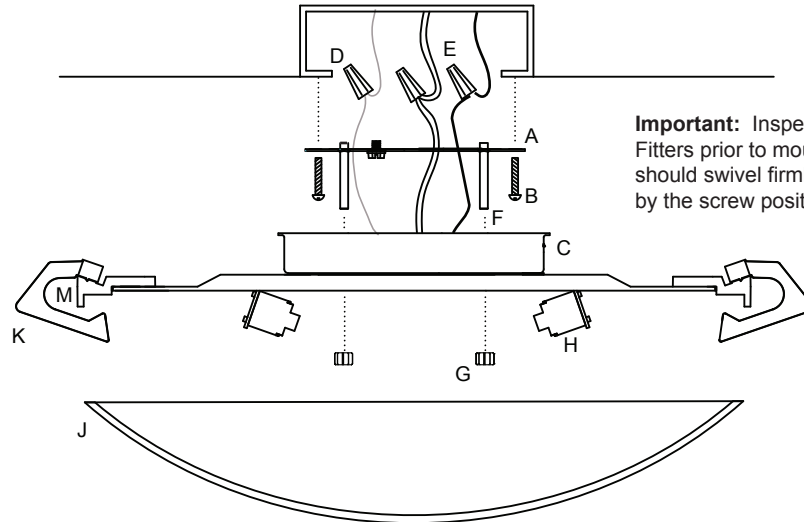
6695 Taylor Rd. Blacklick, OH 43004
www.besalighting.com

P300114, Rev.1 5-10

Caution: Turn off power to electrical box before installing

Use With these Models:

- Sonya 16 (841825)



Important: Inspect the three (3) Glassholder Fitters prior to mounting to ceiling. They should swivel firmly, and can be tightened by the screw positioned at the top

1. Carefully unpack parts. Remove Mounting Plate (A) from Canopy (C). Position Mounting Plate onto Outlet box and secure with Machine Screws (B).
2. Connect bare Ground Wires from fixture and Strap to supply ground with wire nut connector (D).
3. Connect the fixture conductors to the supply conductors with wire nut connectors (E) as shown: White fixture wires to white supply wire and black fixture wires to black supply wire. Carefully push wires and wire nuts back into outlet box.
5. Place the fixture Canopy (C) over the outlet box so that the Threaded Studs (F) protrudes through the holes in canopy and reflector.
6. Secure the Canopy to the ceiling with the Thumb Nuts (G), as shown.
7. Install provided bulbs into the G9 Sockets (H). Do not exceed the wattage marked (**100 Watts**), as that could cause fixture to overheat.
8. To attach Glass Diffuser (J), open each of the three Glassholder Fitters (K), by rotating 90 degrees. Then lift up the Glass Diffuser until it is resting against the Inner Stop (M) of the Glassholder Fitters, then rotate each Glassholder Fitter back into position.
9. Restore power.

CAUTION-RISK OF FIRE: Min 90C SUPPLY CONDUCTORS. This fixture requires that the branch supply wires be rated: MIN 90C. Most dwellings built before 1985 have supply wire rated 60C. CONSULT A QUALIFIED ELECTRICIAN TO ENSURE CORRECT BRANCH CIRCUIT CONDUCTOR.

All electrical connections and the installation of this fixture must be in agreement with local codes, ordinances or the NEC (National Electric Code) or CEC (Canadian Electrical Code).

Do not connect this fixture to an electrical system that does not provide a means for equipment grounding.

CEILING FIXTURE INSTALLATION GUIDE

Models using P300115 Series (G9 Base 120V)



BESALIGHTING

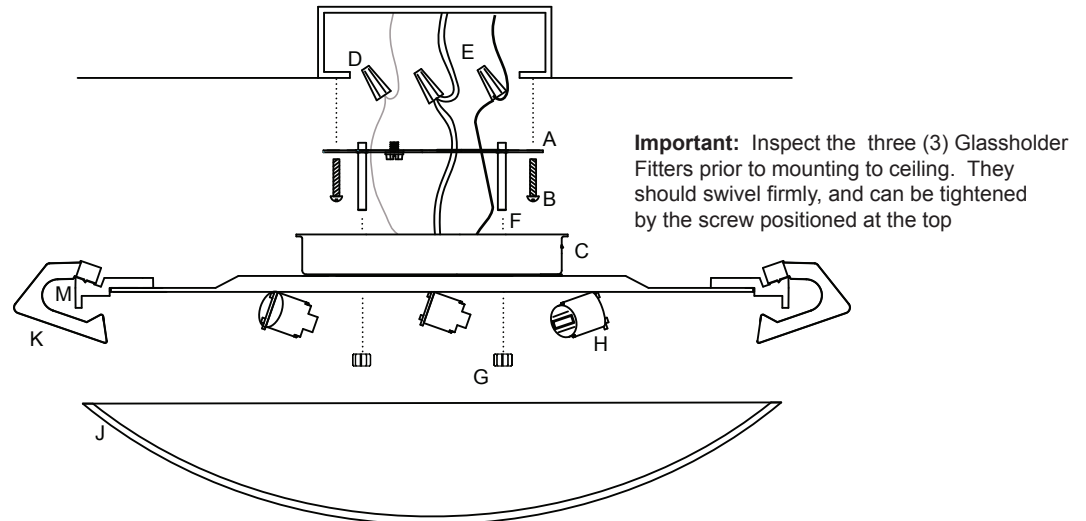
6695 Taylor Rd. Blacklick, OH 43004
www.besalighting.com

P300115, Rev.1 5-10

Caution: Turn off power to electrical box before installing

Use With these Models:

- Sonya 20 (841925)



Important: Inspect the three (3) Glassholder Fitters prior to mounting to ceiling. They should swivel firmly, and can be tightened by the screw positioned at the top

1. Carefully unpack parts. Remove Mounting Plate (A) from Canopy (C). Position Mounting Plate onto Outlet box and secure with Machine Screws (B).
2. Connect bare Ground Wires from fixture and Strap to supply ground with wire nut connector (D).
3. Connect the fixture conductors to the supply conductors with wire nut connectors (E) as shown: White fixture wires to white supply wire and black fixture wires to black supply wire. Carefully push wires and wire nuts back into outlet box.
5. Place the fixture Canopy (C) over the outlet box so that the Threaded Studs (F) protrudes through the holes in canopy and reflector.
6. Secure the Canopy to the ceiling with the Thumb Nuts (G), as shown.
7. Install provided bulbs into the G9 Sockets (H). Do not exceed the wattage marked (**100 Watts**), as that could cause fixture to overheat.
8. To attach Glass Diffuser (J), open each of the three Glassholder Fitters (K), by rotating 90 degrees. Then lift up the Glass Diffuser until it is resting against the Inner Stop (M) of the Glassholder Fitters, then rotate each Glassholder Fitter back into position.
9. Restore power.

CAUTION-RISK OF FIRE: Min 90C SUPPLY CONDUCTORS. This fixture requires that the branch supply wires be rated: MIN 90C. Most dwellings built before 1985 have supply wire rated 60C. CONSULT A QUALIFIED ELECTRICIAN TO ENSURE CORRECT BRANCH CIRCUIT CONDUCTOR.

All electrical connections and the installation of this fixture must be in agreement with local codes, ordinances or the NEC (National Electric Code) or CEC (Canadian Electrical Code).

Do not connect this fixture to an electrical system that does not provide a means for equipment grounding.