

# CEILING FIXTURE INSTALLATION GUIDE

Models using P300112 Series (Med. Base 120V)



BESA LIGHTING

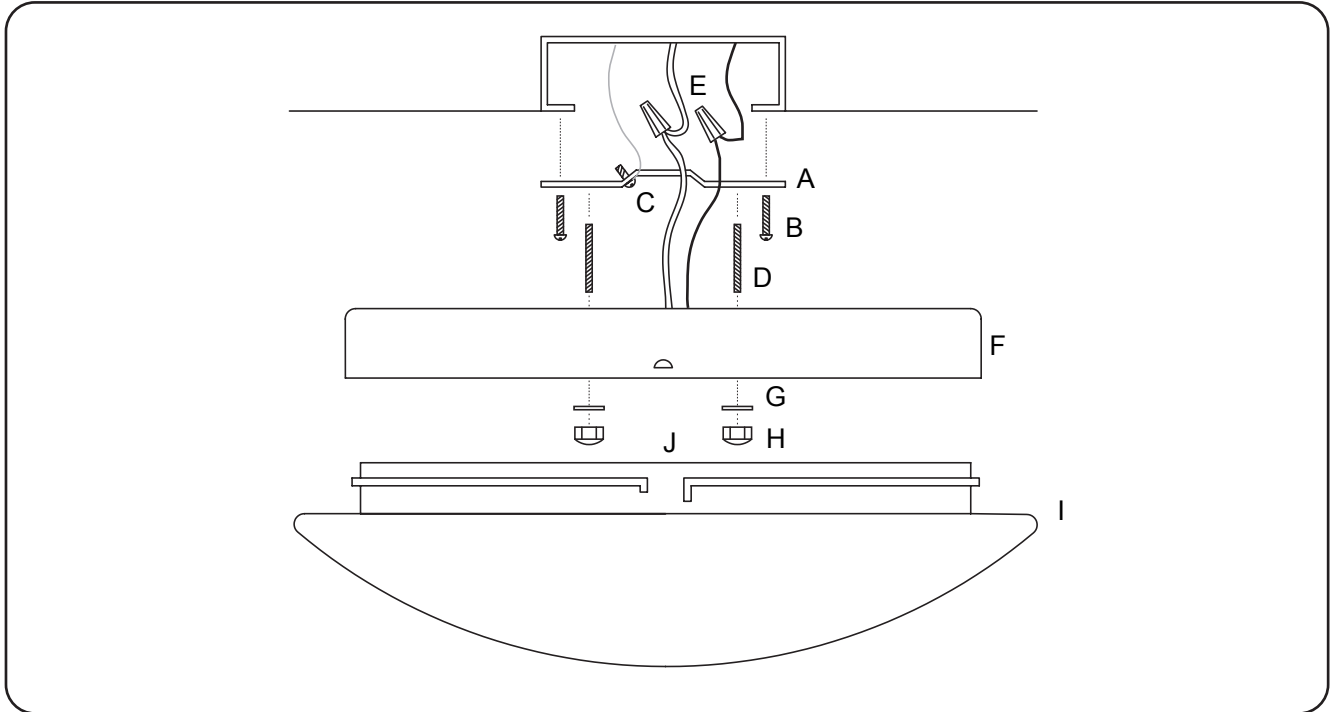
6695 Taylor Rd. Blacklick, OH 43004  
www.besalighting.com

P300112, Rev.1 5-10

## Use With these Models:

- Ring 13 (9772xx)
- Nova 10 (9772xx)
- Slipstream 11 (9038xx)

Caution: Turn off power to electrical box before installing



1. Carefully unpack parts. Fasten Mounting Strap (A) to Outlet box with Machine Screws (B).
2. Attach supply ground conductor to Mounting Strap with the green ground screw (C)
3. Thread the Threaded Studs (D) into the Mounting Strap as shown.
4. Connect the fixture conductors to the supply conductors with wire nut connectors (E) as shown: White fixture wire to white supply wire and black fixture wire to black supply wire. Carefully push wires and wire nuts back into outlet box.
5. Place the fixture Canopy (F) over the outlet box so that the Threaded Studs protrudes through the two mounting holes in canopy.
6. Secure the Canopy to the ceiling with the Star Washers (G) and Cap Nuts (H), as shown. Tighten the cap nuts firmly by using Pliers or 5/16" Nut Driver.
7. Insert bulb(s) of indicated type and of no greater wattage than marked on fixture. Do not exceed wattage, as that could cause fixture to overheat.
8. To attach Glass Diffuser (I), align the open slots (J) in the glass rim with the indented dimples on the fixture canopy. Insert glass into canopy and twist the glass clockwise until secure.
9. Restore power.

**CAUTION-RISK OF FIRE: Min 90C SUPPLY CONDUCTORS.** This fixture requires that the branch supply wires be rated: MIN 90C. Most dwellings built before 1985 have supply wire rated 60C. CONSULT A QUALIFIED ELECTRICIAN TO ENSURE CORRECT BRANCH CIRCUIT CONDUCTOR.

All electrical connections and the installation of this fixture must be in agreement with local codes, ordinances or the NEC (National Electric Code) or CEC (Canadian Electrical Code).

Do not connect this fixture to an electrical system that does not provide a means for equipment grounding.

# CEILING FIXTURE INSTALLATION GUIDE

Models using B0018C, B0022C Series (Med. Base 120V)



BESALIGHTING

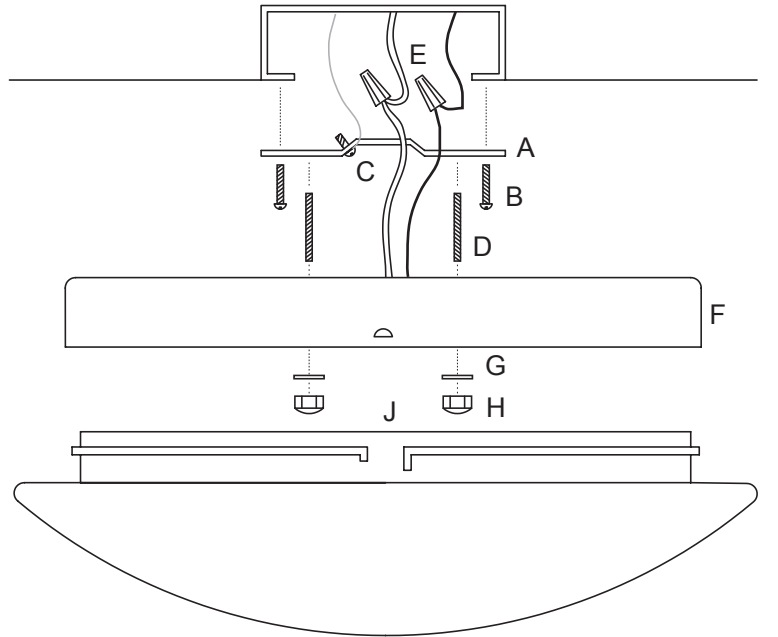
6695 Taylor Rd. Blacklick, OH 43004  
www.besalighting.com

B0018C, B0022C, Rev.4 4-13

**Caution: Turn off power to electrical box before installing**

## Use With these Models:

- Nova 13 (9771xx)
- Ring 15 (9771xx)
- Wave 12 (9062xx)
- Pinta 12 (906288)
- Glitter 15 (9116xx)



1. Carefully unpack parts. Fasten Mounting Strap (A) to Outlet box with Machine Screws (B).
2. Attach supply ground conductor to Mounting Strap with the green ground screw (C)
3. Thread the Threaded Studs (D) into the Mounting Strap as shown.
4. Connect the fixture conductors to the supply conductors with wire nut connectors (E) as shown: White fixture wire to white supply wire and black fixture wire to black supply wire. Carefully push wires and wire nuts back into outlet box.
5. Place the fixture Canopy (F) over the outlet box so that the Threaded Studs protrudes through the two mounting holes in canopy.
6. Secure the Canopy to the ceiling with the Star Washers (G) and Cap Nuts (H), as shown. Tighten the cap nuts firmly by using Pliers or 5/16" Nut Driver.
7. Insert bulb(s) of indicated type and of no greater wattage than marked on fixture. Do not exceed wattage, as that could cause fixture to overheat.
8. To attach Glass Diffuser (I), align the open slots (J) in the glass rim with the indented dimples on the fixture canopy. Insert glass into canopy and twist the glass clockwise until secure.
9. Restore power.

**CAUTION-RISK OF FIRE: Min 90C SUPPLY CONDUCTORS.** This fixture requires that the branch supply wires be rated: MIN 90C. Most dwellings built before 1985 have supply wire rated 60C.  
**CONSULT A QUALIFIED ELECTRICIAN TO ENSURE CORRECT BRANCH CIRCUIT CONDUCTOR.**

All electrical connections and the installation of this fixture must be in agreement with local codes, ordinances or the NEC (National Electric Code) or CEC (Canadian Electrical Code).

Do not connect this fixture to an electrical system that does not provide a means for equipment grounding.

# CEILING FIXTURE INSTALLATION GUIDE

Models using B0020C, B0023C Series (Med. Base 120V)



BESALIGHTING

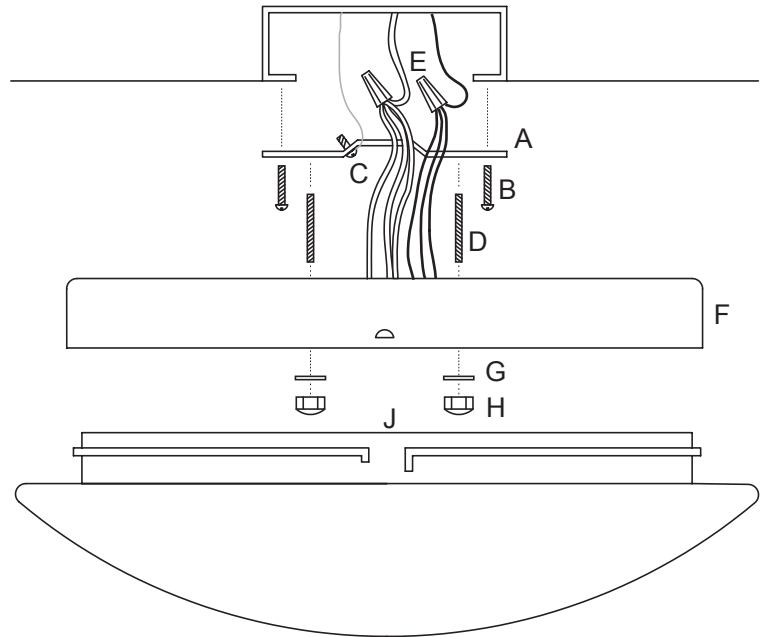
6695 Taylor Rd. Blacklick, OH 43004  
www.besalighting.com

B0020C, B0023C, Rev.4 4-13

## Use With these Models:

- Nova 16 (9770xx)
- Ring 19 (9770xx)
- Wave 15 (9063xx)
- Pinta 15 (906388)
- Glitter 18 (9117xx)

**Caution: Turn off power to electrical box before installing**



1. Carefully unpack parts. Fasten Mounting Strap (A) to Outlet box with Machine Screws (B).
2. Attach supply ground conductor to Mounting Strap with the green ground screw (C)
3. Thread the Threaded Studs (D) into the Mounting Strap as shown.
4. Connect the fixture conductors to the supply conductors with wire nut connectors (E) as shown: White fixture wires to white supply wire and black fixture wires to black supply wire. Carefully push wires and wire nuts back into outlet box.
5. Place the fixture Canopy (F) over the outlet box so that the Threaded Studs protrudes through the two mounting holes in canopy.
6. Secure the Canopy to the ceiling with the Star Washers (G) and Cap Nuts (H), as shown. Tighten the cap nuts firmly by using Pliers or 5/16" Nut Driver.
7. Insert bulb(s) of indicated type and of no greater wattage than marked on fixture. Do not exceed wattage, as that could cause fixture to overheat.
8. To attach Glass Diffuser (I), align the open slots (J) in the glass rim with the indented dimples on the fixture canopy. Insert glass into canopy and twist the glass clockwise until secure.
9. Restore power.

**CAUTION-RISK OF FIRE: Min 90C SUPPLY CONDUCTORS.** This fixture requires that the branch supply wires be rated: MIN 90C. Most dwellings built before 1985 have supply wire rated 60C. CONSULT A QUALIFIED ELECTRICIAN TO ENSURE CORRECT BRANCH CIRCUIT CONDUCTOR.

All electrical connections and the installation of this fixture must be in agreement with local codes, ordinances or the NEC (National Electric Code) or CEC (Canadian Electrical Code).

Do not connect this fixture to an electrical system that does not provide a means for equipment grounding.