



# CHRISSEY

## 120V PENDANTS

### SPECIFICATIONS:

#### DESCRIPTION

The Chrissy pendant features a softly radiused European glass, that will gracefully blend into almost any decorating theme.

#### LAMPING

**Standard:** 40W B10 Candelabra base (E12) Incandescent 120V, or 50W Xenon, lamp not included. Dimmable with standard incandescent dimmer (not included).

**Medium:** 40W B10 Medium-base incandescent 120V, not included.

**Halogen:** 40W G9 Low-pressure Halogen 120V, included. Lamp is suitable for use in an open fixture, dimmable.

**LED:** 9W Replaceable source, 120V, dimmable, 90+ CRI, 3000°K CCT, 800 lumens, 30,000 hours. Lamp included. (Additional Color Temperatures available, including 3500°K and 4000°K)

#### DIFFUSER

Shade shall be handcrafted glass of various decors. 4.25" Dia. x 8" H

**Opening sizes:** 30mm top.

#### SUSPENSION

**Cord-hung:** 10' SVT-type cord, complete with 5" decorative sleeve at the socketholder. Jacket coordinates with metal finish. Plated stamped steel construction. Black, Bronze or Satin Nickel. See next page for mult light options.

#### MOUNTING

Installs directly to a 4" octagonal ceiling box. Suitable for sloped ceilings.

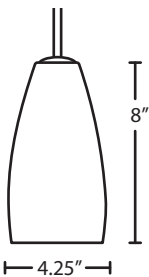
#### LABELS

UL or ETL Listed. Suitable for Damp Locations (interior use only).

Consult factory concerning lower wattage labeling for energy requirements.



CHRISSEY IN HONEY (1509HN) WITH BLACK CORDSET



150907  
OPAL MATTE



1509VM  
VANILLA MATTE



150918  
AMBER CLOUD



#### Project Information:

**For ordering information, see next page**

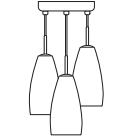
All dimensions provided are nominal.  
Allowance must be made for dimensional tolerance in handcrafted glasses.

REV 7/22



ORDERING:

| CONNECTION            | SHADE OPTIONS               | LAMP OPTIONS                      | METAL FINISH           | OPTIONS               |
|-----------------------|-----------------------------|-----------------------------------|------------------------|-----------------------|
| Cord Fixture          | <b>150907</b> Opal Matte    | <b>(blank)</b> 40W B10 Cand       | <b>BK</b> Black        | <b>L</b> 15' cord     |
| <b>1BC</b> 1 Lt. Dome | <b>150918</b> Amber Cloud   | <b>HAL</b> 40W G9 Hal             | <b>BR</b> Bronze       | <b>LW</b> Low wattage |
| <b>1BT</b> 1 Lt. Flat | <b>1509HN</b> Honey         | <b>MED</b> 40W A19 Med            | <b>SN</b> Satin Nickel | labeling              |
|                       | <b>1509VM</b> Vanilla Matte | <b>LED*</b> 9W LED 120V, dimmable |                        |                       |



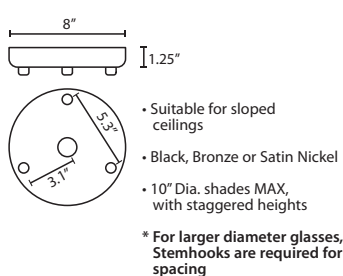
Multilight Canopies Available, see page 11

\*CCT options available (contact factory)

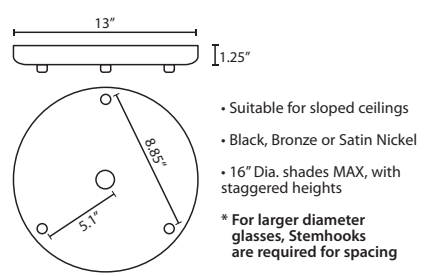
Ex. **1BT-1509HN-SN**  
Chrissy Pendant w/ Honey Glass, Satin Nickel Finish, Flat Canopy

MULTIPOINT CANOPY OPTIONS FOR CORD PENDANTS

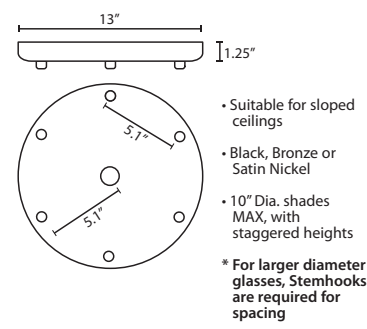
T33X 3 LIGHT ROUND CANOPY



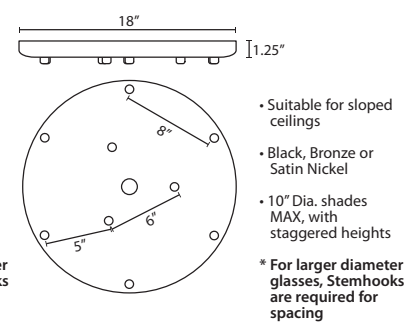
T33XL 3 LIGHT LARGE ROUND CANOPY



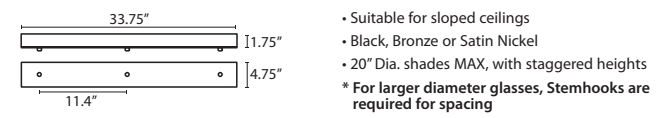
T36X 6 LIGHT ROUND CANOPY



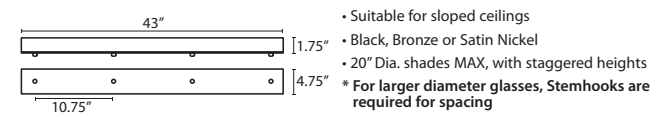
T39X 9 LIGHT ROUND CANOPY



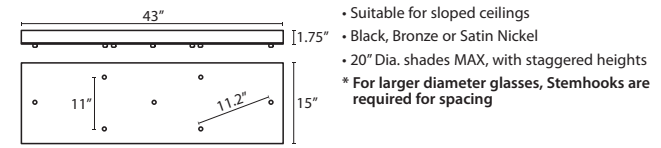
T33V 3 LIGHT BAR CANOPY



T34V 4 LIGHT BAR CANOPY

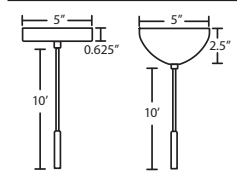


T37V 7 LIGHT BAR CANOPY



PENDANT OPTIONS:

1JT / 1JC / J CORD-HUNG PENDANT



- Flat (1JT) or Dome (1JC) Canopy styles. Dome style allows adjustment without cutting cord.
- "J" option is pendant less canopy for multipoint canopy (options to the right)
- Suitable for sloped ceilings
- Cord: 10' SVT, 5" sleeve at socketholder
- Also available in 15'
- Black, Bronze or Satin Nickel
- Cord Sleeves are available in 18" lengths

ACCESSORIES:

LONGER CORD LENGTHS:

Longer cord length of 15' available. Add an "L" to the end of the item number, i.e. 1JC-169707-SN-L.

LOW WATTAGE LABELING:

Incandescent fixture supplied with 16 watt relamp label. Add an "LW" to the end of the item number, i.e. 1JC-169707-SN-LW.

CORD SLEEVES:

If concealing the cord is desired on a Cord-hung Pendant, order our 0.25" dia. metal sleeves. Each sleeve is 18" long and may be field cut.

- T118-BK** Black
- T118-BR** Bronze
- T118-SN** Satin Nickel

STEMHOOKS:

Suspension hooks allow cord drops to be placed wherever desired. Suitable for sloped ceilings or for greater multilight spacing

- T103BK** Black
- T103BR** Bronze
- T103SN** Satin Nickel

HOW TO ORDER A MULTILIGHT FIXTURE

Order your canopy with the selected 120V multi light pendants (indicated by "B" or "J" prefix) for the complete fixture:

- Example: **1x T33X-SN** (3 Light Round Canopy)
- 1x B-150918-SN** (Chrissy Pendant in Amber Cloud)
  - 1x B-150919-SN** (Chrissy Pendant in Carrera)
  - 1x B-1509HN-SN** (Chrissy Pendant in Honey)