

GLASS SHADE INSTALLATION GUIDE

Model J Series -Mira/Olin (Med. Base Pendant Set 120V)



BESA LIGHTING

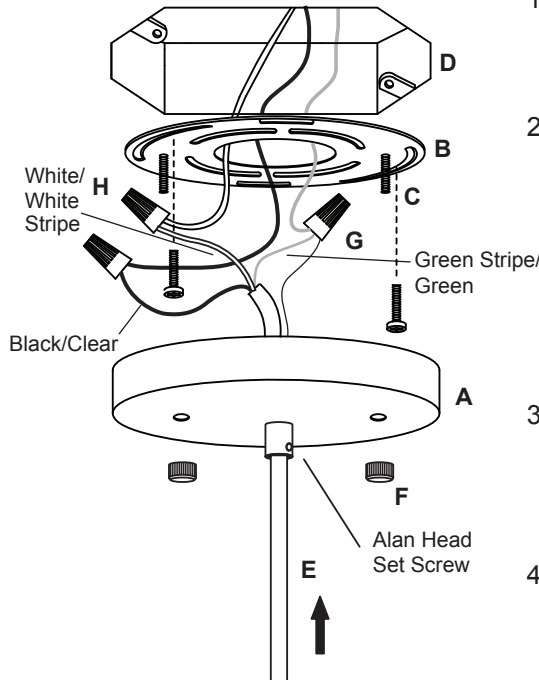
6695 Taylor Rd. Blacklick, OH 43004
www.besalighting.com

Mira_Olin, Rev.2 6-16

Use With these Models:

- MIRA (MIRAxx)
- OLIN (OLINxx)

IMPORTANT: For installation of pendants and wiring, please refer to the **Fixture Installation Guide** included with fixture canopy



1. Carefully unpack parts. Remove the Mounting Plate (B) from the Canopy (A), by unthreading the Cap Nuts (F) from the Threaded Posts (C).
2. Install the Mounting Plate (B) to the Outlet Box (D), as shown. Feed the Fixture Cord (E) through the Canopy (A) and connect House Supply Wires to Fixture Cord Conductors as follows: House Ground Wire to Green Stripe Conductor Cord and Bare Copper Lead with provided Wirenut (G). Connect Black/Clear to Black and White/White Stripe to White with provided Wirenuts (H). Push the wires and wirenuts into the Outlet Box (D).
3. Align the openings on the canopy with the Threaded Posts on the Mounting Plate. Push the Canopy (A) up over the Threaded Posts until tight to the ceiling, then secure with the two Cap Nuts (F).
4. Loosen the Alan Head Set Screw on the Canopy to adjust the height of the Fixture Cord, then re-tighten the Alan Head Set Screw to secure in place.

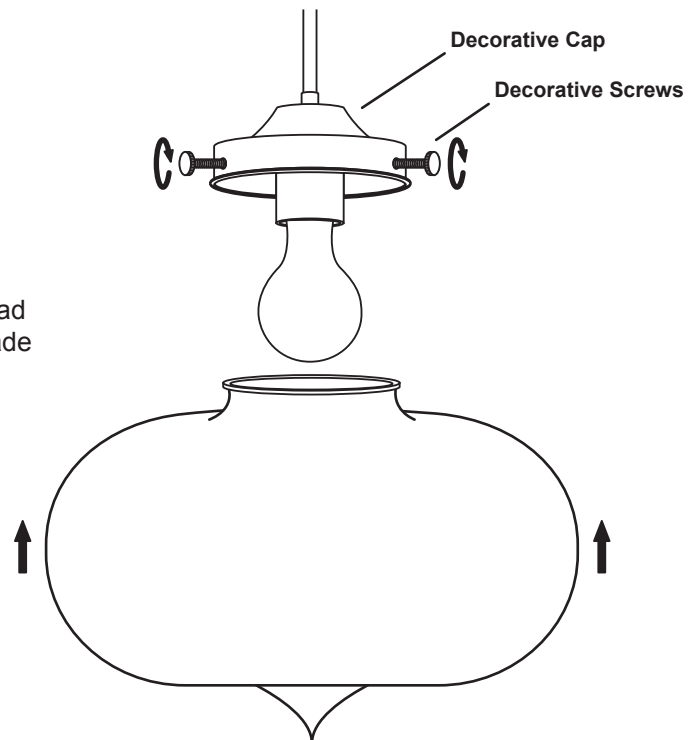
NOTE: Do not overtighten set screw as this may cause a short.

GLASS INSTALLATION:

1. Install Glass per diagram to the right:
 - a. Install Lamp.
 - b. Align top opening of Glass Shade with the Decorative Cap. Once Glass Shade flush with Decorative Cap, thread the Decorative Screws until Glass Shade is secured in place.
- c. Restore power.

NOTE: Do not overtighten Decorative Posts as this may damage Glass Shade.

NOTE: Glass Shade is for instructional purposes. Actual Glass Shade may vary in size and shape.



All electrical connections and the installation of this fixture must be in agreement with local codes, ordinances or the NEC (National Electric Code) or CEC (Canadian Electrical Code). Do not connect this fixture to an electrical system that does not provide a means for equipment grounding.