

# FIXTURE INSTALLATION GUIDE

Models Boca Series (Boca Vanity 120V)



BESA LIGHTING

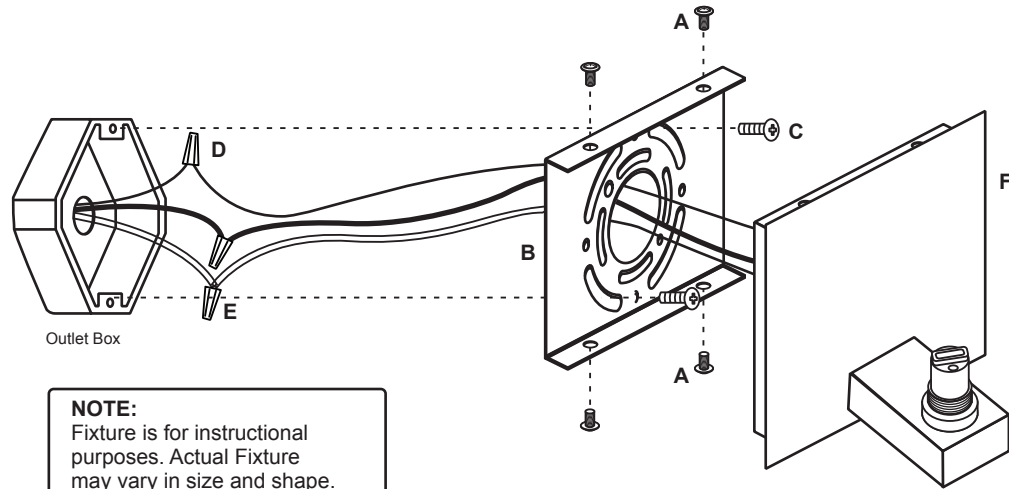
6695 Taylor Rd. Blacklick, OH 43004  
www.besalighting.com

SW060.001.040, Rev.1 7-17

## Use With these Models:

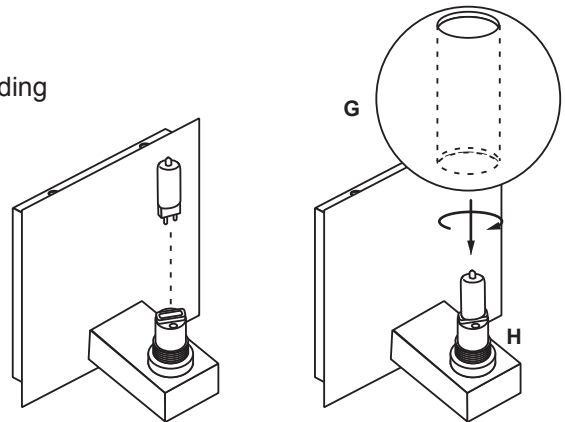
- Boca

**Caution: Turn off power to electrical box before installing**



1. Carefully unpack parts. Remove Canopy Screws (A) to release Mounting Plate (B) from Canopy (F).
2. Install Mounting Plate (B) onto Outlet Box with Mounting Screws (C).
3. Attach the Fixture Ground wire to the supply ground and secure with Wire Nut connector (D).
4. Connect the fixture conductors to the supply conductors with wire nut connectors (E) as shown: White fixture wire to white supply wire and black fixture wire to black supply wire. Carefully push wires and wire nuts back into outlet box.
5. Place the fixture Canopy (F) over the Mounting Plate (B) and align Mounting Plate holes with the Canopy holes. Secure Canopy (F) to Mounting Plate (B) with Canopy Screws (A).

6. Install lamp.
7. Install Glass Shade (G) onto Canopy by threading the Glass Shade onto Canopy Socket (H).
8. Restore power.



**CAUTION--RISK OF FIRE: Min 75C SUPPLY CONDUCTORS.** This fixture requires that the branch supply wires be rated: MIN 75C. Most dwellings built before 1985 have supply wire rated 60C.  
**CONSULT A QUALIFIED ELECTRICIAN TO ENSURE CORRECT BRANCH CIRCUIT CONDUCTOR.**

**All electrical connections and the installation of this fixture must be in agreement with local codes, ordinances or the NEC (National Electric Code) or CEC (Canadian Electrical Code).  
Do not connect this fixture to an electrical system that does not provide a means for equipment grounding.**