

FIXTURE INSTALLATION GUIDE

Models 1WG Series (One Light Sconce 120V)



BESALIGHTING

6695 Taylor Rd. Blacklick, OH 43004
www.besalighting.com

1WG_Milo4_Kirk6, Rev.3 3-18

Caution: Turn off power to electrical box before installing

Use With these Models:

- 1WG Milo 4 (MILO4xx)
- 1WG Kirk 6 (KIRK6)

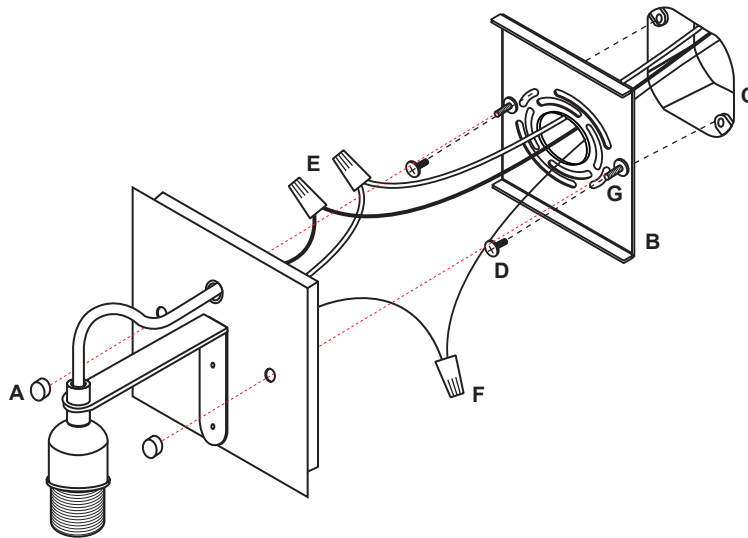
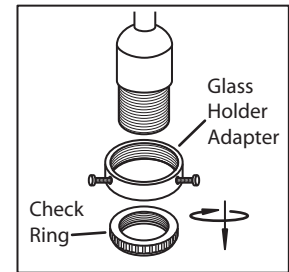


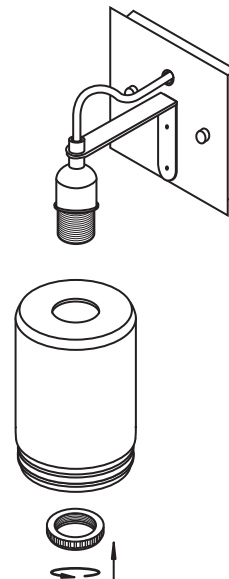
Figure A:



1. Carefully remove parts from package.
2. As shown in Figure A, remove Glass Holder Adapter by unthreading Check Ring. Discard Glass Holder Adapter.
3. Remove the two Cap Nuts (A) to release the Canopy from the Mounting Plate (B).
4. Install Mounting Plate onto Outlet Box (C) with two Machine Screws (D) provided.
5. Connect the electrical leads from the fixture to the house supply wires, black to black and white to white, and secure with wirenuts provided (E). Connect the House Ground Wire to the Bare Copper Lead from the fixture, and secure with wirenut provided (F).
6. Align the circular openings on the Backplate with the Threaded Posts (G) on the Mounting Plate. Push the Canopy over the Threaded Posts until the Canopy is flush with the wall, then secure with the Cap Nuts (A).
7. Install glass diffusers per diagram below. With the power still off, insert bulb of not more than the labeled wattage.

GLASS INSTALLATION:

NOTE: Glass Diffuser shown is for example purposes, the actual Glass Diffuser may be different in appearance.



All electrical connections and the installation of this fixture must be in agreement with local codes, ordinances or the NEC (National Electric Code) or CEC (Canadian Electrical Code). Do not connect this fixture to an electrical system that does not provide a means for equipment grounding.