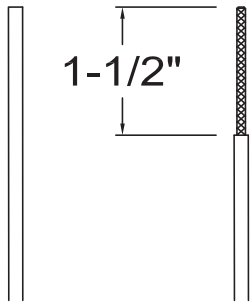




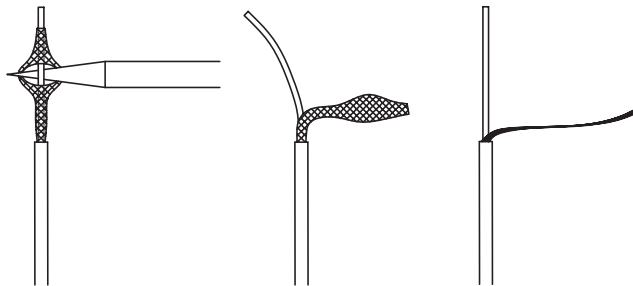
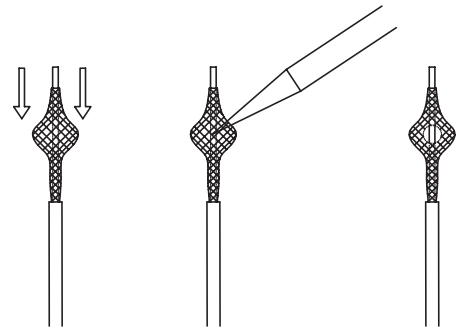
## SHORTENING LENGTH OF PENDANT CORD



Carefully measure the desired length of cord and cut off the excess. It is important to leave an additional 6" that will be inside the canopy for connection to your transformer. Using the 10 AWG setting, strip off 1-1/2" of outer teflon jacket with a pair of wire strippers.

Gently push the silver metal braiding downward on the cord, causing the braiding to create a bubble shape as shown.

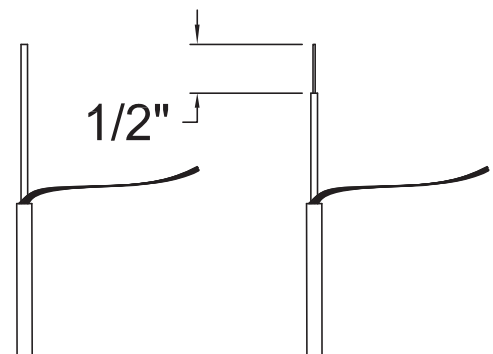
Using a pointed object, such as a pencil, expand an opening in the silver braiding until the inner conductor is clearly exposed.



Once the inner conductor is exposed, it can now be separated from the braiding. Slide the pointed object between the inner conductor and the braiding, as shown. Gently wedge the inner conductor apart from the braiding. Now twist the braiding tightly into a conductor.

Strip 1/2" insulation from the inner conductor. The pendant cord is now ready for installation (Refer to the Canopy Instructions).

After connection to the transformer, it is recommended that any exposed portion of the braided conductor be wrapped with electrical tape.



### IMPORTANT: KEEP THESE INSTRUCTIONS FOR YOUR RECORDS

**Replacement parts for this Low Voltage Pendant Set are as follows (lamp included):**

#TU210C50-SN.17 - 50W, 10' clear cordset with Nickel Hardware  
For Bronze cordset, use "Z" in place of "C" and "BR" in place of "SN"  
For 15' cordset, use "215" in place of "210"

**Lamps Only:**

#B5506 - 50W Low-pressure Halogen 12V Bi-Pin GY6.35



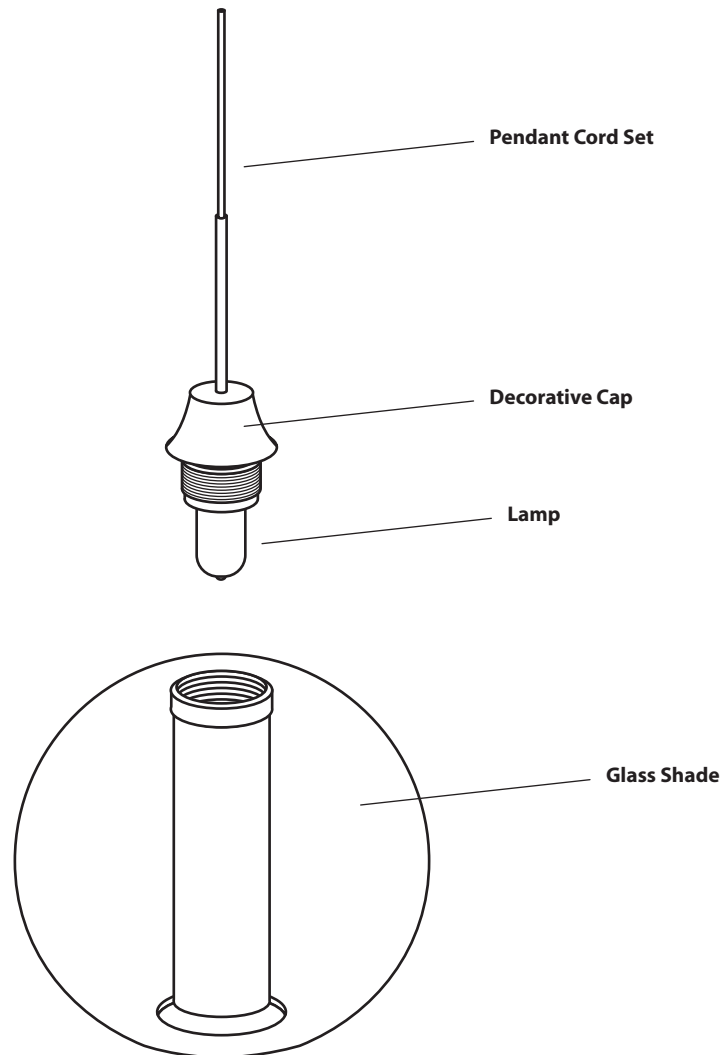
## GLASS SHADE INSTALLATION GUIDE

**IMPORTANT:** For installation of pendants and wiring, please refer to the **Fixture Installation Guide** included with fixture canopy

**Use With these Models:**

- Boca 3 (BOCA3xx)
- Boca 5 (BOCA5xx)

1. Prior to installing Pendant Cord Set to Fixture, the Decorative Cap must be installed.
2. Install the lamp into lampholder. **NOTE: Lampholder is designed to have a tight fit, so resistance may be experienced when inserting lamp.**
3. Install Glass Shade into Lampholder by pushing up and rotating clockwise.
4. Restore power.



All electrical connections and the installation of this fixture must be in agreement with local codes, ordinances or the NEC (National Electric Code) or CEC (Canadian Electrical Code).  
Do not connect this fixture to an electrical system that does not provide a means for equipment grounding.

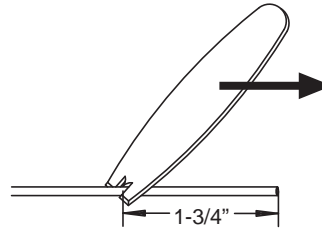


This low voltage Pendant Cord Assembly has been designed to be used with Besa Low Voltage Quick Connect Adapters. Operate with a low voltage transformer (12V) and never wire directly to 120 volts.

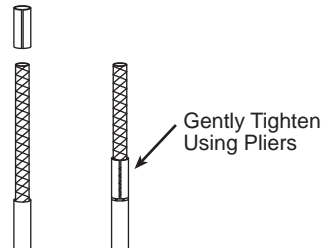
1. Making a clean cut, shorten the cord to the desired length.

2. Carefully strip off 1-3/4" of the outer jacket using the Stripping Tool provided.

**It is important not to damage the inner silver braiding. Practice this step on a scrap section of cord first.**

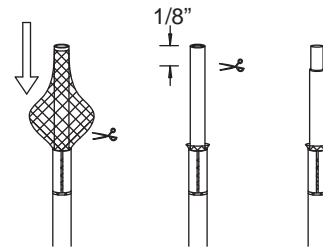


3. Slide the Brass Collar over the braiding. Make sure the Brass Collar does not damage the braiding to ensure a good connection.



4. Remove the exposed braiding by pulling away from the center conductor, then cutting off excess. Leave 1/16" of braided material or less.

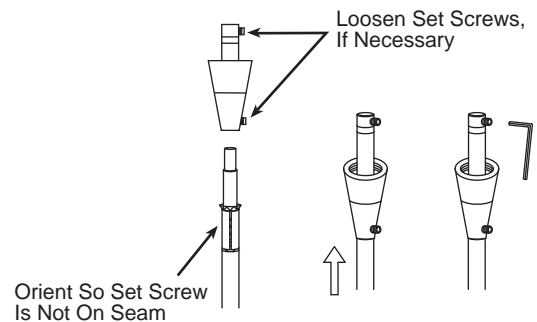
5. Strip off 1/8" of insulation from the Center Conductor. The exposed stranded wire of the Center Conductor must be tightly wound before proceeding.



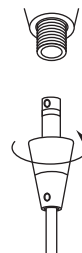
6. Feed the wire until it reaches the top set screw position. Confirm by viewing the Center Conductor through the Viewing Hole.

7. The Brass Collar should align with the bottom of the Quick Connect Jack, if not then trim the Center Conductor.

8. Tighten the top set screw first, then the lower. Do not overtighten the set screws and make sure the set screws avoid the seam in the Brass Collar. The pendant can now be installed onto Quick Connect Adapter.



9. Insert the post of the Quick Connect Jack into the Quick Connect Adapter. Thread the top half of the conical section until it seats with the adapter.



**IMPORTANT: KEEP THESE INSTRUCTIONS FOR YOUR RECORDS**

**Replacement parts for this Low Voltage Pendant Set are as follows (lamp included):**

#XP-210C35-SN.17 - 35W 10' clear cordset with Nickel Hardware  
For Bronze cordset, use "Z" in place of "C" and "BR" in place of "SN"  
For 15' cordset, use "215" in place of "210"

**Lamps and Quick Connect Jacks Only:**

#TQJACK-SN - Nickel Quick Connect Jack  
#TQJACK-BR - Bronze Quick Connect Jack  
#B5507 - 35W Low-pressure Halogen 12V Bi-Pin GY6.35



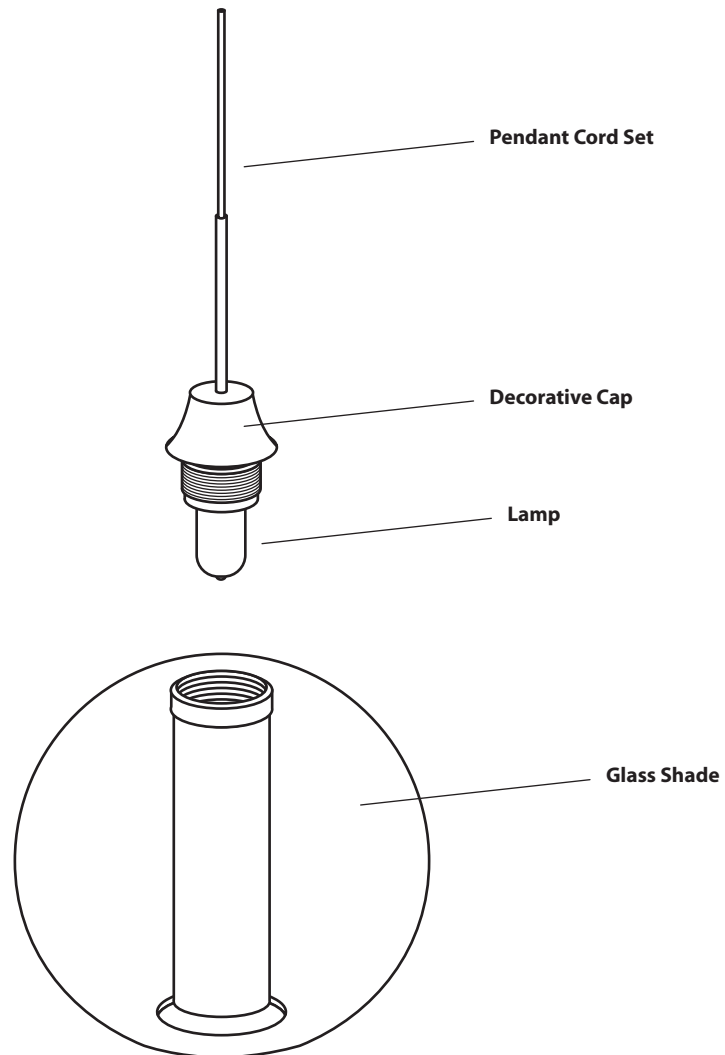
## GLASS SHADE INSTALLATION GUIDE

**IMPORTANT:** For installation of pendants and wiring, please refer to the **Fixture Installation Guide** included with fixture canopy

**Use With these Models:**

- Boca 3 (BOCA3xx)
- Boca 5 (BOCA5xx)

1. Prior to installing Pendant Cord Set to Fixture, the Decorative Cap must be installed.
2. Install the lamp into lampholder. **NOTE: Lampholder is designed to have a tight fit, so resistance may be experienced when inserting lamp.**
3. Install Glass Shade into Lampholder by pushing up and rotating clockwise.
4. Restore power.



All electrical connections and the installation of this fixture must be in agreement with local codes, ordinances or the NEC (National Electric Code) or CEC (Canadian Electrical Code). Do not connect this fixture to an electrical system that does not provide a means for equipment grounding.