

# INSTALLATION GUIDE

Model 1KX (Cable Pendant Set 120V)



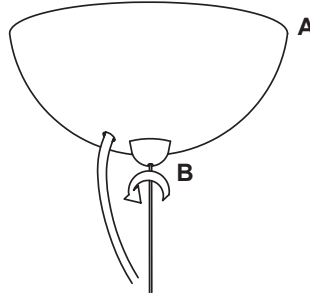
BESA LIGHTING

6695 Taylor Rd. Blacklick, OH 43004  
www.besalighting.com

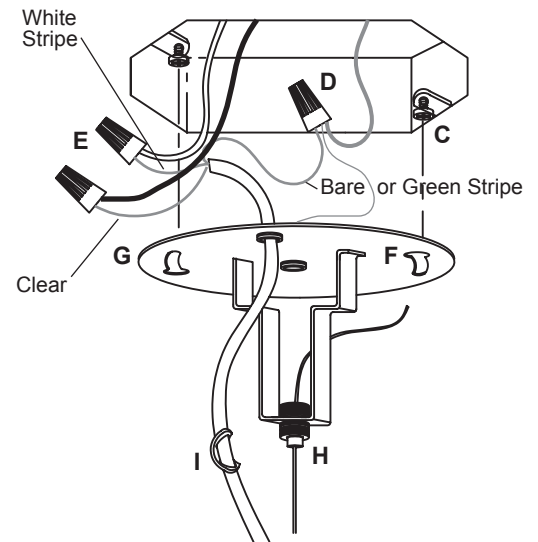
1KX, Rev.7 12-11

**CAUTION:** Turn off power to electrical box before installing

1. Carefully unpack parts. Remove the Canopy (A) from the Mounting Plate by unscrewing the Retainer (B). Fully remove the Retainer from the threaded nipple, then pull the canopy from the Mounting Plate.

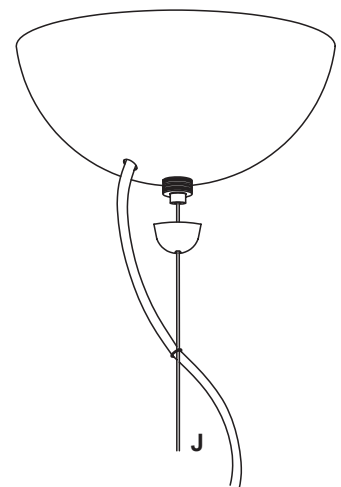


2. Prior to mounting fixture to ceiling, cord must be cut to length. Measure the overall length of pendant drop, then add 25% to allow for shaping of the cord. Cut off excess cord then strip back outer jacket about 4" in length. To move the Strain Relief (I), simply pinch together and slide down the cord.
3. Install the provided Mounting Screws (C) into the Outlet Box, leaving 1/4" of threading as shown. Attach the bare copper fixture ground wire and bare (or green striped) ground conductor from the cord to the supply ground and secure with Wire Nut Connector (D). Connect the cord conductors to the supply conductors with Wire Nut Connectors (E) as shown: Cord conductor with white stripe to white supply wire and clear cord conductor to black supply wire. Carefully push wires and wire nuts back into outlet box.



**When using the clear style cord, it is advised that the installer confirm the polarity per instructions on the next page.**

4. Align the circular openings of the keyhole slots (F) of the Mounting Plate (G) with the Mounting Screws. Push the Mounting Plate up over the Outlet Box until tight to ceiling, then rotate the Mounting Plate Counter-clockwise and secure with Mounting Screws.
5. To adjust pendant height, push the cable up through the Cable Grip (H) to desired length. To lower pendant, push the Cable Grip up, which will release the cable and allow it to be lowered. Trim the excess cable, leaving about 6" above the Cable Grip. Position the Strain Relief close to the Mounting Plate as shown.
6. Replace the Canopy as shown and secure with the Retainer. Tighten the Retainer enough to hold the Canopy to the ceiling but do not overtighten. The cord can now be shaped by positioning the clear Cord Rings (J) along the cable as desired.



**Overtightening can cause the Retainer to be difficult to unscrew. If this occurs, usually rotating the canopy counter-clockwise will help to unlock the Retainer.**

**Replacement parts for this 120V Voltage Pendant Set are as follows:**

#T1KX-SN - 10' clear cordset and 1 support cables with Nickel Hardware.

For Bronze cordset, use "BR" in place "SN". For 15' cordset, place "L" after metal finish.

# INSTALLATION GUIDE

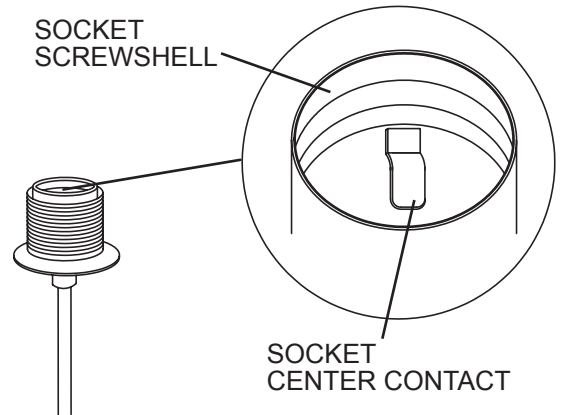
## Use With these Models:

- Porto (4202xx)
- Pape (4913xx)
- Lucia (1697xx)
- Luna (4776xx)
- Tessa (4201xx)

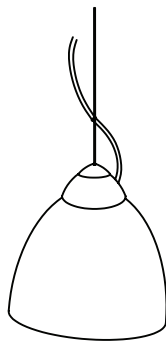
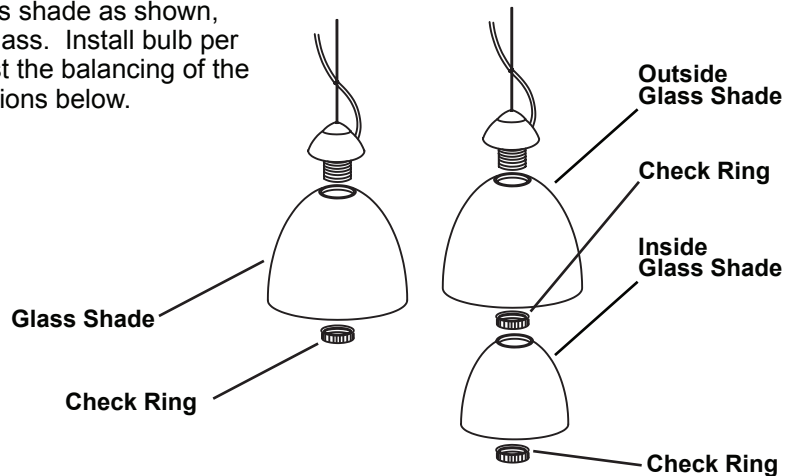
## POLARITY INSTRUCTIONS

Using a Continuity Tester or Multimeter, confirm the following connections:

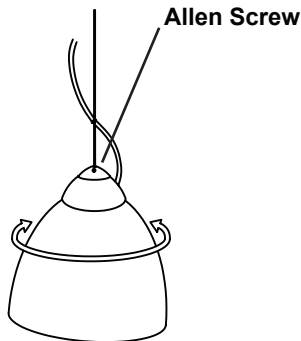
- Clear Conductor with White Stripe (Neutral/White) is connected to the Socket Screwshell. This wire is to be connected to house supply white conductor.
- Clear Conductor (Hot/Black) is connected to the Socket Center Contact. This wire is to be connected to house supply black wire.



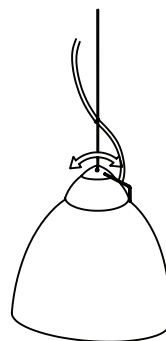
7. The installation method for the glass shade as shown, either with single glass or double glass. Install bulb per the labeling on the fixture. To adjust the balancing of the glass, if necessary, see the instructions below.



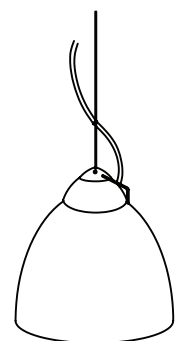
Visually inspect the shade to determine if repositioning is necessary.



Slightly loosen the shade and rotate so that the unbalanced portion is parallel with the allen screw.



Loosen the allen screw, then rotate assembly into a new position that will level the glass shade.



Hold the shade in it's new position, then tighten the allen screw firmly. Release the glass shade and visually confirm that it is now level.

8. Restore power.

All electrical connections and the installation of this fixture must be in agreement with local codes, ordinances or the NEC (National Electric Code) or CEC (Canadian Electrical Code). Do not connect this fixture to an electrical system that does not provide a means for equipment grounding.