

FIXTURE INSTALLATION GUIDE

Models using Miranda Backplate
(G9 Halogen, Wall Mount 120V)

Miranda26, Rev.2 2-14

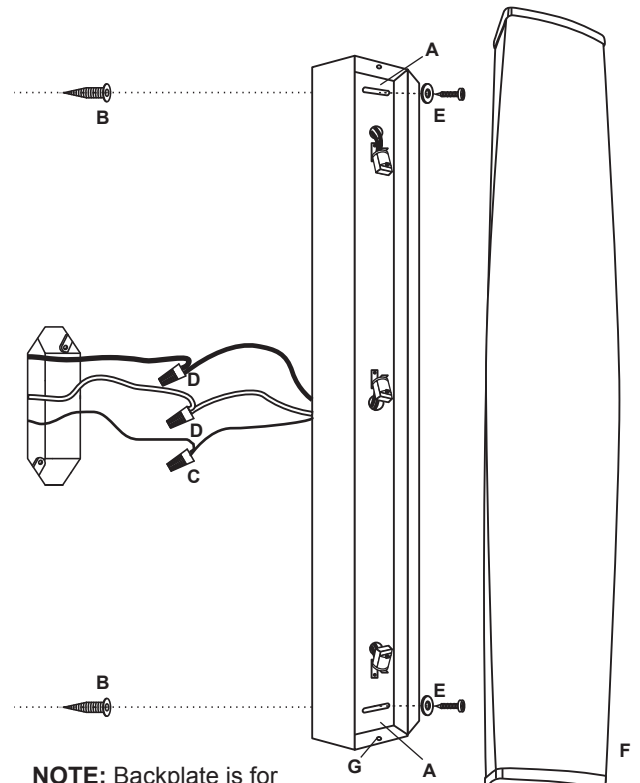


BESA LIGHTING

6695 Taylor Rd. Blacklick, OH 43004
www.besalighting.com

CAUTION: Turn off power to electrical box before installing

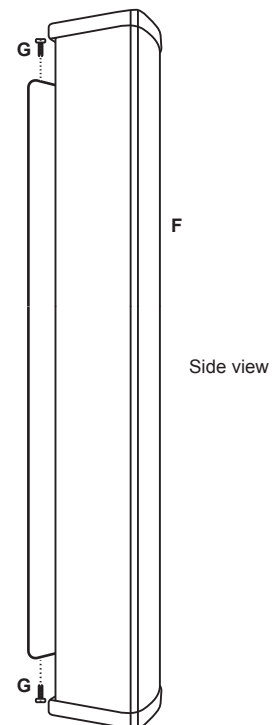
1. Carefully remove parts from package.
2. Level Backplate flush with the wall and carefully mark the wall at the center of the Slotted Openings (A) on the Backplate. Remove the Backplate and install the Wall Anchors (B) at the marks made.
3. Connect the House Ground Wire to the Bare Copper Conductor with a wirenut (C).
4. Connect the electrical leads from the fixture to the house supply wires, black to black and white to white, and secure with wirenuts provided (D).
5. Secure the Backplate using Mounting Screws and Flat Washer (E) through the top and bottom Slotted Openings (A) on the Backplate and with the Wall Anchors (B).



6. With the power still off, insert bulb of not more than the labeled wattage.
7. Push the Glass Diffuser (F) into the Backplate and then secure the Glass Diffuser by threading the Mounting Screws (H) through the Mounting Holes (G) into the Glass Diffuser.

NOTE: Do not overtighten Mounting Screws as this may damage Glass Diffuser.

9. Restore power.



All electrical connections and the installation of this fixture must be in agreement with local codes, ordinances or the NEC (National Electric Code) or CEC (Canadian Electrical Code). Do not connect this fixture to an electrical system that does not provide a means for equipment grounding.