

# FIXTURE INSTALLATION GUIDE

Model T21QP (Low Voltage Quick-Connect Canopy)

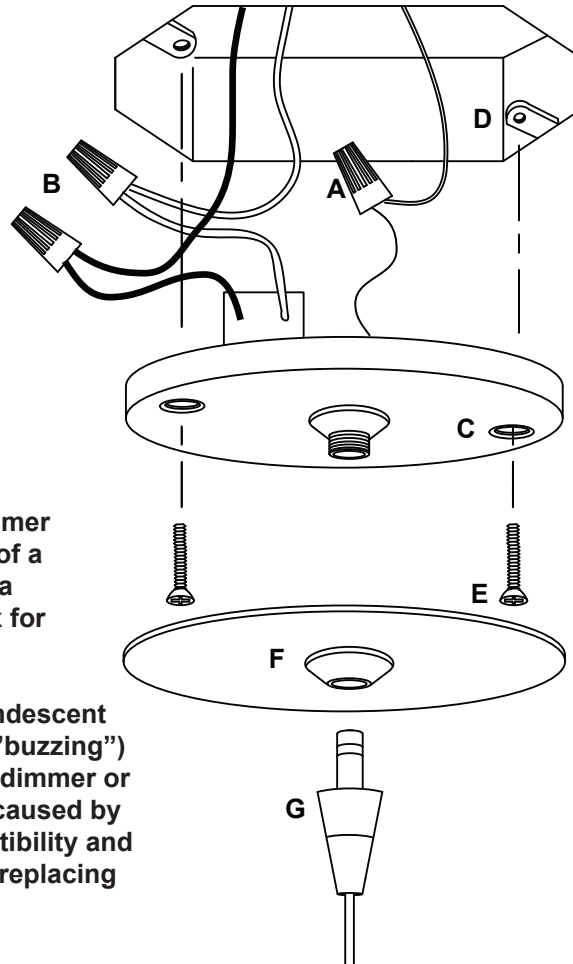


BESA LIGHTING

6695 Taylor Rd. Blacklick, OH 43004  
www.besalighting.com

21QP, Rev.3 6-10

**Caution: Turn off power to electrical box before installing**



**Note:**

For optimum performance, an electronic low voltage dimmer should be used. Installation of a low voltage dimmer requires a neutral lead in the switch box for proper wiring.

If employing a standard incandescent dimmer, low levels of noise ("buzzing") may emanate from either the dimmer or transformer. This is usually caused by dimmer/transformer incompatibility and may be eliminated by simply replacing the dimmer.

1. Carefully remove parts from package.
2. Connect the house ground wire to the Bare Copper Lead and secure with wirenut provided (A). Connect the electrical leads from the Transformer to the house supply wires, black to black and white to white, and secure with wirenuts provided (B).
3. Align the Openings (C) on the Canopy with the Threaded Holes (D) on the Supply Box. Push the Canopy over the Supply Box until the Canopy is flush to the ceiling, then secure with the Threaded Screws (E). It is important that the Supply Box is deep enough to allow for the Transformer.
4. Place the Decorative Cover (F) over the threaded nipple on the canopy, then attach the Besa Quick Connect Element (G). The Besa Quick Connect Element is furnished separately.
5. With the power still off, insert bulb of not more than the labeled wattage on the Quick Connect Element.
6. Turn power on.

All electrical connections and the installation of this fixture must be in agreement with local codes, ordinances or the NEC (National Electric Code) or CEC (Canadian Electrical Code). Do not connect this fixture to an electrical system that does not provide a means for equipment grounding.

# QUICK CONNECT INSTALLATION GUIDE

Model XP-07 Series (Low Voltage Pendant Set 12V)



BESA LIGHTING

6695 Taylor Rd. Blacklick, OH 43004  
www.besalighting.com

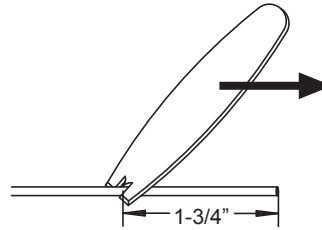
XPKIT.07, Rev.6 8-11

This low voltage Pendant Cord Assembly has been designed to be used with Besa Low Voltage Quick Connect Adapters. Operate with a low voltage transformer (12V) and never wire directly to 120 volts.

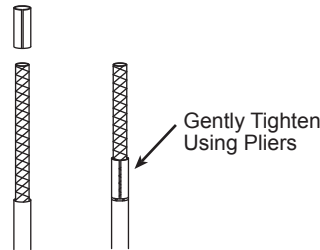
1. Making a clean cut, shorten the cord to the desired length.

2. Carefully strip off 1-3/4" of the outer jacket using the Stripping Tool provided.

**It is important not to damage the inner silver braiding. Practice this step on a scrap section of cord first.**

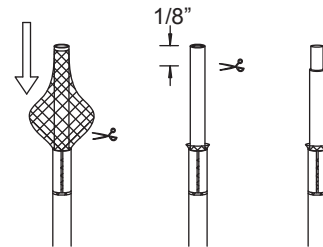


3. Slide the Brass Collar over the braiding. Make sure the Brass Collar does not damage the braiding to ensure a good connection.



4. Remove the exposed braiding by pulling away from the center conductor, then cutting off excess. Leave 1/16" of braided material or less.

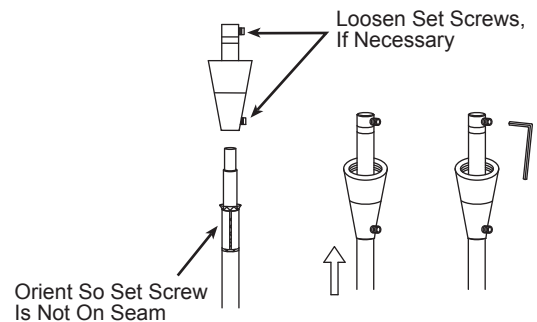
5. Strip off 1/8" of insulation from the Center Conductor. The exposed stranded wire of the Center Conductor must be tightly wound before proceeding.



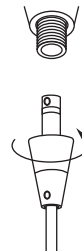
6. Feed the wire until it reaches the top set screw position. Confirm by viewing the Center Conductor through the Viewing Hole.

7. The Brass Collar should align with the bottom of the Quick Connect Jack, if not then trim the Center Conductor.

8. Tighten the top set screw first, then the lower. Do not overtighten the set screws and make sure the set screws avoid the seam in the Brass Collar. The pendant can now be installed onto Quick Connect Adapter.



9. Insert the post of the Quick Connect Jack into the Quick Connect Adapter. Thread the top half of the conical section until it seats with the adapter.



## IMPORTANT: KEEP THESE INSTRUCTIONS FOR YOUR RECORDS

**Replacement parts for this Low Voltage Pendant Set are as follows (lamp included):**

#XP-210C35-SN.07 - 35W 10' clear cordset with Nickel Hardware  
For Bronze cordset, use "Z" in place of "C" and "BR" in place of "SN"  
For 15' cordset, use "215" in place of "210"

**Lamps and Quick Connect Jacks Only:**

#TQJACK-SN - Nickel Quick Connect Jack  
#TQJACK-BR - Bronze Quick Connect Jack  
#B5507 - 35W Low-pressure Halogen 12V Bi-Pin GY6.35



## GLASS SHADE INSTALLATION GUIDE

### Use With these Models:

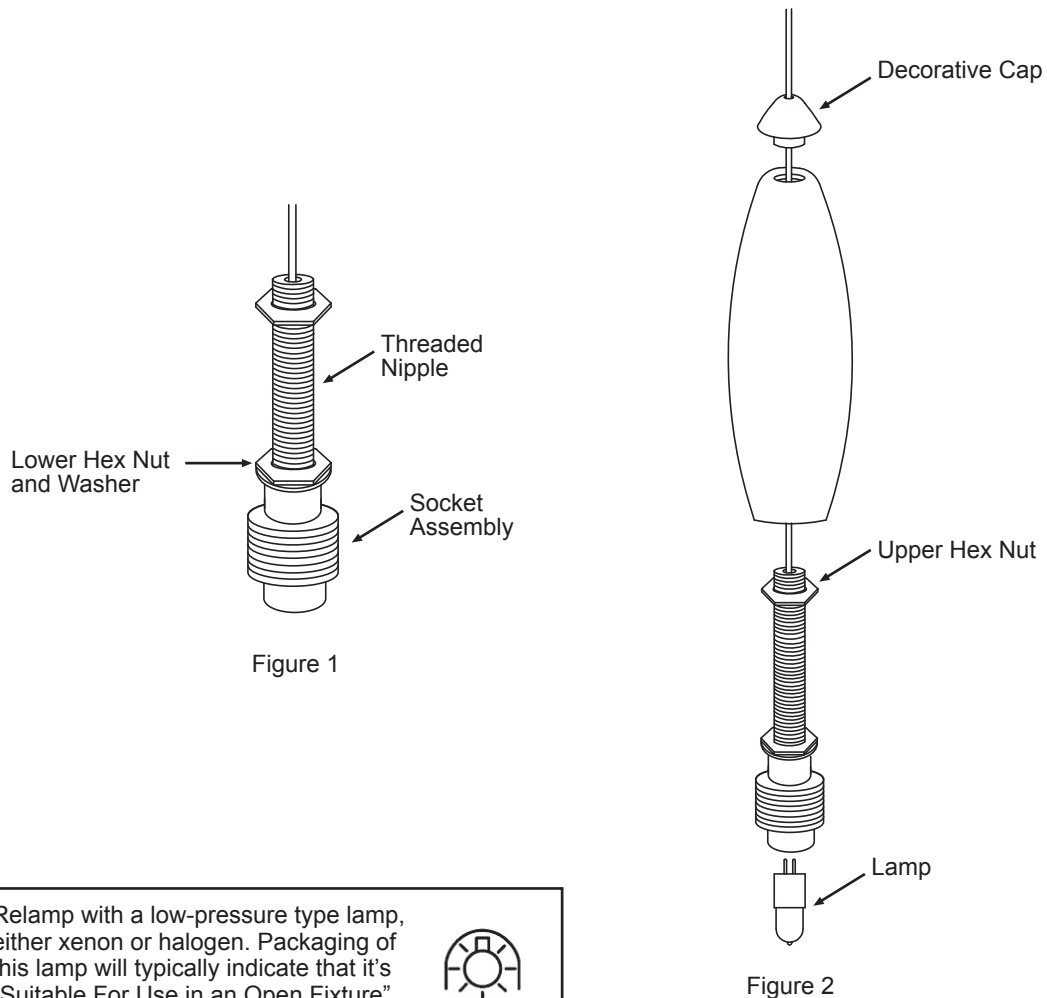
- Kiki  
(1382xx)
- Zumi  
(4395xx)

**IMPORTANT: The pendant and glass assembly you have received is designed such that the glass must be installed prior to hanging the pendant.**

1. Begin by threading the Treaded Nipple into the top of the Socket Assembly and secure using the Lower Hex Nut and Washer provided, as shown by figure 1.
2. Following figure 2, the glass shade (shape may vary) will be positioned as shown. Depending on the thickness of glass, the Upper Hex Nut may require adjustment to allow the Decorative Cap to properly seat at top the glass shade.

For lamping, plug the provided 35W Lamp provided. For relamping never exceed 35 watts, as greater wattages could cause overheating, adversely affecting the life of the luminaire.

While performing the remaining instruction steps, care must be taken to keep the glass shade and assembly protected, otherwise breakage may occur.



Relamp with a low-pressure type lamp, either xenon or halogen. Packaging of this lamp will typically indicate that it's "Suitable For Use in an Open Fixture" or marked with the symbol shown.



All electrical connections and the installation of this fixture must be in agreement with local codes, ordinances or the NEC (National Electric Code) or CEC (Canadian Electrical Code). Do not connect this fixture to an electrical system that does not provide a means for equipment grounding.