

# FIXTURE INSTALLATION GUIDE

Model T21T (Low Voltage Pendant Set 120V)

21T, Rev.4 6-13

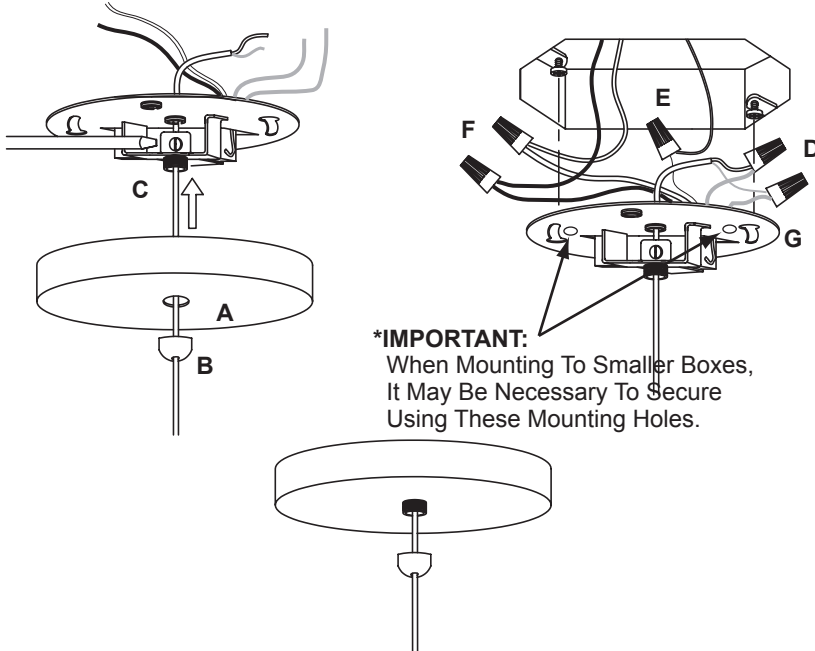


BESALIGHTING

6695 Taylor Rd. Blacklick, OH 43004  
www.besalighting.com

**IMPORTANT:** Before proceeding, retrieve the **GLASS SHADE INSTALLATION GUIDE**, which is included with the pendant cord set

**CAUTION:** Turn off power to electrical box before installing



**\*IMPORTANT:**  
When Mounting To Smaller Boxes,  
It May Be Necessary To Secure  
Using These Mounting Holes.

**Note:**

For optimum performance, an electronic low voltage dimmer should be used. Installation of a low voltage dimmer requires a neutral lead in the switch box for proper wiring.

If employing a standard incandescent dimmer, low levels of noise ("buzzing") may emanate from either the dimmer or transformer. This is usually caused by dimmer/transformer incompatibility and may be eliminated by simply replacing the dimmer.

1. Carefully unpack parts. Remove the Canopy (A) from the Mounting Plate by unscrewing the Retainer (B). Fully remove the Retainer from the threaded nipple, then pull the canopy from the Mounting Plate.

**IMPORTANT:** Refer to the **GLASS SHADE INSTALLATION GUIDE** to determine the glass support parts that must be installed over the Pendant Cord Set, prior to Step 2.

2. To install the pendant cord, simply unscrew the Set Screw on the Strain Relief (C) to loosen. Now push the cord up through the Retainer, Canopy and then Strain Relief until reaching the desired length. Shorten cord to approx. 6" above the Strain Relief, per instructions on the Glass Installation Guide. Tighten the Set Screw onto cord until the cord is held in place.

**CAUTION: Overtightening the set screw could pierce cord and prevent pendant from operating.**

3. Connect the cord leads to the blue or red transformer wires, and secure with wirenuts (D). If the cord length above the Mounting Plate is more than 6", then you will need to shorten the cord.
4. Install the provided Mounting Screws into the Outlet Box, leaving 1/4" of threading as shown. Attach the house ground wire to the bare copper lead on the Mounting Plate and secure with provided wirenut (E). Connect the electrical leads from the fixture transformer to the house supply wires, black to black, white to white, and secure with wirenuts provided (F).
5. Align the circular openings of the keyhole slots (G) of the Mounting Plate with the Mounting screws. Push the Mounting Plate up over the Outlet Box until tight to ceiling, then rotate the Mounting Plate Counter-clockwise and secure with Mounting Screws.

6. Position canopy over the threaded nipple and secure with Retainer.

7. For assembly of the glass shade, please refer to the **GLASS SHADE INSTALLATION GUIDE** that is included with the Pendant Cord Set.

8. Restore power.

All electrical connections and the installation of this fixture must be in agreement with local codes, ordinances or the NEC (National Electric Code) or CEC (Canadian Electrical Code).  
Do not connect this fixture to an electrical system that does not provide a means for equipment grounding.

# PENDANT CORD INSTALLATION GUIDE

Model U Series -03 (Low Voltage Pendant Set 12V)

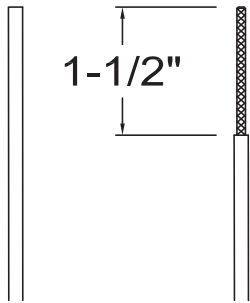


BESA LIGHTING

6695 Taylor Rd. Blacklick, OH 43004  
www.besalighting.com

UKIT.03, Rev.3 8-11

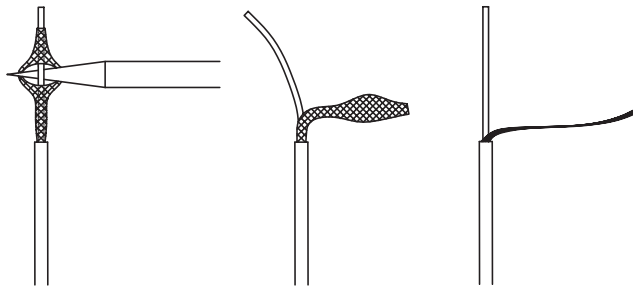
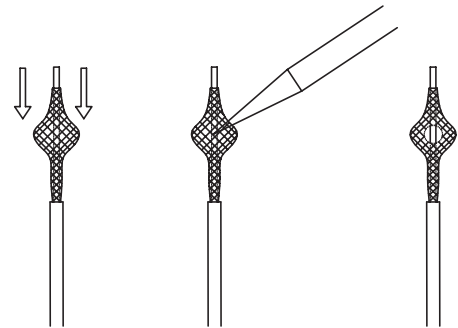
## SHORTENING LENGTH OF PENDANT CORD



Carefully measure the desired length of cord and cut off the excess. It is important to leave an additional 6" that will be inside the canopy for connection to your transformer. Using the 10 AWG setting, strip off 1-1/2" of outer teflon jacket with a pair of wire strippers.

Gently push the silver metal braiding downward on the cord, causing the braiding to create a bubble shape as shown.

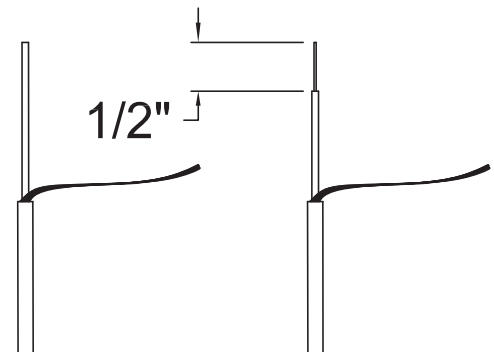
Using a pointed object, such as a pencil, expand an opening in the silver braiding until the inner conductor is clearly exposed.



Once the inner conductor is exposed, it can now be separated from the braiding. Slide the pointed object between the inner conductor and the braiding, as shown. Gently wedge the inner conductor apart from the braiding. Now twist the braiding tightly into a conductor.

Strip 1/2" insulation from the inner conductor. The pendant cord is now ready for installation (Refer to the Canopy Instructions).

After connection to the transformer, it is recommended that any exposed portion of the braided conductor be wrapped with electrical tape.



### IMPORTANT: KEEP THESE INSTRUCTIONS FOR YOUR RECORDS

**Replacement parts for this Low Voltage Pendant Set are as follows (lamp included):**

#TU210C50-SN.03 - 50W, 10' clear cordset with Nickel Hardware

For Bronze cordset, use "Z" in place of "C" and "BR" in place of "SN"

For 15' cordset, use "215" in place of "210"

**Lamps Only:**

#B5506 - 50W Low-pressure Halogen 12V Bi-Pin GY6.35



# GLASS SHADE INSTALLATION GUIDE

## Use With these Models:

- Kona (1176xx) (2824xx) (5504xx)
- Trilo 7 (2718xx)
- Kani (5121xx)

**IMPORTANT:** for installation of pendants and wiring, please refer to the **FIXTURE INSTALLATION GUIDE** included with fixture canopy

Prior to installing Pendant Cord Set to Fixture, the Decorative Cap and Threaded Nipple must be installed. The Decorative Cap and Threaded Nipple do not need to be secured at this time.

While holding the Lampholder secure, hold the Lamp by the base, just above the contacts, and firmly push the lamp into the socket.

**NOTE: Lampholder is designed to have a tight fit, so resistance may be experienced when inserting lamp.**

**NOTE:** Glass Shade is for instructional purposes. Actual Glass Shade may vary in size and shape.

Install the Glass Shade by positioning up over the Lampholder and thread on the Check Ring completely, as shown.

This Pendant Cord Set has been designed to allow the Glass Shade to either rest freely or to be locked in position. To lock down Glass Shade, adjust the Threaded Nipple as shown. Otherwise, thread completely into Lampholder.

**NOTE:** If the Threaded Nipple can not extend to 11/16", lower the Check Ring as needed.

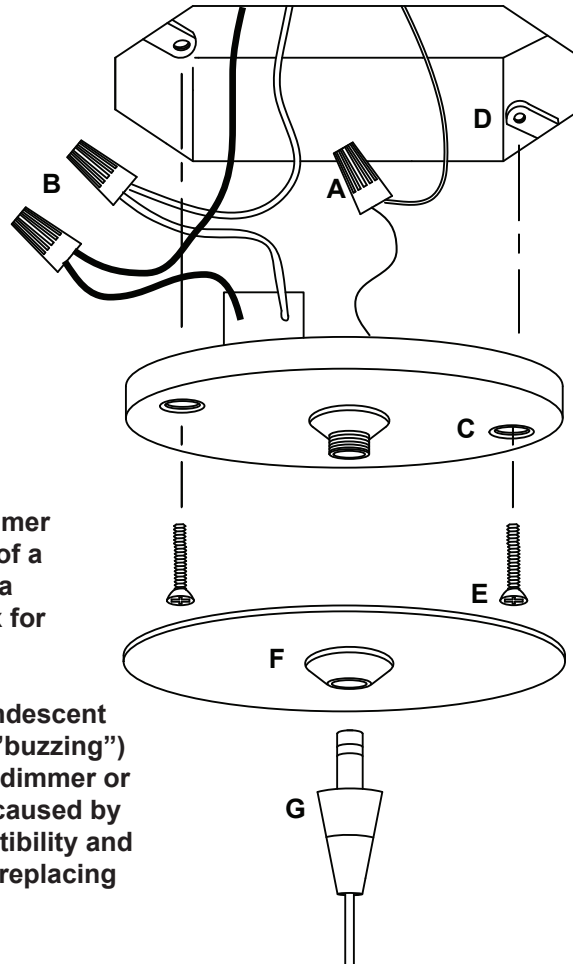
Lower the Decorative Cap down onto the Glass Shade.

Relamp with a low-pressure type lamp, either xenon or halogen. Packaging of this lamp will typically indicate that it's "Suitable For Use in an Open Fixture" or marked with the symbol shown.

All electrical connections and the installation of this fixture must be in agreement with local codes, ordinances or the NEC (National Electric Code) or CEC (Canadian Electrical Code). Do not connect this fixture to an electrical system that does not provide a means for equipment grounding.



**Caution: Turn off power to electrical box before installing**



**Note:**

For optimum performance, an electronic low voltage dimmer should be used. Installation of a low voltage dimmer requires a neutral lead in the switch box for proper wiring.

If employing a standard incandescent dimmer, low levels of noise ("buzzing") may emanate from either the dimmer or transformer. This is usually caused by dimmer/transformer incompatibility and may be eliminated by simply replacing the dimmer.

1. Carefully remove parts from package.
2. Connect the house ground wire to the Bare Copper Lead and secure with wirenut provided (A). Connect the electrical leads from the Transformer to the house supply wires, black to black and white to white, and secure with wirenuts provided (B).
3. Align the Openings (C) on the Canopy with the Threaded Holes (D) on the Supply Box. Push the Canopy over the Supply Box until the Canopy is flush to the ceiling, then secure with the Threaded Screws (E). It is important that the Supply Box is deep enough to allow for the Transformer.
4. Place the Decorative Cover (F) over the threaded nipple on the canopy, then attach the Besa Quick Connect Element (G). The Besa Quick Connect Element is furnished separately.
5. With the power still off, insert bulb of not more than the labeled wattage on the Quick Connect Element.
6. Turn power on.

All electrical connections and the installation of this fixture must be in agreement with local codes, ordinances or the NEC (National Electric Code) or CEC (Canadian Electrical Code). Do not connect this fixture to an electrical system that does not provide a means for equipment grounding.

# QUICK CONNECT INSTALLATION GUIDE

Model XP-03 Series (Low Voltage Pendant Set 12V)



BESA LIGHTING

6695 Taylor Rd. Blacklick, OH 43004  
www.besalighting.com

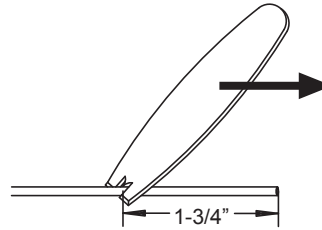
XPKIT.03, Rev.6 8-11

This low voltage Pendant Cord Assembly has been designed to be used with Besa Low Voltage Quick Connect Adapters. Operate with a low voltage transformer (12V) and never wire directly to 120 volts.

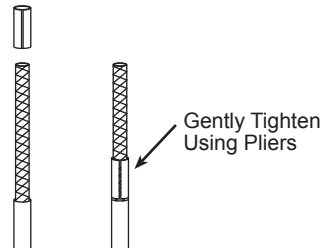
1. Making a clean cut, shorten the cord to the desired length.

2. Carefully strip off 1-3/4" of the outer jacket using the Stripping Tool provided.

**It is important not to damage the inner silver braiding. Practice this step on a scrap section of cord first.**

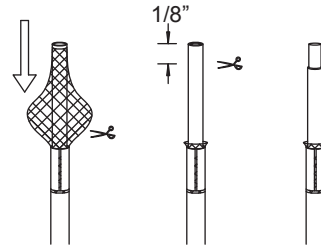


3. Slide the Brass Collar over the braiding. Make sure the Brass Collar does not damage the braiding to ensure a good connection.



4. Remove the exposed braiding by pulling away from the center conductor, then cutting off excess. Leave 1/16" of braided material or less.

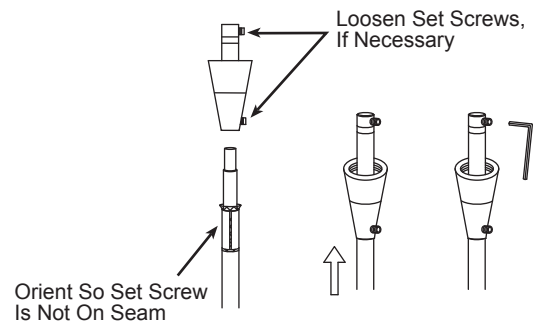
5. Strip off 1/8" of insulation from the Center Conductor. The exposed stranded wire of the Center Conductor must be tightly wound before proceeding.



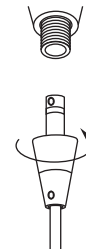
6. Feed the wire until it reaches the top set screw position. Confirm by viewing the Center Conductor through the Viewing Hole.

7. The Brass Collar should align with the bottom of the Quick Connect Jack, if not then trim the Center Conductor.

8. Tighten the top set screw first, then the lower. Do not overtighten the set screws and make sure the set screws avoid the seam in the Brass Collar. The pendant can now be installed onto Quick Connect Adapter.



9. Insert the post of the Quick Connect Jack into the Quick Connect Adapter. Thread the top half of the conical section until it seats with the adapter.



## IMPORTANT: KEEP THESE INSTRUCTIONS FOR YOUR RECORDS

**Replacement parts for this Low Voltage Pendant Set are as follows (lamp included):**

#XP-210C50-SN.03 - 50W 10' clear cordset with Nickel Hardware  
For Bronze cordset, use "Z" in place of "C" and "BR" in place of "SN"  
For 15' cordset, use "215" in place of "210"

**Lamps and Quick Connect Jacks Only:**

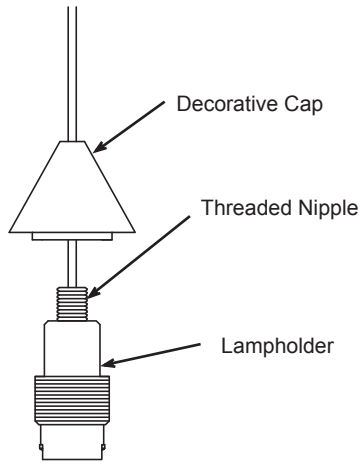
#TQJACK-SN - Nickel Quick Connect Jack  
#TQJACK-BR - Bronze Quick Connect Jack  
#B5506 - 50W Low-pressure Halogen 12V Bi-Pin GY6.35



# GLASS SHADE INSTALLATION GUIDE

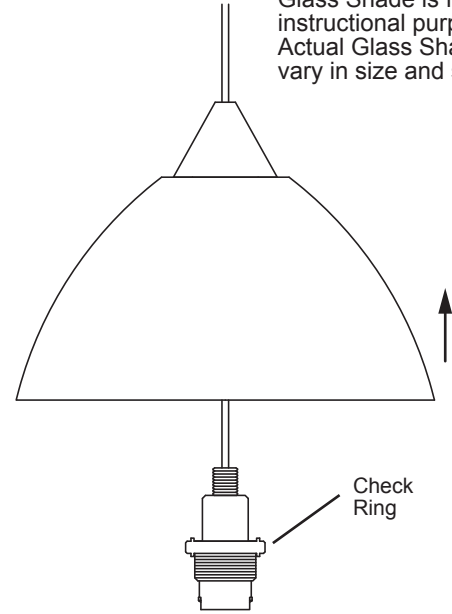
## Use With these Models:

- Kona (1176xx) (2824xx) (5504xx)
- Trilo 7 (2718xx)
- Kani (5121xx)

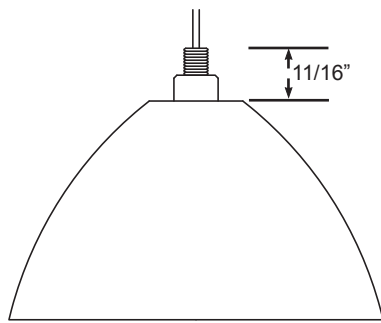


Prior to installing Quick Connect Fitting, the Decorative Cap and Threaded Nipple must be installed. The Decorative Cap and Threaded Nipple do not need to be secured at this time.

**NOTE:**  
Glass Shade is for instructional purposes. Actual Glass Shade may vary in size and shape.

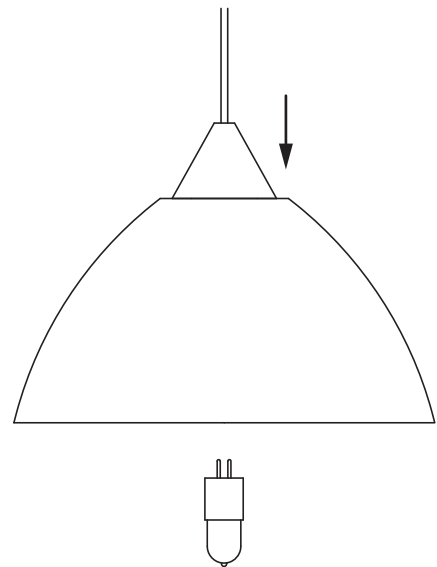


Install the Glass Shade by positioning up over the Lampholder and thread on the Check Ring completely, as shown.



This Pendant Cord Set has been designed to allow the Glass Shade to either rest freely or to be locked in position. To lock down Glass Shade, adjust the Threaded Nipple as shown. Otherwise, thread completely into Lampholder.

**NOTE:**  
If the Threaded Nipple can not extend to 11/16", lower the Check Ring as needed.



Relamp with a low-pressure type lamp, either xenon or halogen. Packaging of this lamp will typically indicate that it's "Suitable For Use in an Open Fixture" or marked with the symbol shown.



All electrical connections and the installation of this fixture must be in agreement with local codes, ordinances or the NEC (National Electric Code) or CEC (Canadian Electrical Code). Do not connect this fixture to an electrical system that does not provide a means for equipment grounding.