

FIXTURE INSTALLATION GUIDE

Model 1WP Series (One Light Wall Pendant 120V)

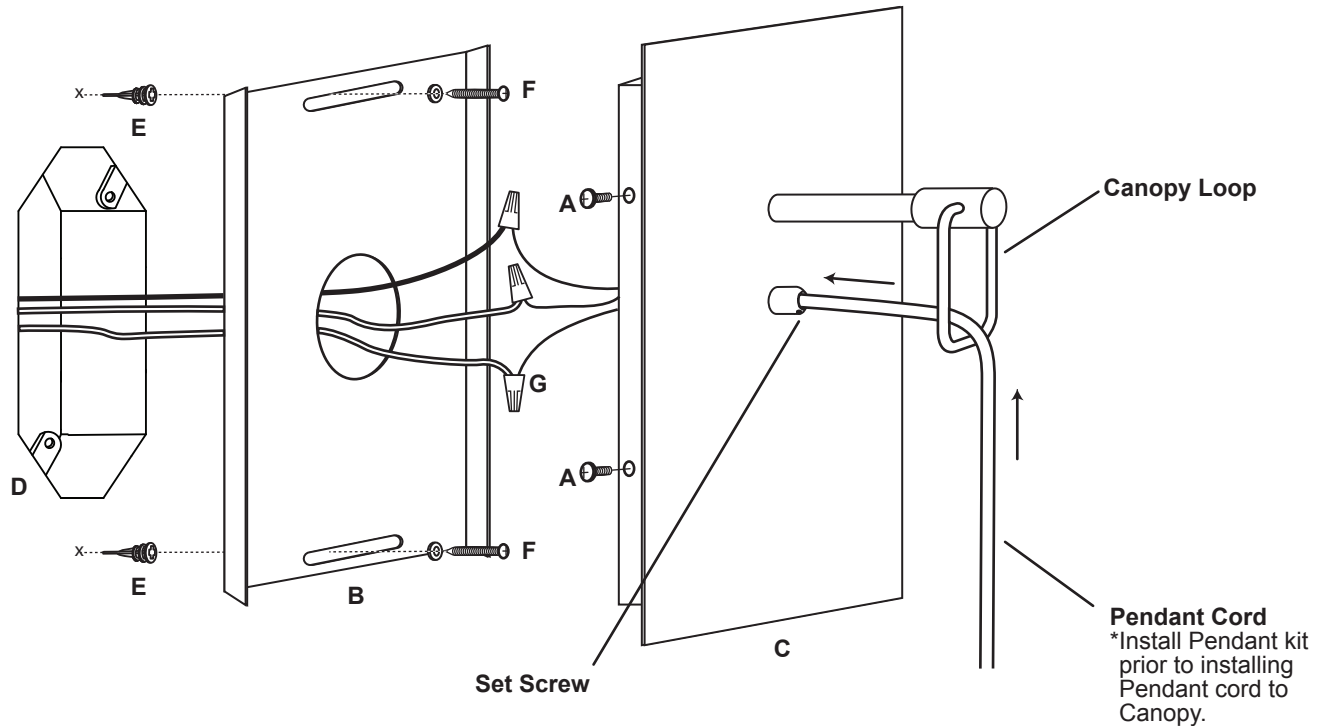


BESA LIGHTING

6695 Taylor Rd. Blacklick, OH 43004
www.besalighting.com

1WP, Rev.1 9-16

CAUTION: Turn off power to electrical box before installing



1. Carefully unpack parts. Loosen Canopy Screws (A) to release the Mounting Plate (B) from Canopy (C).
2. Place Mounting Plate (B) over Outlet Box (D) and mark placement for Wall Anchors (E) in the top and bottom slotted opening of the Mounting Plate (B). Remove the Mounting Plate (B) and install Wall Anchors (E) to the wall.
3. Pull the House Supply Wires through the circular opening of the Mounting Plate (B) and then install Mounting Plate (B) to the Wall Anchors (E) with the Washers and Wood Screws (F).
4. Install Pendant Kit to Pendant Cord (see Glass Shade Installation Guide) then Feed Pendant Cord into the Canopy Loop and then into the Canopy (C). Connect the Pendant Cord Wires to the House Supply wires as follows: Green Stripe to House Supply Ground, White Stripe to House Supply White, and Clear to Black and secure with Wirenuts (G) provided.

NOTE: To adjust Pendant Cord height by loosen the Set Screw on Canopy, then lower/raise to desired height and tighten the Set Screw. Do not overtighten.

5. Install the Canopy (C) onto the Mounting Plate (B) by aligning the Canopy (C) over the Mounting Plate (B) and installing the Canopy Screws (A).
6. Proceed to the Pendant Glass Shade installation guide.

All electrical connections and the installation of this fixture must be in agreement with local codes, ordinances or the NEC (National Electric Code) or CEC (Canadian Electrical Code).
Do not connect this fixture to an electrical system that does not provide a means for equipment grounding.

GLASS SHADE INSTALLATION GUIDE

Model J Series -96 (Med. Base Pendant Set 120V)



BESA LIGHTING

6695 Taylor Rd. Blacklick, OH 43004
www.besalighting.com

JKIT.96, Rev.1 10-16

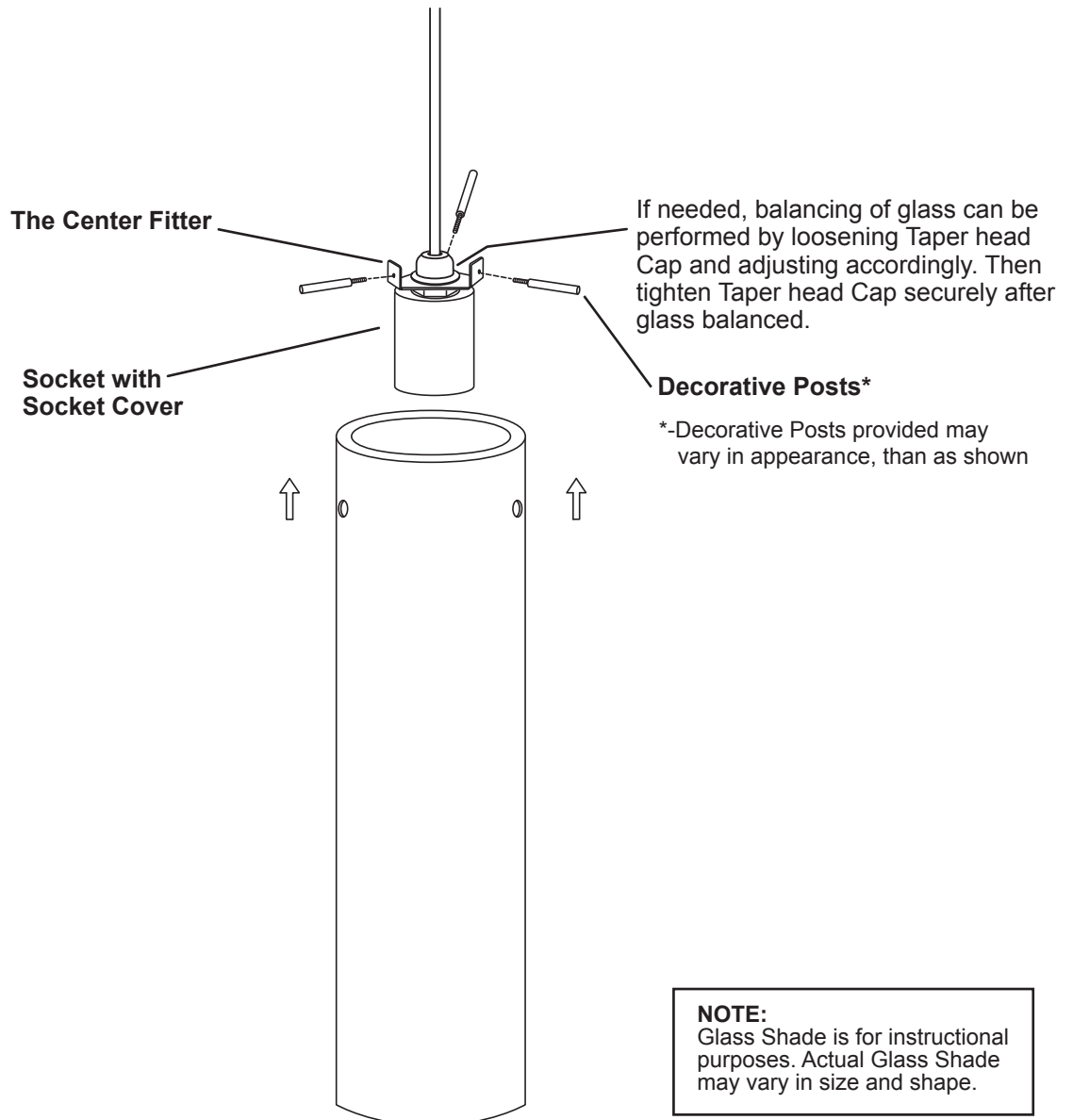
IMPORTANT: For installation of pendants and wiring, please refer to the **Fixture Installation Guide** included with fixture canopy

Use With these Models:

- Juni (JUNIxx)

1. Secure Glass Shade per the diagram, then install bulb per label on luminaire.
2. Restore power.

Install the glass shade by positioning up over the lampholder and then threading the Threaded Posts into the Center Fitter.



All electrical connections and the installation of this fixture must be in agreement with local codes, ordinances or the NEC (National Electric Code) or CEC (Canadian Electrical Code).
Do not connect this fixture to an electrical system that does not provide a means for equipment grounding.

Replacement parts for this 120V Voltage Pendant Set are as follows:

#TJ310C60-SN.96 - 60W 10' clear cordset with Nickel Hardware

For Bronze cordset, use "Z" in place of "C" and "BR" in place of "SN". For 15' cordset, use "315" in place of "310"