



SULTANA

120V PENDANTS

location:
DAMP

SPECIFICATIONS:

DESCRIPTION

Rope-hung pendant with inner SVT Cord, medium base socket and Black Wireform shade.

LAMPING

Standard: 40W Medium-based 120V, lamp not included. Dimmable with standard incandescent dimmer (not included).

LED Filament: 7W Replaceable Filament A19 lamp, 120V, dimmable, 90+ CRI, 3000°K CCT, 800 lumens, 15,000 hours, lamp included.

DIFFUSER

Shade shall be made of woven metal rods in Black finish.

Cylinder (C): 7.9" L x 15.2" H x 10.5" D

Flare (F): 10.8" L x 17.8" H x 11.8" D

Globe (G): 10.3" L x 14.1" H x 11.67" D

SUSPENSION

Rope-hung: 6'-0" long and 2" dia natural hemp rope, field-cutable with inner SVT Cord. Also available as 3-light fixture.

MOUNTING

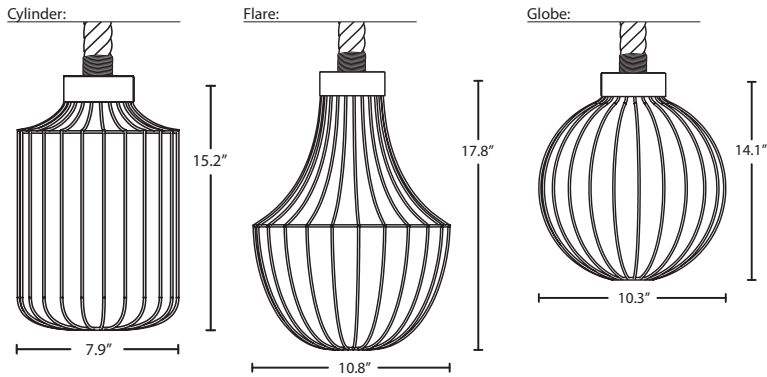
Black flat canopy with support hook, installs directly to a 4" octagonal ceiling box. Suitable for sloped ceilings.

LABELS

UL or ETL Listed. Suitable for Damp Locations (interior use only).



FLARE (SULTANA-F) & GLOBE (SULTANA-G)



SULTANA-C
CYLINDER

ORDERING:

CONNECTION	SHADE OPTIONS	LAMP OPTIONS	METAL FINISH	OPTIONS
Pendant Fixtures	SULTANA-C Cylinder	(blank) 40W Incan	BK Black	L 15' Rope
1JT Flat Canopy	SULTANA-F Flare	EDIL 7W LED Filament		
3JW 3-Lt. 13" Round	SULTANA-G Globe			

*Consult factory for custom lengths or multi light options

Ex. 1JT-SULTANA-C-BK
Sultana Cylinder Pendant,
Black Finish

Project Information:



Swag T104-BK



Canopy detail

All dimensions provided are nominal. Allowance must be made for dimensional tolerance in handcrafted glasses.

REV 5/22