

PENDANT CORD INSTALLATION GUIDE

Model XC/XT Series -Modus (Low Voltage LED Pendant Set 12V)

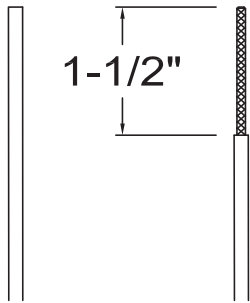


BESA LIGHTING

6695 Taylor Rd. Blacklick, OH 43004
www.besalighting.com

UKIT.Modus-LED, Rev.1 10-16

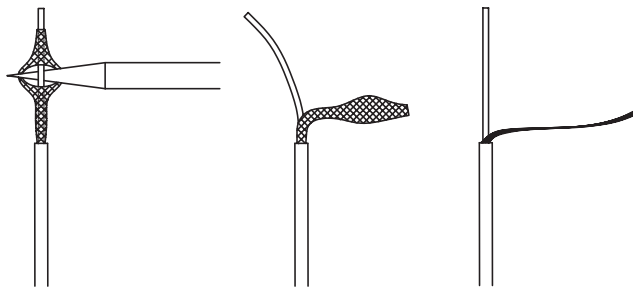
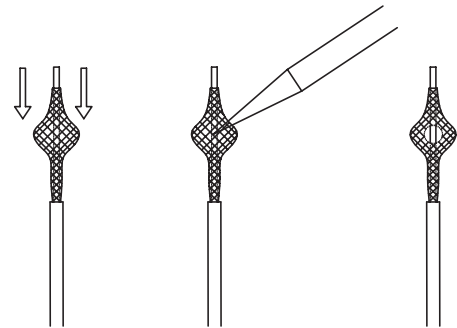
SHORTENING LENGTH OF PENDANT CORD



Carefully measure the desired length of cord and cut off the excess. It is important to leave an additional 6" that will be inside the canopy for connection to your transformer. Using the 10 AWG setting, strip off 1-1/2" of outer teflon jacket with a pair of wire strippers.

Gently push the silver metal braiding downward on the cord, causing the braiding to create a bubble shape as shown.

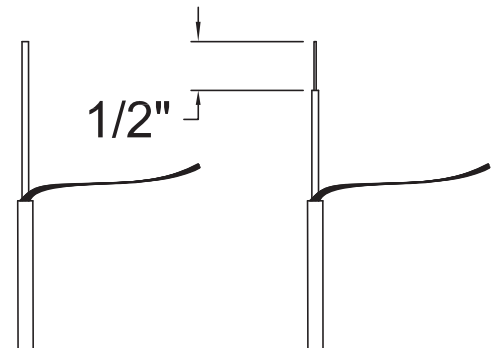
Using a pointed object, such as a pencil, expand an opening in the silver braiding until the inner conductor is clearly exposed.



Once the inner conductor is exposed, it can now be separated from the braiding. Slide the pointed object between the inner conductor and the braiding, as shown. Gently wedge the inner conductor apart from the braiding. Now twist the braiding tightly into a conductor.

Strip 1/2" insulation from the inner conductor. The pendant cord is now ready for installation (Refer to the Canopy Instructions).

After connection to the transformer, it is recommended that any exposed portion of the braided conductor be wrapped with electrical tape.



IMPORTANT: KEEP THESE INSTRUCTIONS FOR YOUR RECORDS

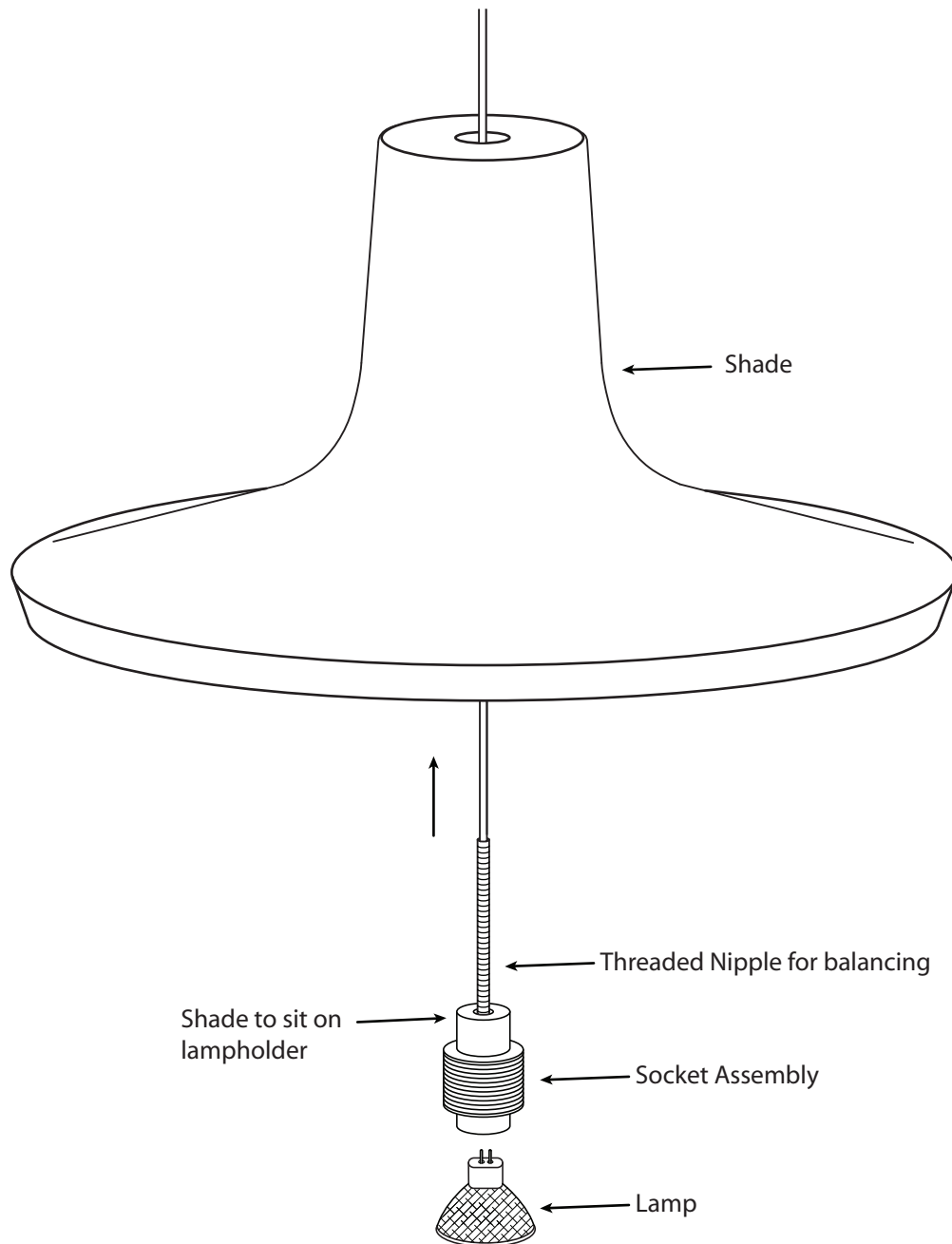


GLASS SHADE INSTALLATION GUIDE

**Use With
these Models:**

- Modus
(MODUSXX)

1. Install Shade per diagram below.
2. Restore power.



All electrical connections and the installation of this fixture must be in agreement with local codes, ordinances or the NEC (National Electric Code) or CEC (Canadian Electrical Code). Do not connect this fixture to an electrical system that does not provide a means for equipment grounding.