



COCO

120V OUTDOOR PENDANTS

location:
DAMP

SPECIFICATIONS:

DESCRIPTION

The globe-shaped Coco is a European blown glass with a neutral décor and classic shape that blends gracefully into all environments.

LAMPING

Standard: 60W MAX A19 E26 base, 120V, lamp not included. Dimmable with standard incandescent dimmer (not included).

LED: 9W Replaceable source, 120V, dimmable, 90+ CRI, 3000°K CCT, 800 lumens, 30,000 hours. Lamp included. (Standard CCT is 3000K, 3500K and 4000K are also available)

DIFFUSER

Shade shall be handcrafted glass of various decors.

Coco 8: 7.875" Dia. x 7.5" H

Coco 12: 11.75" Dia. x 11.5" H

SUSPENSION

Cord-hung: 10' SVT-type cord. Jacket coordinates with metal finish. Plated stamped steel construction. Black finish.

Stem-mount: Includes 18" field cuttable rigid sleeve and swivel and canopy. Black finish. *Additional Stem Sections can be ordered under accessories.

MOUNTING

Installs directly to a 4" octagonal or round ceiling box. Suitable for sloped ceilings.

LABELS

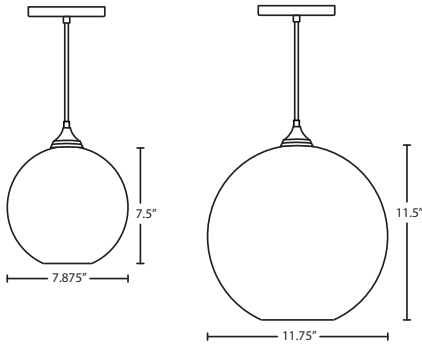
UL or ETL Listed. Suitable for Damp Locations (exterior use under covered ceiling only).



COCO 8 SHOWIN IN OPAL (COCO807)

Coco 8:

Coco 12:



CARRERA



Project Information:

For ordering information, see next page

All dimensions provided are nominal.
Allowance must be made for dimensional tolerance in handcrafted glasses.

REV 9/24



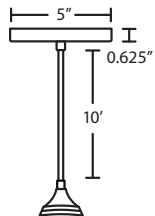
ORDERING:

CONNECTION -	SHADE OPTIONS	- LAMP OPTIONS -	FINISH	- OPTIONS
Cord Fixture	COC0807 8" Opal	(blank) E26 base	BK Black	ST Stem
OP 1 Lt.	COC0819 8" Carrera	LED 9W LED		Mount
Outdoor	COC01207 12" Opal			Kit, 18"
	COC01219 12" Carrera			

***Additional interlocking 18" Sleeve (ST18-BK)** Ex. **OP-COC0819-BK**
 Coco 8 Outdoor Pendant w/ Carrera Glass Shade, Black Finish, Flat Canopy

OUTDOOR PENDANT OPTIONS:

OP OUTDOOR CORD-HUNG PENDANT



- *For usage under covered ceiling*
- Flat (OP) Canopy style
- Suitable for sloped ceilings
- Cord: 10' Black SVT
- Also available in 15'
- Black finish
- Stem Mount Kit are available in 18" lengths

ACCESSORIES:

ADDITIONAL INTERLOCKING 18" SLEEVE:

If concealing the cord is desired on a Cord-hung Pendant, order our 0.25" dia. metal sleeves. Each sleeve is 18" long and may be field cut.

ST18-BK Black 18" Interlocking Sleeve