



# TIMO 6

12V MINI PENDANTS

location:  
**DRY**

## SPECIFICATIONS:

### DESCRIPTION

Low voltage mini pendant with glass diffuser and metal cap.

### LAMPING

**LED:** 9W Replaceable 12V LED MR16, dimmable, 80+ CRI, 3000°K CCT, 525 lumens, 25,000 hours. Lamp included. Dimmable with ELV Dimmer (not included).

### DIFFUSER

Conical shade shall be clear or smoke glass with opaque white or black top. 6" Dia. x 8.5" H

### CORD

Standard cord is 10' field-adjustable coaxial type with teflon jacket and decorative sleeve at the socketholder. Jacket tint coordinates with metal finish. Cords also available in 15' lengths.

### STANDARD PENDANT (1XC, 1XT, X)

Mini pendant comes complete with either dome-style or flat-style canopy. See next page for multi light options with "X" prefix.

### QUICK-CONNECT OPTION (XP, RXP)

Quick-Connect Jack is compatible with Besa Rail Adapter.

### METAL FINISH

Glass retainer hardware, sleeve and Quick-Connect Jack and/or canopies are finished in either Black, Bronze or Satin Nickel.

### MOUNTING

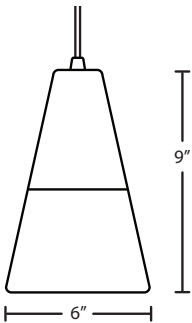
Installs directly to a 4" octagonal ceiling box. Suitable for sloped ceilings.

### LABELS

UL or ETL Listed. Suitable for Dry Locations (interior use only).



TIMO 6 IN SMOKE/BLACK (TIMO6BS) WITH BLACK FINISH & CLEAR/WHITE (TIMO6WC)



**Project Information:**

**For ordering information, see next page**

All dimensions provided are nominal. Allowance must be made for dimensional tolerance in handcrafted glasses.

**REV 9/24**



### ORDERING:

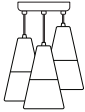
CONNECTION	GLASS OPTIONS	LAMP OPTIONS	METAL FINISH	OPTIONS
Quick-Connect	<b>TIMO6BC</b> 6" Clear/Black	<b>LED 9W LED</b>	<b>BK</b> Black	<b>L</b> 15' cord
<b>XP</b> Jack Only	<b>TIMO6WC</b> 6" Clear/White		<b>BR</b> Bronze	<b>277</b> 277V
<b>RXP</b> Rail-Ready	<b>TIMO6BS</b> 6" Smoke/Black		<b>SN</b> Satin Nickel	<b>DIM010</b> 0-10V Dimming
	<b>TIMO6WS</b> 6" Smoke/White			

Pendant Fixtures

- 1XC** Dome Canopy
- 1XT** Flat Canopy

Multi light

- X** For Multi light Canopy

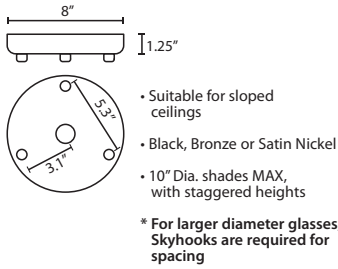


Multilight Canopies Available, see options on right.

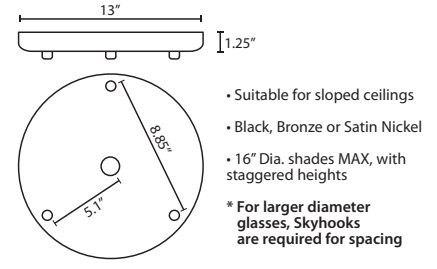
**Ex. 1XT-TIMO6BC-LED-SN**  
Timo 6 LED Pendant, Clear/Black Shade, Satin Nickel Finish

### MULTIPOINT CANOPY OPTIONS FOR CORD PENDANTS

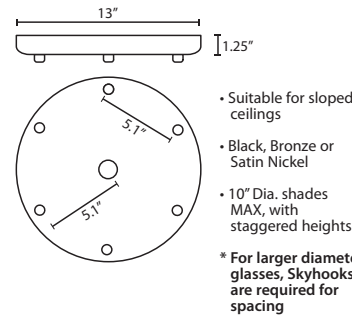
#### T23X 3 LIGHT ROUND CANOPY



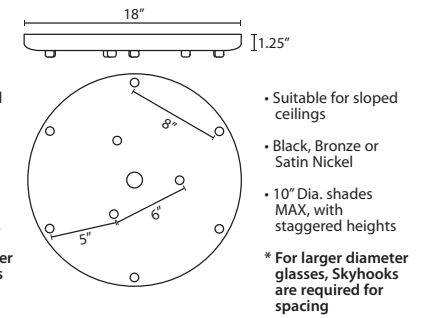
#### T23XL 3 LIGHT LARGE ROUND CANOPY



#### T26X 6 LIGHT ROUND CANOPY



#### T29X 9 LIGHT ROUND CANOPY



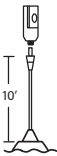
### QUICK-CONNECT OPTIONS:

#### XP PENDANT ELEMENT ONLY



- Pendant Shade and Cord/Socket Set
- 10' Field-adjustable braided coaxial-type cord with a teflon jacket (clear or bronze tint coordinates with metal finish)
- Quick-Connect Jack provided
- Compatible with Besa Canopies and Rail Adapter
- Black, Bronze or Satin Nickel metal finishes

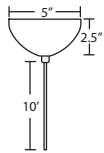
#### RXP PENDANT + RAIL ADAPTER



- READY FOR RAIL**
- Pendant Shade and Cord/Socket Set, plus Rail Adapter
  - 10' Field-adjustable braided coaxial-type cord with a teflon jacket (clear or bronze tint coordinates with metal finish)
  - Quick-Connect Jack provided
  - Compatible with Besa Monorail System
  - Black, Bronze or Satin Nickel metal finishes

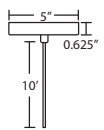
### FIXED PENDANT OPTIONS:

#### 1XC 1 LIGHT PENDANT, DOME CANOPY



- NO CORD CUTTING REQUIRED**
- Suitable for use on sloped ceilings
  - 1x electronic 60W dimmable 120V transformer
  - Installs to standard 4" octagonal junction box
  - Black, Bronze or Satin Nickel metal finishes

#### 1XT 1 LIGHT PENDANT, FLAT CANOPY



- Suitable for use on sloped ceilings
- 1x electronic 60W dimmable 120V transformer, fits partially in junction box
- Installs to standard 4" octagonal junction box
- Black, Bronze or Satin Nickel metal finishes

#### X 1 LIGHT PENDANT FOR MULTIPOINT CANOPIES



- Suitable for use on sloped ceilings
- 1x electronic 60W dimmable 120V transformer, fits partially in junction box
- Installs to standard 4" octagonal junction box
- Black, Bronze or Satin Nickel metal finishes

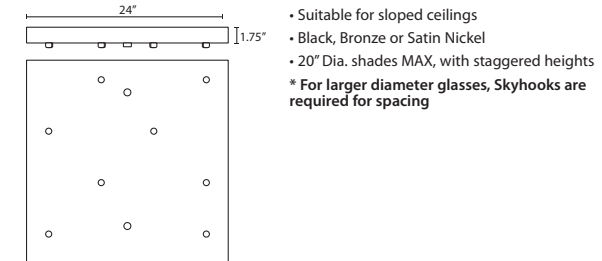
### ADDITIONAL OPTIONS:

**277V:**  
For 277V option, add an "277" to the end of the item number, i.e. 1XT-174352-SN-277.

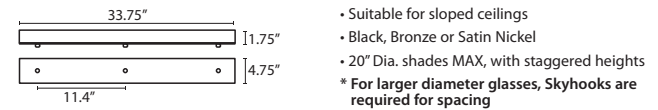
**0-10V Dimming:**  
For 0-10V Dimming option, add an "DIM010" to the end of the item number, i.e. 1XT-174352-SN-DIM010.

**15ft. CORD LENGTH:**  
For longer 15' cord, add an "L" to the end of the item number, i.e. 1XT-174352-SNL.

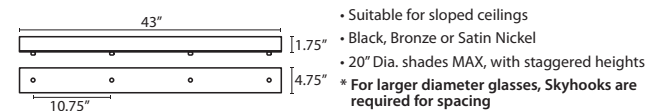
#### T28S 8 LIGHT SQUARE CANOPY



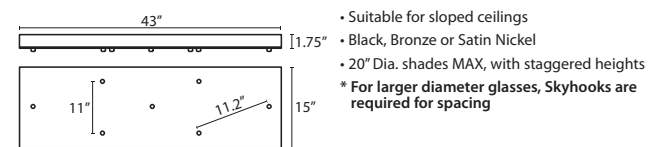
#### T23V 3 LIGHT BAR CANOPY



#### T24V 4 LIGHT BAR CANOPY



#### T27V 7 LIGHT BAR CANOPY



### HOW TO ORDER A MULTILIGHT FIXTURE

Order your canopy with the selected 12V multi light pendants (indicated by "X" prefix) for the complete fixture:

**Example: 1x T23XL-LED-SN (3 Light Large Round LED Canopy)**

- 1x X-TIMO6WC-LED-SN (Timo 6 LED Pendant in Clear/White)**
- 1x X-TIMO6BC-LED-SN (Timo 6 LED Pendant in Clear/Black)**
- 1x X-TIMO6WS-LED-SN (Timo 6 LED Pendant in Smoke/White)**