



# LINDY

120V PENDANTS

## SPECIFICATIONS:

### DESCRIPTION

The Lindy Pendant merges a bold brushed metallic exterior with a subdued interior tint. Upon illumination, the color takes a pleasing glow for an interesting effect.

### LAMPING

**Standard:** 60W A19 Medium-based 120V incandescent, lamp not included. Dimmable with standard incandescent dimmer (not included).

**LED:** 9W Replaceable source, 120V, CL dimmable, 90+ CRI, 3000°K CCT, 800 lumens, 30,000 hours. Lamp included. (Standard CCT is 3000K, 3500K and 4000K are also available)

### SHADE

Shade shall be of spun metal exterior with white powder coat on the interior. 4" Dia. x 10" H

### SUSPENSION

**Cord-hung:** 10' SVT-type cord, complete with 5" decorative sleeve at the socketholder. Jacket coordinates with metal finish. Plated stamped steel construction. Black or Satin Nickel. See next page for mult light options.

### MOUNTING

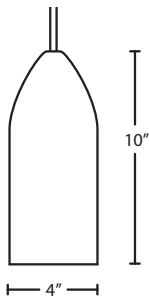
Installs directly to a 4" octagonal or round ceiling box. Suitable for sloped ceilings.

### LABELS

UL or ETL Listed. Suitable for Damp Locations (interior use only). Consult factory concerning lower wattage labeling for energy requirements.



LINDY SHOWN IN WHITE (LINDWH) WITH BLACK FINISH AND WHITE (LINDWH)



### Project Information:

**For ordering information, see next page**

All dimensions provided are nominal. Allowance must be made for dimensional tolerance in handcrafted glasses.

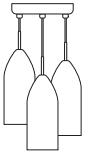
**REV 6/24**



ORDERING:

CONNECTION	SHADE OPTIONS	LAMP OPTIONS	METAL FINISH	OPTIONS
Pendant Fixtures	<b>LINDWH</b> White	(Blank) 60W A19 120V	<b>BK</b> Black	<b>L</b> 15' cord
<b>1JC</b> Dome Canopy		<b>LED*</b> 9W LED 120V, dimmable	<b>SN</b> Satin Nickel	<b>LW</b> Low wattage labeling
<b>1JT</b> Flat Canopy				

Multi light Cord Fixture  
**J** For Multi light Canopy



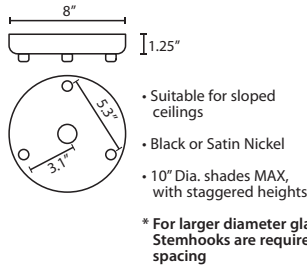
Multilight Canopies Available, see page 11

\*CCT options available (contact factory)

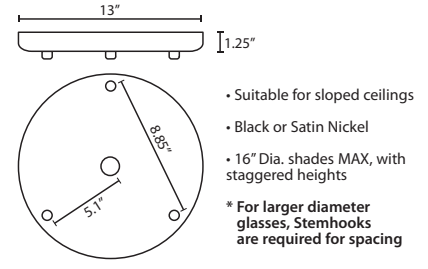
**Ex. 1JT-LINDWH-SN**  
Lindy Pendant, White, Satin Nickel Finish, Flat Canopy

MULTIPOINT CANOPY OPTIONS FOR CORD PENDANTS

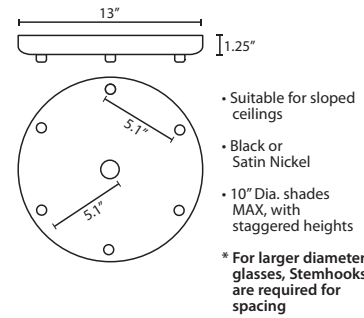
T33X 3 LIGHT ROUND CANOPY



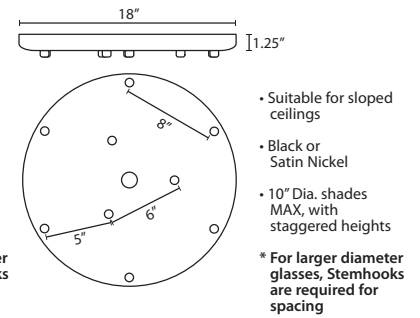
T33XL 3 LIGHT LARGE ROUND CANOPY



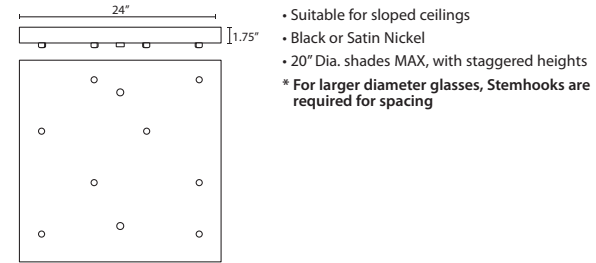
T36X 6 LIGHT ROUND CANOPY



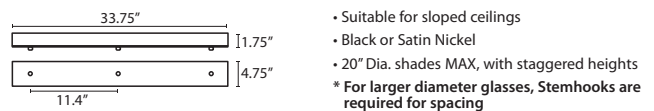
T39X 9 LIGHT ROUND CANOPY



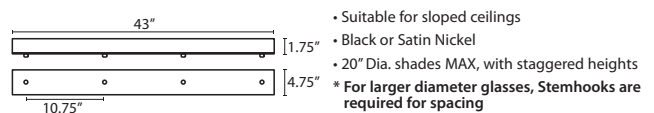
T38X 8 LIGHT SQUARE CANOPY



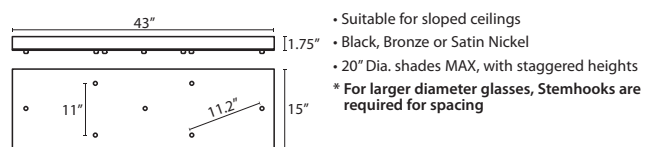
T33V 3 LIGHT BAR CANOPY



T34V 4 LIGHT BAR CANOPY



T37V 7 LIGHT BAR CANOPY



HOW TO ORDER A MULTILIGHT FIXTURE

Order your canopy with the selected 120V multi light pendants (indicated by "B" or "J" prefix) for the complete fixture:

**Example: 1x T33X-SN (3 Light Round Canopy)**

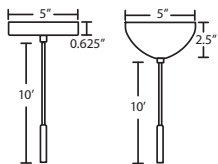
**1x J-LINDWH-SN (Lindy Pendant in White)**

**1x J-LINDWH-SN (Lindy Pendant in White)**

**1x J-LINDWH-SN (Lindy Pendant in White)**

PENDANT OPTIONS:

1JT / 1JC / J CORD-HUNG PENDANT



- Flat (1JT) or Dome (1JC) Canopy styles. Dome style allows adjustment without cutting cord.
- "J" option is pendant less canopy for multipoint canopy (options to the right)
- Suitable for sloped ceilings
- Cord: 10' SVT, 5" sleeve at socketholder
- Also available in 15'
- Black or Satin Nickel
- Cord Sleeves are available in 18" lengths

ACCESSORIES:

LONGER CORD LENGTHS:

Longer cord length of 15' available. Add an "L" to the end of the item number, i.e. 1JC-169707-SN-L.

LOW WATTAGE LABELING:

Incandescent fixture supplied with 16 watt relamp label.

Add an "LW" to the end of the item number, i.e. 1JC-169707-SN-LW.

CORD SLEEVES:

If concealing the cord is desired on a Cord-hung Pendant, order our 0.25" dia. metal sleeves. Each sleeve is 18" long and may be field cut.

- T118-BK** Black
- T118-SN** Satin Nickel

STEMHOOKS:

Suspension hooks allow cord drops to be placed wherever desired. Suitable for sloped ceilings or for greater multilight spacing

- T103BK** Black
- T103SN** Satin Nickel