



TAMBURO 5

120V PENDANTS

location:
DAMP

SPECIFICATIONS:

DESCRIPTION

Tamburo is a classic open-ended cylinder of handcrafted European glass, a shape that will stand the test of time.

LAMPING

Standard: 100W MAX A19 E26 base, 120V, lamp not included. Dimmable with standard incandescent dimmer (not included).

LED: 11W Replaceable source, 120V, dimmable, 90+ CRI, 3000°K CCT, 1100 lumens, 30,000 hours. Lamp included. (Additional Color Temperatures available, including 3500°K and 4000°K)

DIFFUSER

Shades shall be handcrafted glass in various decors. 4.75" Dia. x 8.25" H

SUSPENSION

Cord-hung: 10' SVT-type cord, complete with 5" decorative sleeve at the socketholder. Jacket coordinates with metal finish. Plated stamped steel construction. Black, Bronze or Satin Nickel. See next page for mulit light options.

Stem-mount: Includes 4 connectable stem sections (3", 6", 12" and 18" lengths) plus telescoping piece for up to 3" adjustment, 10' max. 5" Dia. canopy (with swivel) and stem sections are plated steel. Black, Bronze or Satin Nickel.
*Additional Stem Sections can be ordered under accessories.

MOUNTING

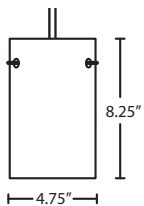
Installs directly to a 4" octagonal or round ceiling box. Suitable for sloped ceilings.

LABELS

UL or ETL Listed. Suitable for Damp Locations (interior use only). Consult factory concerning lower wattage labeling for energy requirements.



TAMBURO 5 SHOWN IN OPAL MATTE (400507) & TITAN (4005TN)



For ordering information, see next page

All dimensions provided are nominal.
Allowance must be made for dimensional tolerance in handcrafted glasses.

REV 9/24



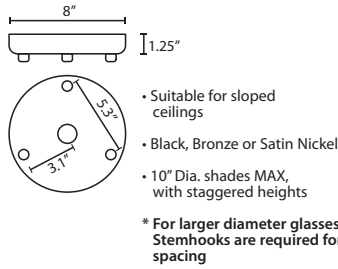
ORDERING:

CONNECTION	SHADE OPTIONS	LAMP OPTIONS	METAL FINISH	OPTIONS
Cord Fixture	400507 5" Opal Matte	(blank) E26 base	BK Black	L 15' cord
1JC 1 Lt. Dome	4005CH 5" Cherry	LED* 11W LED	BR Bronze	LW Low
1JT 1 Lt. Flat	4005KR 5" Chalk	*CCT options available (contact factory)	SN Satin Nickel	wattage labeling
3x Cable Fixture	4005OK 5" Oak			
1KG 1 Lt. Flat	4005TN 5" Titan			
Stem Fixture				
1TT 1 Lt. Flat				
Multi light				
J For Multi light Canopy				
Multilight Canopies Available, see right				

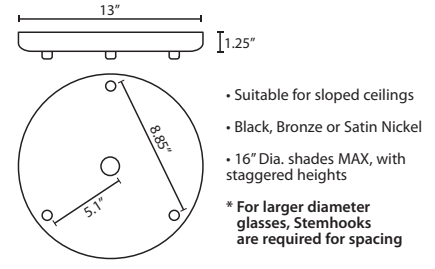
Ex. 1KG-4005TN-SN
Tamburo 5 Pendant w/ Titan Glass Shade, Satin Nickel Finish

MULTIPOINT CANOPY OPTIONS FOR CORD PENDANTS

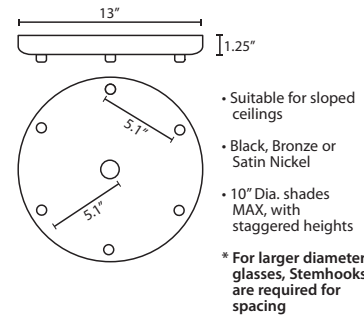
T33X 3 LIGHT ROUND CANOPY



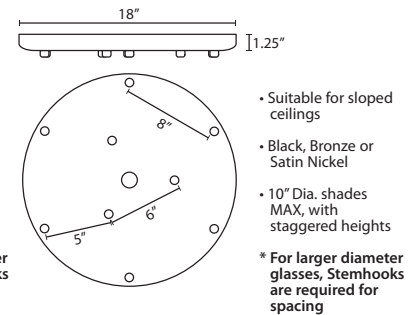
T33XL 3 LIGHT LARGE ROUND CANOPY



T36X 6 LIGHT ROUND CANOPY

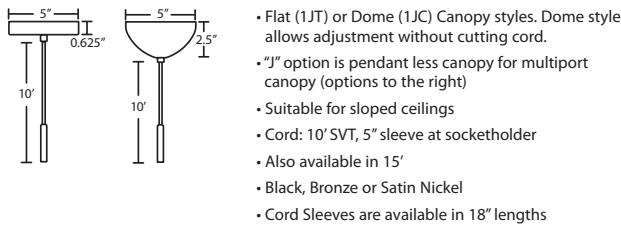


T39X 9 LIGHT ROUND CANOPY

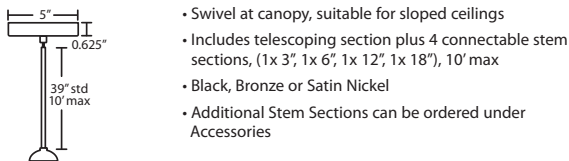


PENDANT OPTIONS:

1JT / 1JC / J CORD-HUNG PENDANT



1TT STEM PENDANT



ACCESSORIES:

ADDITIONAL STEM SECTIONS:

Additional connecting stems are available to increase overall length of a Stem Pendant, up to 10' max. Telescoping adjustable section allows up to 3" movement.

T20A-SN, BK or BR	Adj. Section
T203-SN, BK or BR	3" Section
T206-SN, BK or BR	6" Section
T212-SN, BK or BR	12" Section
T218-SN, BK or BR	18" Section

LONGER CORD LENGTHS:

Longer cord length of 15' available. Add an "L" to the end of the item number, i.e. 1JC-169707-SN-L.

LOW WATTAGE LABELING:

Incandescent fixture supplied with 16 watt relamp label. Add an "LW" to the end of the item number, i.e. 1JC-169707-SN-LW.

CORD SLEEVES:

If concealing the cord is desired on a Cord-hung Pendant, order our 0.25" dia. metal sleeves. Each sleeve is 18" long and may be field cut.

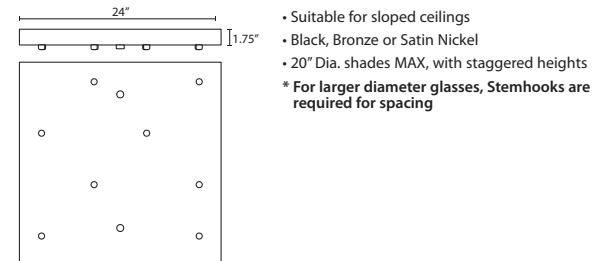
T118-BK	Black
T118-BR	Bronze
T118-SN	Satin Nickel

STEMHOOKS:

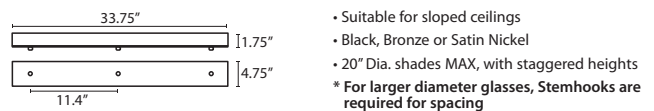
Suspension hooks allow cord drops to be placed wherever desired. Suitable for sloped ceilings or for greater multilight spacing

T103BK	Black
T103BR	Bronze
T103SN	Satin Nickel

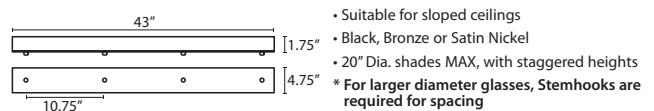
T38X 8 LIGHT SQUARE CANOPY



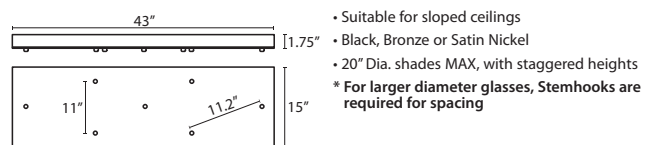
T33V 3 LIGHT BAR CANOPY



T34V 4 LIGHT BAR CANOPY



T37V 7 LIGHT BAR CANOPY



HOW TO ORDER A MULTILIGHT FIXTURE

Order your canopy with the selected 120V multi light pendants (indicated by "B" or "J" prefix) for the complete fixture:

Example: 1x T33X-SN (3 Light Round Canopy)

1x J-400507-SN (Tamburo 5 Pendant in Opal Matte)

1x J-400507-SN (Tamburo 5 Pendant in Opal Matte)

1x J-400507-SN (Tamburo 5 Pendant in Opal Matte)