



JUNI 10 / 16

120V PENDANTS

SPECIFICATIONS:

DESCRIPTION

The Juni Pendant is composed of a transparent European glass cylinder, with an interesting bubble pattern blown randomly throughout the glass.

LAMPING

Standard: 60W T10 Medium-based 120V, lamp not included. Dimmable with standard incandescent dimmer (not included).

LED Filament: 8W Replaceable LED Filament T-shape lamp, 120V, CL dimmable, 90+ CRI, 3000°K CCT, 800 lumens, 25,000 hours, lamp included.

DIFFUSER

Shade shall be handcrafted glass of various decors.

Juni 10: 3.5" Dia. x 10" H

Juni 16: 3.5" Dia. x 16" H

SUSPENSION

Cord-hung: 10' SVT-type cord, complete with 5" decorative sleeve at the socketholder. Jacket coordinates with metal finish. Plated stamped steel construction. Black, Bronze or Satin Nickel. See next page for mult light options.

Stem-mount: Includes 4 connectable stem sections (3", 6", 12" and 18" lengths) plus telescoping piece for up to 3" adjustment, 10' max. 5" Dia. canopy (with swivel) and stem sections are plated steel. Black, Bronze or Satin Nickel.

*Additional Stem Sections can be ordered under accessories.

MOUNTING

Installs directly to a 4" octagonal or round ceiling box. Suitable for sloped ceilings.

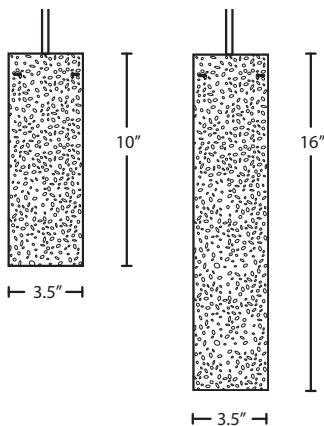
LABELS

UL or ETL Listed. Suitable for Damp Locations (interior use only).

Consult factory concerning lower wattage labeling for energy requirements.



JUNI 10 SHOWN IN BLUE BUBBLE (JUNI10BL) & JUNI 16 SHOWN IN MOSS BUBBLE (JUNI16MS)



CLEAR BUBBLE

GOLD BUBBLE

LATTE BUBBLE

PLUM BUBBLE



Project Information:

For ordering information, see next page

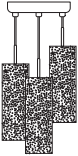
All dimensions provided are nominal. Allowance must be made for dimensional tolerance in handcrafted glasses.



ORDERING:

CONNECTION	SHADE OPTIONS	LAMP OPTIONS	METAL FINISH	OPTIONS
Pendant Fixtures	JUNI10BL 10" Blue Bubble	(blank) 60W T10	BK Black	L 15' cord
1JC Dome Canopy	JUNI10CL 10" Clear Bubble	EDIL 8W LED	BR Bronze	LW Low wattage labeling
1JT Flat Canopy	JUNI10GD 10" Gold Bubble	Filament	SN Satin Nickel	
	JUNI10LT 10" Latte Bubble			
Stem Fixtures	JUNI10MS 10" Moss Bubble			
1TT Flat Canopy	JUNI10PL 10" Plum Bubble			
	JUNI16BL 16" Blue Bubble			
Multi light Cord Fixture	JUNI16CL 16" Clear Bubble			
J For Multi light Canopy	JUNI16GD 16" Gold Bubble			
	JUNI16LT 16" Latte Bubble			
	JUNI16MS 16" Moss Bubble			
	JUNI16PL 16" Plum Bubble			

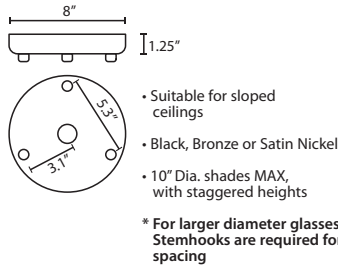
Ex. 1JT-JUNI10MS-SN
Juni 10 Pendant, Moss Bubble Glass,
Satin Nickel Finish, Flat Canopy



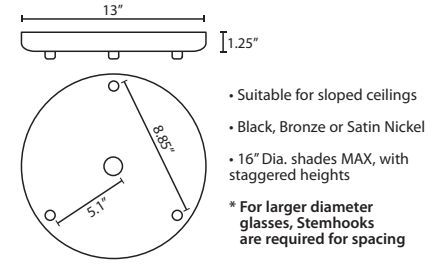
Multilight Canopies Available, see page 11

MULTIPOINT CANOPY OPTIONS FOR CORD PENDANTS

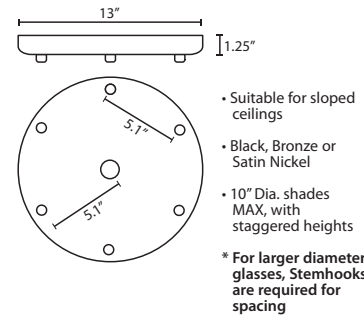
T33X 3 LIGHT ROUND CANOPY



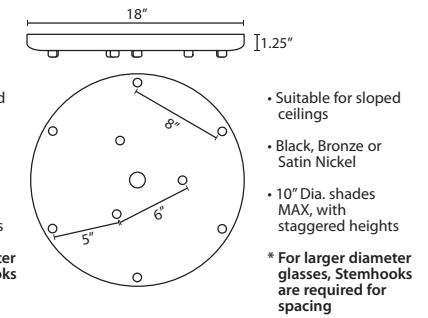
T33XL 3 LIGHT LARGE ROUND CANOPY



T36X 6 LIGHT ROUND CANOPY

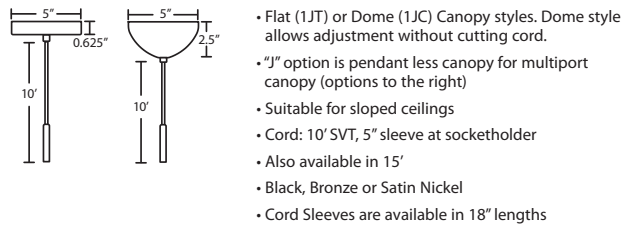


T39X 9 LIGHT ROUND CANOPY

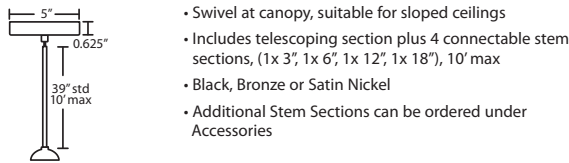


PENDANT OPTIONS:

1JT / 1JC / J CORD-HUNG PENDANT



1TT STEM PENDANT



ACCESSORIES:

ADDITIONAL STEM SECTIONS:

Additional connecting stems are available to increase overall length of a Stem Pendant, up to 10' max. Telescoping adjustable section allows up to 3" movement.

T20A-SN, BK or BR	Adj. Section
T203-SN, BK or BR	3" Section
T206-SN, BK or BR	6" Section
T212-SN, BK or BR	12" Section
T218-SN, BK or BR	18" Section

LONGER CORD LENGTHS:

Longer cord length of 15' available. Add an "L" to the end of the item number, i.e. 1JC-169707-SN-L.

LOW WATTAGE LABELING:

Incandescent fixture supplied with 16 watt relamp label. Add an "LW" to the end of the item number, i.e. 1JC-169707-SN-LW.

CORD SLEEVES:

If concealing the cord is desired on a Cord-hung Pendant, order our 0.25" dia. metal sleeves. Each sleeve is 18" long and may be field cut.

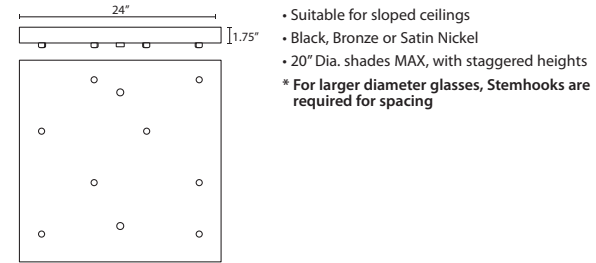
T118-BK	Black
T118-BR	Bronze
T118-SN	Satin Nickel

STEMHOOKS:

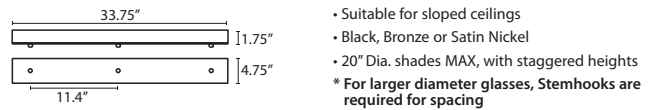
Suspension hooks allow cord drops to be placed wherever desired. Suitable for sloped ceilings or for greater multilight spacing

T103BK	Black
T103BR	Bronze
T103SN	Satin Nickel

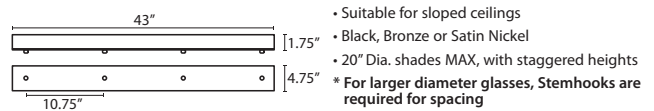
T38X 8 LIGHT SQUARE CANOPY



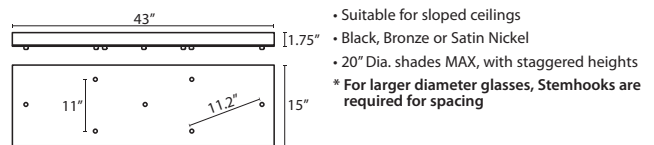
T33V 3 LIGHT BAR CANOPY



T34V 4 LIGHT BAR CANOPY



T37V 7 LIGHT BAR CANOPY



HOW TO ORDER A MULTILIGHT FIXTURE

Order your canopy with the selected 120V multi light pendants (indicated by "B" or "J" prefix) for the complete fixture:

Example: 1x T33X-SN (3 Light Round Canopy)

- 1x J-JUNI10BL-SN (Juni 10 Pendant in Blue Bubble)
- 1x J-JUNI10GD-SN (Juni 10 Pendant in Gold Bubble)
- 1x J-JUNI16MS-SN (Juni 16 Pendant in Moss Bubble)