



# HULA 8

120V PENDANTS

location:  
**DAMP**

## SPECIFICATIONS:

### DESCRIPTION

The transitional Hula 8 Pendant employs an impressive European glass shade with center radiused band dividing an upper and lower transparent glass, ideal for semi-concealing the light source while offering a peripheral shimmer via the clear glass. Produced in a theme inspired by the farmhouse trends of today, this pendant offers a look that will easily merge into virtually any design theme.

### LAMPING

**Standard:** 60W Medium-based, 20V, lamp not included. Dimmable with standard incandescent dimmer (not included).

**LED Filament:** 8W Replaceable LED Filament lamp, 120V, CL dimmable, 3000°K CCT, 80+ CRI, 800 lumens, 25,000 hours, lamp included.

### DIFFUSER

Diffuser shall be of Clear glass with center radiused band in various decors. 8" Dia. x 7.75" H

### SUSPENSION

**Cord-hung:** 10' SVT-type cord, complete with 5" decorative sleeve at the socketholder. Jacket coordinates with metal finish. Plated stamped steel construction. Black, Bronze or Satin Nickel. See next page for multilight options.

**Stem-mount:** Includes 4 connectable stem sections (3", 6", 12" and 18" lengths) plus telescoping piece for up to 3" adjustment, 10' max. 5" Dia. canopy (with swivel) and stem sections are plated steel. Black, Bronze or Satin Nickel.

\*Additional Stem Sections can be ordered under accessories.

### MOUNTING

Installs directly to a 4" octagonal or round ceiling box. Suitable for sloped ceilings.

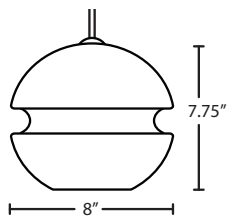
### LABELS

UL or ETL Listed. Suitable for Damp Locations (interior use only).

Consult factory concerning lower wattage labeling for energy requirements.



CLEAR/BLACK (HULA8BK)



HULA8SL  
CLEAR/SILVER



HULA8GD  
CLEAR/GOLD



Project Information:

**For ordering information, see next page**

All dimensions provided are nominal.  
Allowance must be made for dimensional tolerance in handcrafted glasses.

REV 6/24

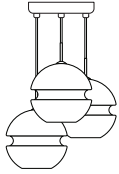


### ORDERING:

CONNECTION	GLASS OPTIONS	LAMP OPTIONS	METAL FINISH	OPTIONS
Cord Fixtures	<b>HULA8BK</b> Clear/Black	<b>(blank)</b> 60W A19	<b>BK</b> Black	<b>L</b> 15' Cord
<b>1JC</b> 1 Lt. Dome	<b>HULA8GD</b> Clear/Gold	<b>EDIL</b> 8W LED	<b>BR</b> Bronze	<b>LW</b> Lower Wattage
<b>1JT</b> 1 Lt. Flat	<b>HULA8SL</b> Clear/Silver	Filament	<b>SN</b> Satin Nickel	Labeling

Stem Fixture  
**1TT** 1 Lt. Flat

Multi light Cord Fixture  
**J** For Multi light Canopy

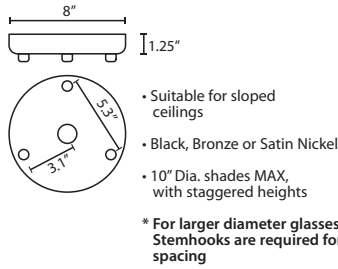


MultiLight Canopies Available, see right

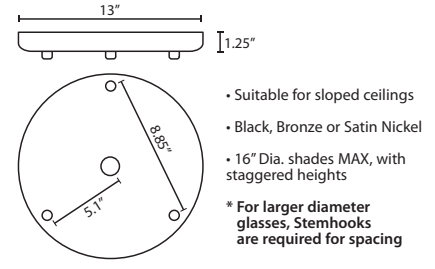
**Ex. 1JT-HULA8BK-SN**  
Hula 8 Pendant, Black Shade, Satin Nickel Finish, Flat Canopy

### MULTIPOINT CANOPY OPTIONS FOR CORD PENDANTS

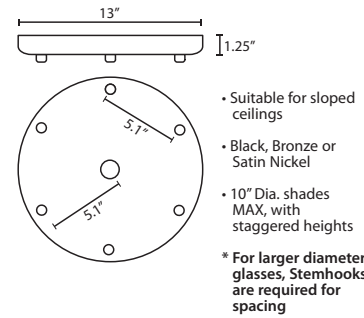
#### T33X 3 LIGHT ROUND CANOPY



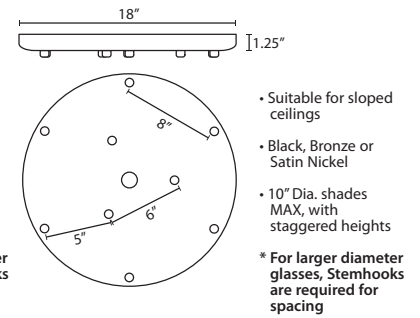
#### T33XL 3 LIGHT LARGE ROUND CANOPY



#### T36X 6 LIGHT ROUND CANOPY

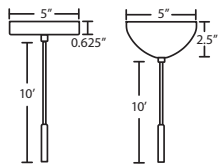


#### T39X 9 LIGHT ROUND CANOPY



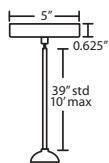
### PENDANT OPTIONS:

#### 1JT / 1JC / J CORD-HUNG PENDANT



- Flat (1JT) or Dome (1JC) Canopy styles. Dome style allows adjustment without cutting cord.
- "J" option is pendant less canopy for multipoint canopy (options to the right)
- Suitable for sloped ceilings
- Cord: 10' SVT, 5" sleeve at socketholder
- Also available in 15'
- Black, Bronze or Satin Nickel
- Cord Sleeves are available in 18" lengths

#### 1TT STEM PENDANT



- Swivel at canopy, suitable for sloped ceilings
- Includes telescoping section plus 4 connectable stem sections, (1x 3", 1x 6", 1x 12", 1x 18"), 10' max
- Black, Bronze or Satin Nickel
- Additional Stem Sections can be ordered under Accessories

### ACCESSORIES:

#### ADDITIONAL STEM SECTIONS:

Additional connecting stems are available to increase overall length of a Stem Pendant, up to 10' max. Telescoping adjustable section allows up to 3" movement.

<b>T20A-SN, BK or BR</b>	Adj. Section
<b>T203-SN, BK or BR</b>	3" Section
<b>T206-SN, BK or BR</b>	6" Section
<b>T212-SN, BK or BR</b>	12" Section
<b>T218-SN, BK or BR</b>	18" Section

#### LONGER CORD LENGTHS:

Longer cord length of 15' available. Add an "L" to the end of the item number, i.e. 1JC-169707-SN-L.

#### LOW WATTAGE LABELING:

Incandescent fixture supplied with 16 watt relamp label. Add an "LW" to the end of the item number, i.e. 1JC-169707-SN-LW.

#### CORD SLEEVES:

If concealing the cord is desired on a Cord-hung Pendant, order our 0.25" dia. metal sleeves. Each sleeve is 18" long and may be field cut.

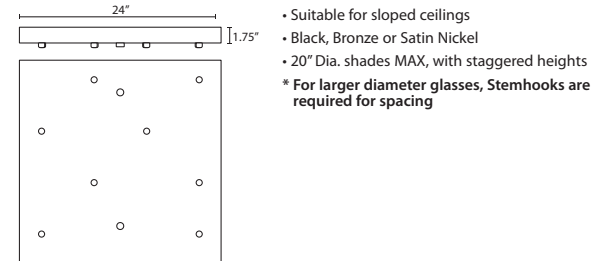
<b>T118-BK</b>	Black
<b>T118-BR</b>	Bronze
<b>T118-SN</b>	Satin Nickel

#### STEMHOOKS:

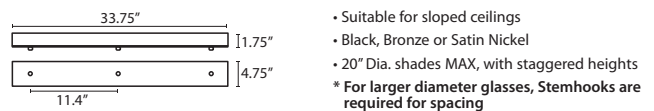
Suspension hooks allow cord drops to be placed wherever desired. Suitable for sloped ceilings or for greater multi-light spacing

<b>T103BK</b>	Black
<b>T103BR</b>	Bronze
<b>T103SN</b>	Satin Nickel

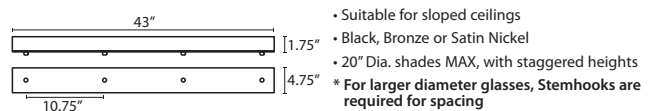
#### T38X 8 LIGHT SQUARE CANOPY



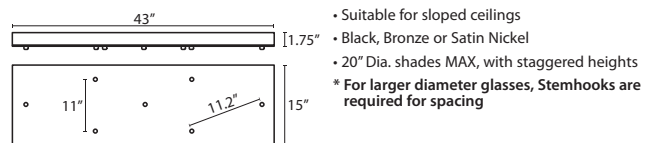
#### T33V 3 LIGHT BAR CANOPY



#### T34V 4 LIGHT BAR CANOPY



#### T37V 7 LIGHT BAR CANOPY



### HOW TO ORDER A MULTILIGHT FIXTURE

Order your canopy with the selected 120V multi light pendants (indicated by "B" or "J" prefix) for the complete fixture:

**Example: 1x T33XL-SN (3 Light Large Round Canopy)**

**1x J-HULA8BK-SN (Hula 8 Pendant in Clear/Black)**

**1x J-HULA8GD-SN (Hula 8 Pendant in Clear/Gold)**

**1x J-HULA8SL-SN (Hula 8 Pendant in Clear/Silver)**