



# RIO

120V PENDANTS

location:  
**DAMP**

## SPECIFICATIONS:

### DESCRIPTION

Inspired by the natural beauty of the Hibiscus flower, our Rio Pendant is a large scale fluted European glass shade, specifically designed for spacious environments. Our Foil glass has combined sparkling and metallic aesthetics, with the inner foil casting a compelling warm glow when illuminated. The composition employs textured metal foil applied to the inner surface of a glossy clear blown glass, with a polished cut ring artfully placed between the metal foil and the clear bottom edge.

### LAMPING

**Standard:** 60W Medium-based 120V, lamp not included. Dimmable with standard incandescent dimmer (not included).

**LED:** 9W Replaceable LED Lamp 120V, CL dimmable, 90+ CRI, 3000°K CCT, 800 lumens, 30,000 hours, lamp included. (Standard CCT is 3000K, 3500K and 4000K are also available)

### DIFFUSER

Shade shall be of clear glass with inner foil in various decors.  
12.375" Dia. x 13" H

### SUSPENSION

**Cord-hung:** 10' SVT-type cord, complete with 5" decorative sleeve at the socketholder. Jacket coordinates with metal finish. Plated stamped steel construction. Black, Bronze or Satin Nickel. See next page for mult light options.

**Stem-mount:** Includes 4 connectable stem sections (3", 6", 12" and 18" lengths) plus telescoping piece for up to 3" adjustment, 10' max. 5" Dia. canopy (with swivel) and stem sections are plated steel. Black, Bronze or Satin Nickel.  
\*Additional Stem Sections can be ordered under accessories.

### MOUNTING

Installs directly to a 4" octagonal or round ceiling box. Suitable for sloped ceilings.

### LABELS

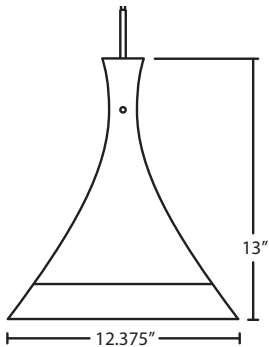
UL or ETL Listed. Suitable for Damp Locations (interior use only).  
Consult factory concerning lower wattage labeling for energy requirements.



GOLD FOIL/CLEAR (RIOGF) & COPPER FOIL/CLEAR (RIOCF)



RIO SF  
SILVER FOIL/CLEAR



**Project Information:**

**For ordering information, see next page**

All dimensions provided are nominal.  
Allowance must be made for dimensional tolerance in handcrafted glasses.

REV 6/24



ORDERING:

CONNECTION	GLASS OPTIONS	LAMP OPTIONS	METAL FINISH	OPTIONS
Cord Fixtures	<b>RIOCF</b> Copper Foil/Clear	(blank) 60W A19	<b>BK</b> Black	<b>L</b> 15' Cord
<b>1JC</b> 1 Lt. Dome	<b>RIOGF</b> Gold Foil/Clear	<b>LED</b> 3000K LED	<b>BR</b> Bronze	<b>LW</b> Lower Wattage
<b>1JT</b> 1 Lt. Flat	<b>RIOSF</b> Silver Foil/Clear	<b>LED35</b> 3500K LED	<b>SN</b> Satin Nickel	Labeling
		<b>LED40</b> 4000K LED		

Stem Fixture  
**1TT** 1 Lt. Flat

Multi light Cord Fixture  
**J** For Multi light Canopy

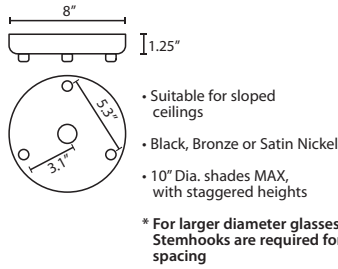


Multi-light Canopies Available, see right

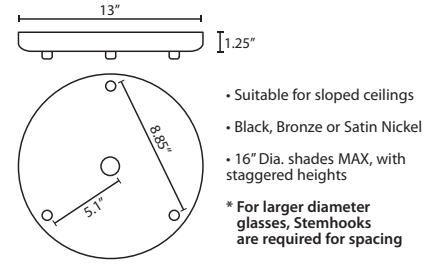
**Ex. 1JT-RIOSF-SN**  
Rio Pendant, Silver Foil/Clear Shade, Satin Nickel Finish, Flat Canopy

MULTIPOINT CANOPY OPTIONS FOR CORD PENDANTS

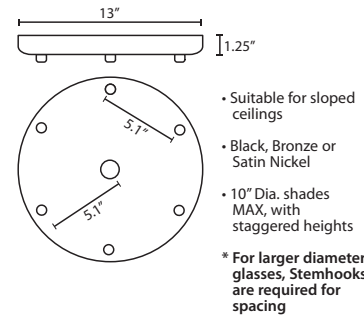
T33X 3 LIGHT ROUND CANOPY



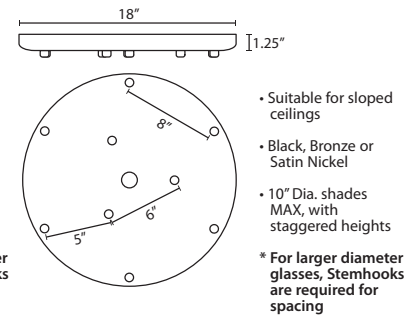
T33XL 3 LIGHT LARGE ROUND CANOPY



T36X 6 LIGHT ROUND CANOPY

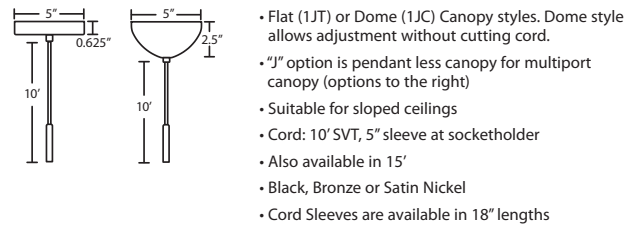


T39X 9 LIGHT ROUND CANOPY

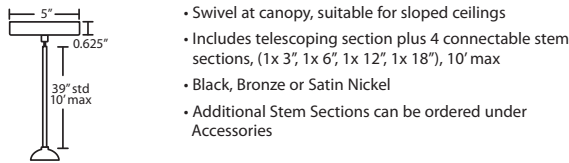


PENDANT OPTIONS:

1JT / 1JC / J CORD-HUNG PENDANT



1TT STEM PENDANT



ACCESSORIES:

ADDITIONAL STEM SECTIONS:

Additional connecting stems are available to increase overall length of a Stem Pendant, up to 10' max. Telescoping adjustable section allows up to 3" movement.

<b>T20A-SN, BK or BR</b>	Adj. Section
<b>T203-SN, BK or BR</b>	3" Section
<b>T206-SN, BK or BR</b>	6" Section
<b>T212-SN, BK or BR</b>	12" Section
<b>T218-SN, BK or BR</b>	18" Section

LONGER CORD LENGTHS:

Longer cord length of 15' available. Add an "L" to the end of the item number, i.e. 1JC-169707-SN-L.

LOW WATTAGE LABELING:

Incandescent fixture supplied with 16 watt relamp label. Add an "LW" to the end of the item number, i.e. 1JC-169707-SN-LW.

CORD SLEEVES:

If concealing the cord is desired on a Cord-hung Pendant, order our 0.25" dia. metal sleeves. Each sleeve is 18" long and may be field cut.

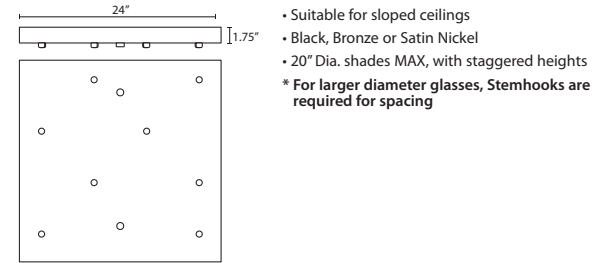
<b>T118-BK</b>	Black
<b>T118-BR</b>	Bronze
<b>T118-SN</b>	Satin Nickel

STEMHOOKS:

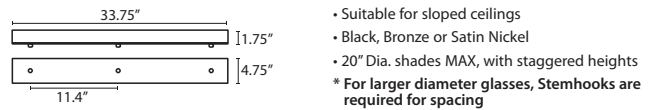
Suspension hooks allow cord drops to be placed wherever desired. Suitable for sloped ceilings or for greater multi-light spacing

<b>T103BK</b>	Black
<b>T103BR</b>	Bronze
<b>T103SN</b>	Satin Nickel

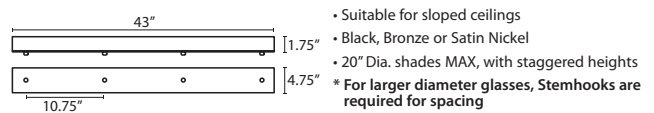
T38X 8 LIGHT SQUARE CANOPY



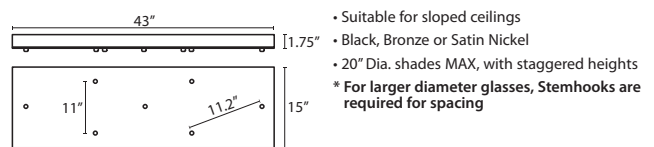
T33V 3 LIGHT BAR CANOPY



T34V 4 LIGHT BAR CANOPY



T37V 7 LIGHT BAR CANOPY



HOW TO ORDER A MULTILIGHT FIXTURE

Order your canopy with the selected 120V multi light pendants (indicated by "B" or "J" prefix) for the complete fixture:

**Example: 1x T33XL-SN (3 Light Large Round Canopy)**

**1x J-RIOGF-SN (Rio Pendant in Gold Foil/Clear)**

**1x J-RIOCF-SN (Rio Pendant in Copper Foil/Clear)**

**1x J-RIOSF-SN (Rio Pendant in Silver Foil/Clear)**