



# NINI

120V PENDANTS

location:  
**DAMP**

## SPECIFICATIONS:

### DESCRIPTION

The Nini Pendant beautifully melds wood and European glass, with the top conical wood cap turned from real Ash by hand and then clear coated. The glass cylinder is produced from triple layer opal for softly diffusing the light source, complementing the warmth of the wood sublimely.

### LAMPING

**Standard:** 40W Medium-based 120V, lamp not included. Dimmable with standard incandescent dimmer (not included).

**LED:** 9W Replaceable LED Lamp 120V, CL dimmable, 90+ CRI, 3000°K CCT, 850 lumens, 25,000 hours, lamp included. (Standard CCT is 3000K, 3500K and 4000K are also available)

### DIFFUSER

Shade shall be of opal bottom glass with top wood accent in various decors. 3.75" Dia. x 12.25" H

### SUSPENSION

**Cord-hung:** 10' SVT-type cord, complete with 5" decorative sleeve at the socketholder. Jacket coordinates with metal finish. Plated stamped steel construction. Black, Bronze or Satin Nickel. See next page for mult light options.

### MOUNTING

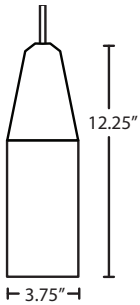
Installs directly to a 4" octagonal or round ceiling box. Suitable for sloped ceilings.

### LABELS

UL or ETL Listed. Suitable for Damp Locations (interior use only). Consult factory concerning lower wattage labeling for energy requirements.



NATURAL/OPAL (NININA) & MEDIUM/OPAL (NINIMD)



**Project Information:**

**For ordering information, see next page**

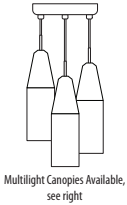
All dimensions provided are nominal. Allowance must be made for dimensional tolerance in handcrafted glasses.

REV 6/24



ORDERING:

CONNECTION	GLASS OPTIONS	LAMP OPTIONS	METAL FINISH	OPTIONS
Cord Fixtures	<b>NINIMD</b> Medium/Opal	(blank) 40W T10	<b>BK</b> Black	<b>L</b> 15' Cord
<b>1JC</b> 1 Lt. Dome	<b>NININA</b> Natural/Opal	<b>LED</b> 3000K LED	<b>BR</b> Bronze	<b>LW</b> Lower Wattage
<b>1JT</b> 1 Lt. Flat		<b>LED35</b> 3500K LED	<b>SN</b> Satin Nickel	Labeling
<b>J</b> Multi light Cord Fixture		<b>LED40</b> 4000K LED		

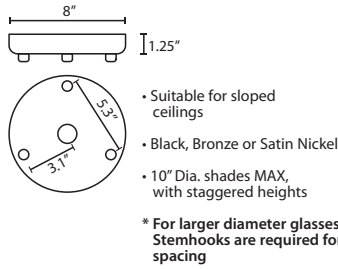


Multilight Canopies Available, see right

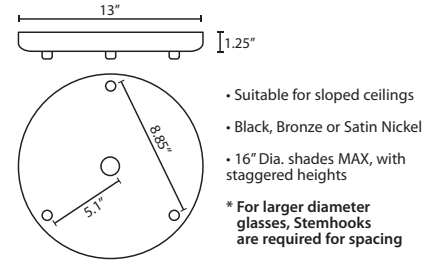
**Ex. 1JT-NINIMD-SN**  
Nini Pendant, Medium/Opal Shade, Satin Nickel Finish, Flat Canopy

MULTIPOINT CANOPY OPTIONS FOR CORD PENDANTS

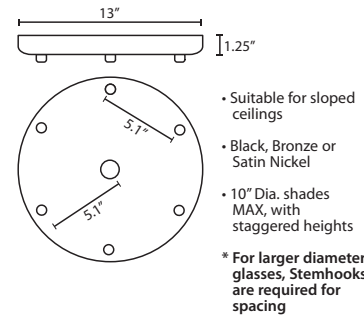
T33X 3 LIGHT ROUND CANOPY



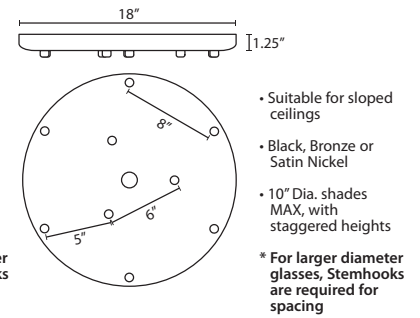
T33XL 3 LIGHT LARGE ROUND CANOPY



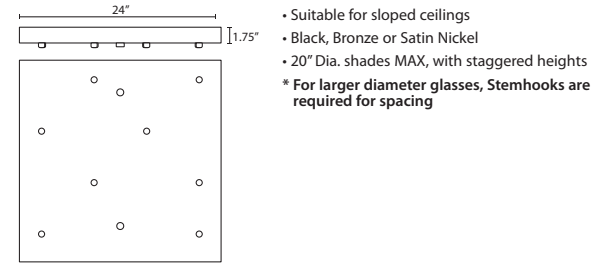
T36X 6 LIGHT ROUND CANOPY



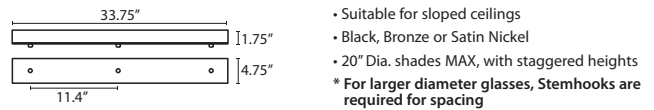
T39X 9 LIGHT ROUND CANOPY



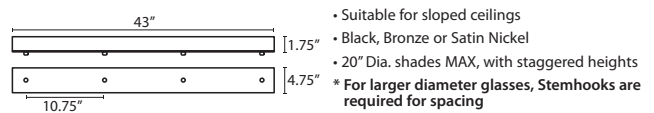
T38X 8 LIGHT SQUARE CANOPY



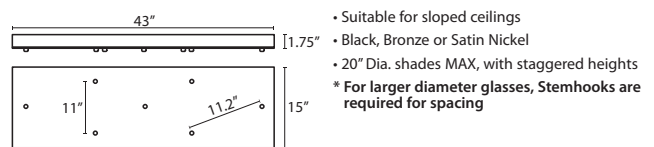
T33V 3 LIGHT BAR CANOPY



T34V 4 LIGHT BAR CANOPY



T37V 7 LIGHT BAR CANOPY



HOW TO ORDER A MULTILIGHT FIXTURE

Order your canopy with the selected 120V multi light pendants (indicated by "B" or "J" prefix) for the complete fixture:

**Example: 1x T33XL-SN (3 Light Large Round Canopy)**

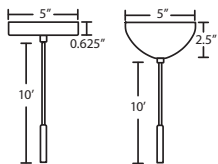
**1x J-NININA-SN (Nini Pendant in Natural/Opal)**

**1x J-NINIMD-SN (Nini Pendant in Medium/Opal)**

**1x J-NINIMD-SN (Nini Pendant in Medium/Opal)**

PENDANT OPTIONS:

1JT / 1JC / J CORD-HUNG PENDANT



- Flat (1JT) or Dome (1JC) Canopy styles. Dome style allows adjustment without cutting cord.
- "J" option is pendant less canopy for multipoint canopy (options to the right)
- Suitable for sloped ceilings
- Cord: 10' SVT, 5" sleeve at socketholder
- Also available in 15'
- Black, Bronze or Satin Nickel
- Cord Sleeves are available in 18" lengths

ACCESSORIES:

LONGER CORD LENGTHS:

Longer cord length of 15' available. Add an "L" to the end of the item number, i.e. 1JC-169707-SN-L.

LOW WATTAGE LABELING:

Incandescent fixture supplied with 16 watt relamp label.

Add an "LW" to the end of the item number, i.e. 1JC-169707-SN-LW.

CORD SLEEVES:

If concealing the cord is desired on a Cord-hung Pendant, order our 0.25" dia. metal sleeves. Each sleeve is 18" long and may be field cut.

- T118-BK** Black
- T118-BR** Bronze
- T118-SN** Satin Nickel

STEMHOOKS:

Suspension hooks allow cord drops to be placed wherever desired. Suitable for sloped ceilings or for greater multilight spacing

- T103BK** Black
- T103BR** Bronze
- T103SN** Satin Nickel