



BARON 10

120V PENDANTS

location:
DAMP

SPECIFICATIONS:

DESCRIPTION

The urban inspired Baron 10 Pendant employs a gloss RLM style shade with a lower transparent glass accent, semi-concealing a frosted downlight source for effective task lighting and a hint of peripheral brightness. Produced in a theme inspired by the nostalgic trends of today, this pendant offers a look that will easily merge into industrial architecture.

LAMPING

Standard: 60W A19 Medium-based 120V, lamp not included. Dimmable with standard incandescent dimmer (not included).

LED: 9W Replaceable LED Lamp 120V, CL dimmable, 90+ CRI, 3000°K CCT, 800 lumens, 30,000 hours, lamp included. (Standard CCT is 3000K, 3500K and 4000K are also available)

DIFFUSER

Shade shall be of glass with clear bottom and top portion glossy White or Black decors. 10" Dia. x 11.25" H

SUSPENSION

Cord-hung: 10' SVT-type cord, complete with 5" decorative sleeve at the socketholder. Jacket coordinates with metal finish. Plated stamped steel construction. Black, Bronze or Satin Nickel. See next page for multi light options.

MOUNTING

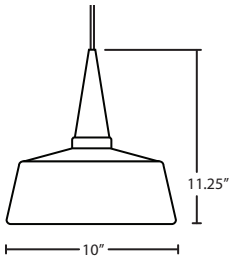
Installs directly to a 4" octagonal or round ceiling box. Suitable for sloped ceilings.

LABELS

UL or ETL Listed. Suitable for Damp Locations (interior use only). Consult factory concerning lower wattage labeling for energy requirements.



BLACK/CLEAR (BARON10BK) & WHITE/CLEAR (BARON10WH)



Project Information:

For ordering information, see next page

All dimensions provided are nominal.
Allowance must be made for dimensional tolerance in handcrafted glasses.

REV 6/24

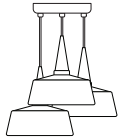


ORDERING:

CONNECTION	GLASS OPTIONS	LAMP OPTIONS	METAL FINISH
Cord Fixtures	BARON10BK 10" Black/Clear	(blank) E26 base	BK Black
1JC 1 Lt. Dome	BARON10WH 10" White/Clear	LED 3000K LED	BR Bronze
1JT 1 Lt. Flat		LED35 3500K LED	SN Satin Nickel
		LED40 4000K LED	

Multi light
J For Multi light
Canopy

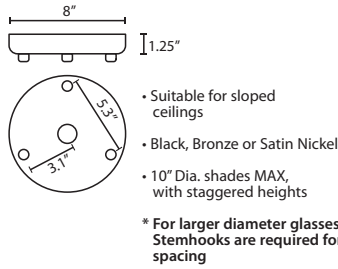
Ex. 1JT-BARON10BK-LED-SN
Baron 10 LED Pendant, Black/Clear Shade,
Satin Nickel Finish



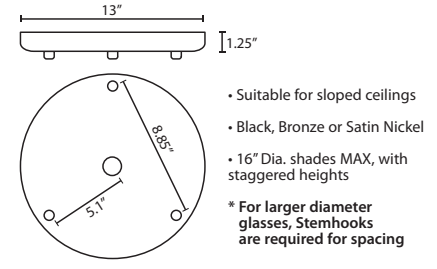
Multi-light Canopies Available,
see right

MULTIPOINT CANOPY OPTIONS FOR CORD PENDANTS

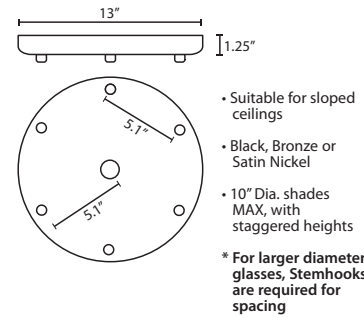
T33X 3 LIGHT ROUND CANOPY



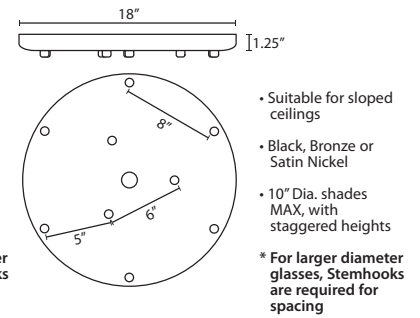
T33XL 3 LIGHT LARGE ROUND CANOPY



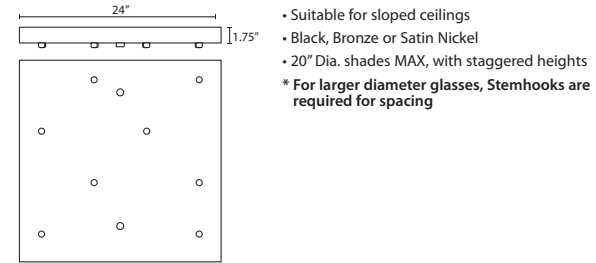
T36X 6 LIGHT ROUND CANOPY



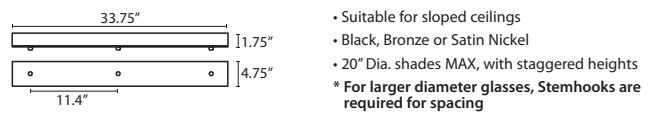
T39X 9 LIGHT ROUND CANOPY



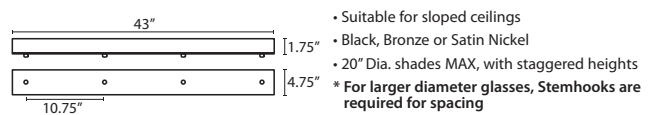
T38X 8 LIGHT SQUARE CANOPY



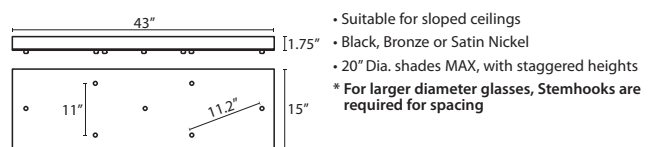
T33V 3 LIGHT BAR CANOPY



T34V 4 LIGHT BAR CANOPY

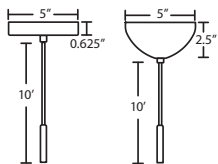


T37V 7 LIGHT BAR CANOPY



PENDANT OPTIONS:

1JT / 1JC / J CORD-HUNG PENDANT



- Flat (1JT) or Dome (1JC) Canopy styles. Dome style allows adjustment without cutting cord.
- "J" option is pendant less canopy for multipoint canopy (options to the right)
- Suitable for sloped ceilings
- Cord: 10' SVT, 5" sleeve at socketholder
- Also available in 15'
- Black, Bronze or Satin Nickel
- Cord Sleeves are available in 18" lengths

ACCESSORIES:

LONGER CORD LENGTHS:

Longer cord length of 15' available. Add an "L" to the end of the item number, i.e. 1JC-169707-SN-L.

LOW WATTAGE LABELING:

Incandescent fixture supplied with 16 watt relamp label.

Add an "LW" to the end of the item number, i.e. 1JC-169707-SN-LW.

CORD SLEEVES:

If concealing the cord is desired on a Cord-hung Pendant, order our 0.25" dia. metal sleeves. Each sleeve is 18" long and may be field cut.

- T118-BK Black
- T118-BR Bronze
- T118-SN Satin Nickel

STEMHOOKS:

Suspension hooks allow cord drops to be placed wherever desired. Suitable for sloped ceilings or for greater multilight spacing

- T103BK Black
- T103BR Bronze
- T103SN Satin Nickel

HOW TO ORDER A MULTILIGHT FIXTURE

Order your canopy with the selected 120V multi light pendants (indicated by "B" or "J" prefix) for the complete fixture:

Example: 1x T33XL-SN (3 Light Large Round Canopy)

1x J-BARON10BK-SN (Baron 10 Pendant in Black/Clear)

1x J-BARON10BK-SN (Baron 10 Pendant in Black/Clear)

1x J-BARON10BK-SN (Baron 10 Pendant in Black/Clear)