



STILO 7

120V PENDANTS

SPECIFICATIONS:

DESCRIPTION

Stilo 7 is a classic open-ended cylinder of handcrafted European glass, a shape that will stand the test of time.

LAMPING

Standard: 40W B10 Candelabra base (E12) Incandescent 120V, or 50W Xenon, lamp not included. Dimmable with standard incandescent dimmer (not included).

Medium: 40W B10 Medium-base incandescent 120V, not included.

(Incandescent dimmer is suitable for dimming, not included)

Halogen: 40W G9 Low-pressure Halogen 120V, included. Lamp is suitable for use in an open fixture, dimmable.

LED: 5W Replaceable source, 120V, dimmable, 90+ CRI, 3000°K CCT, 500 lumens, 30,000 hours. Lamp included. (Standard CCT is 3000K, 3500K and 4000K are also available)

DIFFUSER

Shade shall be handcrafted glass of various decors. 4" Dia. x 7" H

Opening sizes: 3x7mm holes.

SUSPENSION

Cord-hung: 10' SVT-type cord, complete with 5" decorative sleeve at the socketholder. Jacket coordinates with metal finish. Plated stamped steel construction. Black, Bronze or Satin Nickel. See next page for mult light options.

Stem-mount: Includes 4 connectable stem sections (3", 6", 12" and 18" lengths) plus telescoping piece for up to 3" adjustment, 10' max. 5" Dia. canopy (with swivel) and stem sections are plated steel. Black, Bronze or Satin Nickel.

*Additional Stem Sections can be ordered under accessories.

MOUNTING

Installs directly to a 4" octagonal ceiling box. Suitable for sloped ceilings.

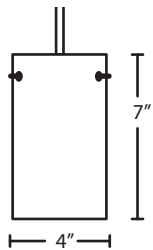
LABELS

UL or ETL Listed. Suitable for Damp Locations (interior use only).

Consult factory concerning lower wattage labeling for energy requirements.



STILO 7 SHOWN IN CHALK (4404KR) & TITAN (4404TN)



440407
OPAL MATTE



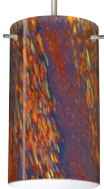
440480
AMBER MATTE



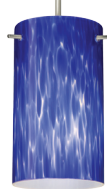
440419
CARRERA



4404CE
CEYLON



440486
BLUE CLOUD



4404OK
OAK



4404CH
CHERRY



Project Information:

For ordering information, see next page

All dimensions provided are nominal. Allowance must be made for dimensional tolerance in handcrafted glasses.

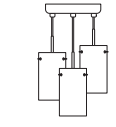
REV 6/23



ORDERING:

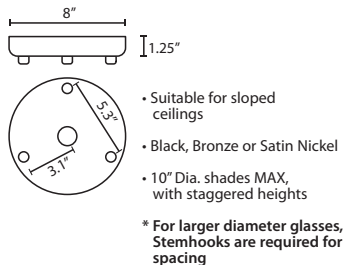
CONNECTION	SHADE OPTIONS	LAMP OPTIONS	METAL FINISH	OPTIONS
Cord Fixture	440407 Opal Matte	(blank) 40W B10 Cand	BK Black	L 15' cord
1BC 1 Lt. Dome	440419 Carrera	MED 40W B10 Med	BR Bronze	LW Low
1BT 1 Lt. Flat	440480 Amber Matte	HAL 40W G9 Halogen	SN Satin Nickel	wattage labeling
	440486 Blue Cloud	LED* 5W LED 120V, dimmable		
Stem Fixture	4404CE Ceylon			
1TT 1 Lt. Flat	4404CH Cherry			
	4404KR Chalk			
Multi light Cord Fixture	4404OK Oak			
B For Multi light Canopy	4404TN Titan			

Ex. 1BT-4404KR-SN
Stilo 7 Pendant w/ Chalk Glass, Satin Nickel Finish, Flat Canopy

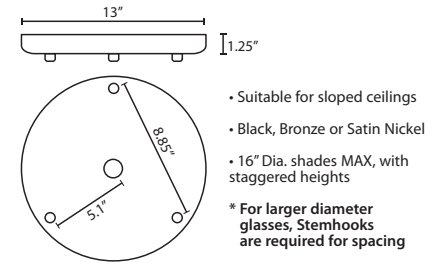


MULTIPOINT CANOPY OPTIONS FOR CORD PENDANTS

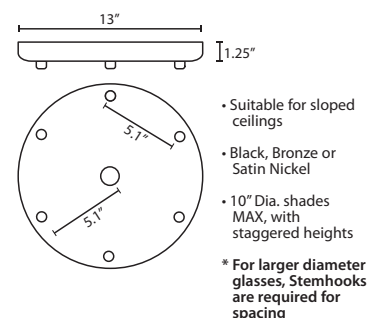
T33X 3 LIGHT ROUND CANOPY



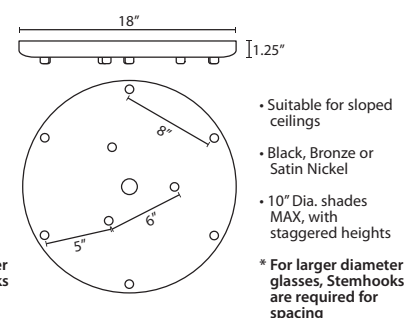
T33XL 3 LIGHT LARGE ROUND CANOPY



T36X 6 LIGHT ROUND CANOPY

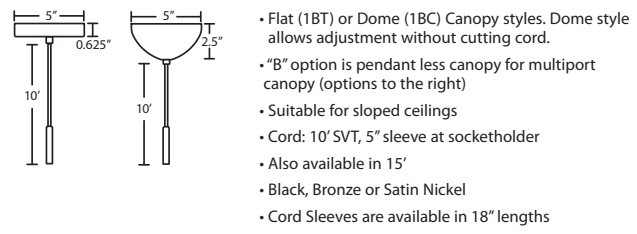


T39X 9 LIGHT ROUND CANOPY

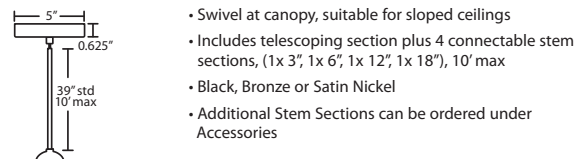


PENDANT OPTIONS:

1BT / 1BC / B CORD-HUNG PENDANT



1TT STEM PENDANT



ACCESSORIES:

ADDITIONAL STEM SECTIONS:

Additional connecting stems are available to increase overall length of a Stem Pendant, up to 10' max. Telescoping adjustable section allows up to 3" movement.

- T20A-SN, BK or BR** Adj. Section
- T203-SN, BK or BR** 3" Section
- T206-SN, BK or BR** 6" Section
- T212-SN, BK or BR** 12" Section
- T218-SN, BK or BR** 18" Section

LONGER CORD LENGTHS:
Longer cord length of 15' available. Add an "L" to the end of the item number, i.e. 1JC-169707-SN-L.

LOW WATTAGE LABELING:
Incandescent fixture supplied with 16 watt relamp label. Add an "LW" to the end of the item number, i.e. 1JC-169707-SN-LW.

CORD SLEEVES:

If concealing the cord is desired on a Cord-hung Pendant, order our 0.25" dia. metal sleeves. Each sleeve is 18" long and may be field cut.

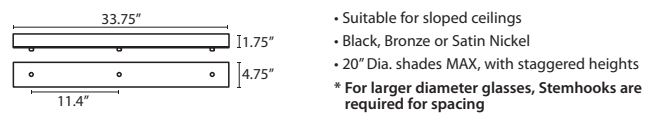
- T118-BK** Black
- T118-BR** Bronze
- T118-SN** Satin Nickel

STEMHOOKS:

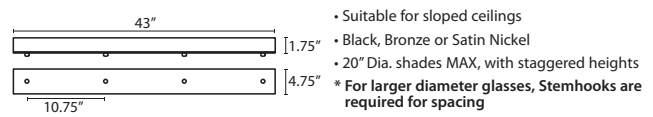
Suspension hooks allow cord drops to be placed wherever desired. Suitable for sloped ceilings or for greater multilight spacing

- T103BK** Black
- T103BR** Bronze
- T103SN** Satin Nickel

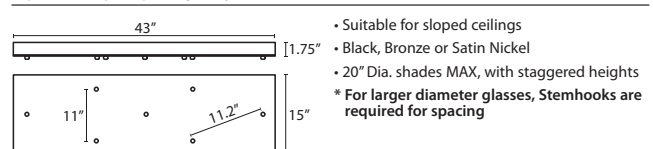
T33V 3 LIGHT BAR CANOPY



T34V 4 LIGHT BAR CANOPY



T37V 7 LIGHT BAR CANOPY



HOW TO ORDER A MULTILIGHT FIXTURE

Order your canopy with the selected 120V multi light pendants (indicated by "B" or "J" prefix) for the complete fixture:

- Example: 1x T33X-SN (3 Light Round Canopy)**
- 1x B-440419-SN (Stilo 7 Pendant in Carrera)**
 - 1x B-440419-SN (Stilo 7 Pendant in Carrera)**
 - 1x B-440419-SN (Stilo 7 Pendant in Carrera)**