



BANA 11 / 15

120V PENDANTS

location:
DAMP

SPECIFICATIONS:

DESCRIPTION

Our Bana is a modern and unique compact torus shape, with an interesting inverted open bottom, its retro styling will gracefully blend into today's environments. Available in 2 different sizes.

LAMPING

Standard: 60W T10 Medium-based 120V, lamp not included. Dimmable with standard incandescent dimmer (not included).

LED Filament: 4W Replaceable LED Filament T-shape lamp, 120V, CL dimmable, 90+ CRI, 3000°K CCT, 350 lumens, 15,000 hours, lamp included.

DIFFUSER

Shade shall be handcrafted glass of various decors.

Bana 11: 10.5" Dia. x 5.25" H

Bana 15: 14.8" Dia. x 6.9" H

SUSPENSION

Cord-hung: 10' SVT-type cord, complete with 5" decorative sleeve at the socketholder. Jacket coordinates with metal finish. Plated stamped steel construction. Black, Bronze or Satin Nickel. See next page for mulit light options.

Stem-mount: Includes 4 connectable stem sections (3", 6", 12" and 18" lengths) plus telescoping piece for up to 3" adjustment, 10' max. 5" Dia. canopy (with swivel) and stem sections are plated steel. Black, Bronze or Satin Nickel.

*Additional Stem Sections can be ordered under accessories.

MOUNTING

Installs directly to a 4" octagonal ceiling box. Suitable for sloped ceilings.

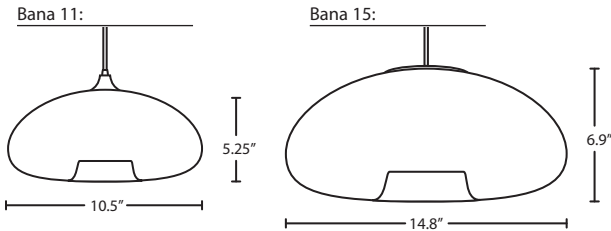
LABELS

UL or ETL Listed. Suitable for Damp Locations (interior use only).

Consult factory concerning lower wattage labeling for energy requirements.



BANA SHOWN IN CLEAR (BANA11) & BANA 15 IN SMOKE (BANA15SM) WITH BLACK CORDSET



Project Information:

For ordering information, see next page

All dimensions provided are nominal. Allowance must be made for dimensional tolerance in handcrafted glasses.

REV 6/23

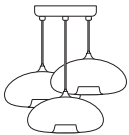


ORDERING:

CONNECTION	SHADE OPTIONS	LAMP OPTIONS	METAL FINISH	OPTIONS
Cord Fixture	BANA11 11" Clear	(blank) 60W T10	BK Black	L 15' cord
1JC 1 Lt. Dome	BANAFR 11" Frost	EDIL 4W LED	BR Bronze	LW Low wattage
1JT 1 Lt. Flat	BANASM 11" Smoke	Filament	SN Satin Nickel	labeling
Stem Fixture	BANA15CL 15" Clear			
1TT 1 Lt. Flat	BANA15FR 15" Frost			
	BANA15SM 15" Smoke			

Ex. 1JT-BANA11-SN
Bana Pendant w/ Clear Glass,
Satin Nickel Finish, Flat
Canopy

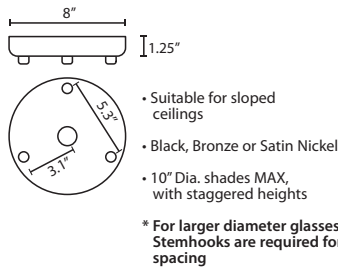
Multi light Cord Fixture
J For Multi light
Canopy



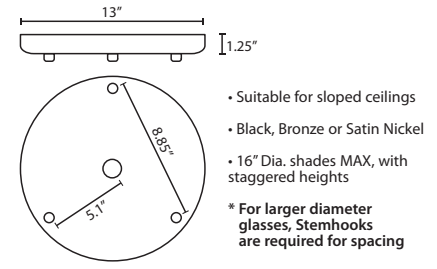
Multilight Canopies Available,
see page 11

MULTIPOINT CANOPY OPTIONS FOR CORD PENDANTS

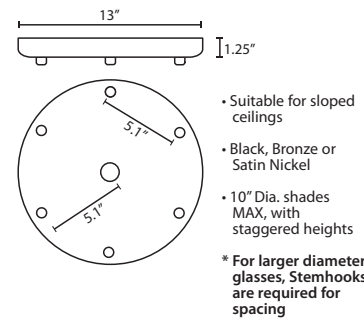
T33X 3 LIGHT ROUND CANOPY



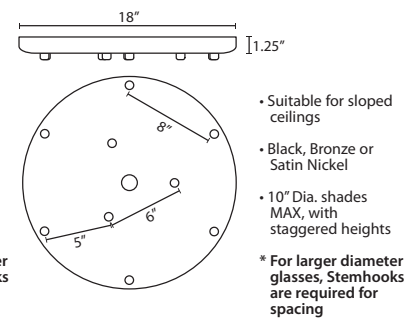
T33XL 3 LIGHT LARGE ROUND CANOPY



T36X 6 LIGHT ROUND CANOPY

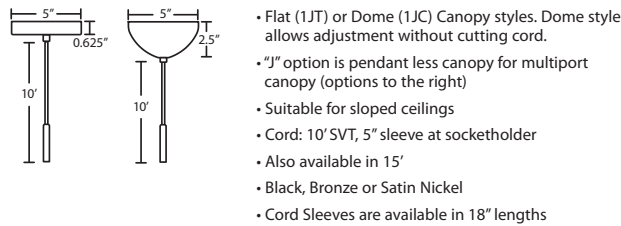


T39X 9 LIGHT ROUND CANOPY

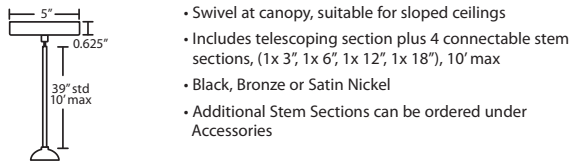


PENDANT OPTIONS:

1JT / 1JC / J CORD-HUNG PENDANT



1TT STEM PENDANT



ACCESSORIES:

ADDITIONAL STEM SECTIONS:

Additional connecting stems are available to increase overall length of a Stem Pendant, up to 10' max. Telescoping adjustable section allows up to 3" movement.

T20A-SN, BK or BR	Adj. Section
T203-SN, BK or BR	3" Section
T206-SN, BK or BR	6" Section
T212-SN, BK or BR	12" Section
T218-SN, BK or BR	18" Section

LONGER CORD LENGTHS:

Longer cord length of 15' available. Add an "L" to the end of the item number, i.e. 1JC-169707-SN-L.

LOW WATTAGE LABELING:

Incandescent fixture supplied with 16 watt relamp label. Add an "LW" to the end of the item number, i.e. 1JC-169707-SN-LW.

CORD SLEEVES:

If concealing the cord is desired on a Cord-hung Pendant, order our 0.25" dia. metal sleeves. Each sleeve is 18" long and may be field cut.

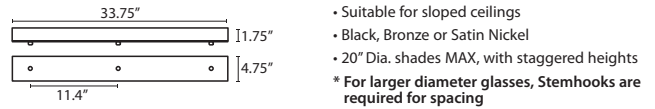
T118-BK	Black
T118-BR	Bronze
T118-SN	Satin Nickel

STEMHOOKS:

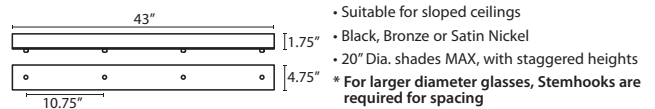
Suspension hooks allow cord drops to be placed wherever desired. Suitable for sloped ceilings or for greater multilight spacing

T103BK	Black
T103BR	Bronze
T103SN	Satin Nickel

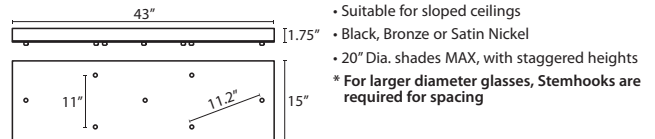
T33V 3 LIGHT BAR CANOPY



T34V 4 LIGHT BAR CANOPY



T37V 7 LIGHT BAR CANOPY



HOW TO ORDER A MULTILIGHT FIXTURE

Order your canopy with the selected 120V multi light pendants (indicated by "B" or "J" prefix) for the complete fixture:

Example: 1x T33X-SN (3 Light Round Canopy)

1x J-BANA11-SN (Bana Pendant in Clear)

1x J-BANA11-SN (Bana Pendant in Clear)

1x J-BANASM-SN (Bana Pendant in Smoke)