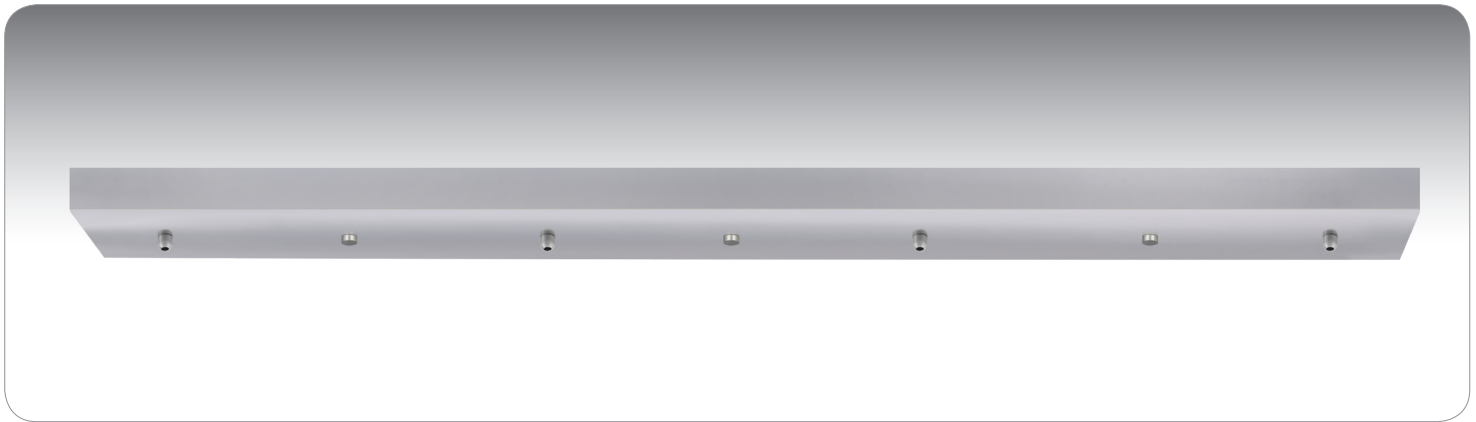




4 - LIGHT BAR CANOPIES

12V MINI PENDANTS

location:
DRY



4-LIGHT BAR, FIXED CONNECT

For 12V Pendants using 20" diameter shades MAX, with staggered heights.

SPECIFICATIONS:

DESCRIPTION

4-Light Bar Multiport canopies for Besa 12V pendants.

COMPATIBILITY

Compatible with Besa incandescent and LED 12V pendants.

CANOPY

Canopy shall be of round-style. 43" L x 4.75" W x 1.75" H

METAL FINISH

Available in Black, Bronze or Satin Nickel.

MOUNTING

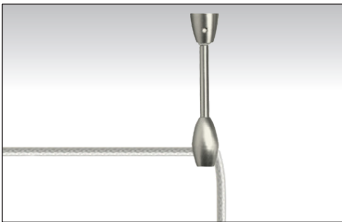
Canopies mount directly to a 4" octagonal ceiling box. Suitable for sloped ceilings.

LABELS

UL or ETL Listed. Suitable for Dry Locations (interior use only).

SWAG ACCESSORY

For 12V Cord Pendants that allow installer to position cord drops as desired.
Order: T100-BR/SN



ORDERING:

| ITEM | LAMPING | FINISH | OPTIONS |
|-------------------------|---|--|-------------------------------------|
| T24V 4-light bar canopy | (blank) Halogen, includes 60W 12V Electronic Transformer | BK Black BR Bronze SN Satin Nickel | 277 277V DIM010 0-10V Dimming |
| | LED LED, includes 60W LED 12V (no load) Electronic Transformers | | |

Project Information:

HOW TO ORDER A MULTILIGHT FIXTURE

Order your canopy with the selected 12V multi light pendants (indicated by "X" prefix) for the complete fixture:

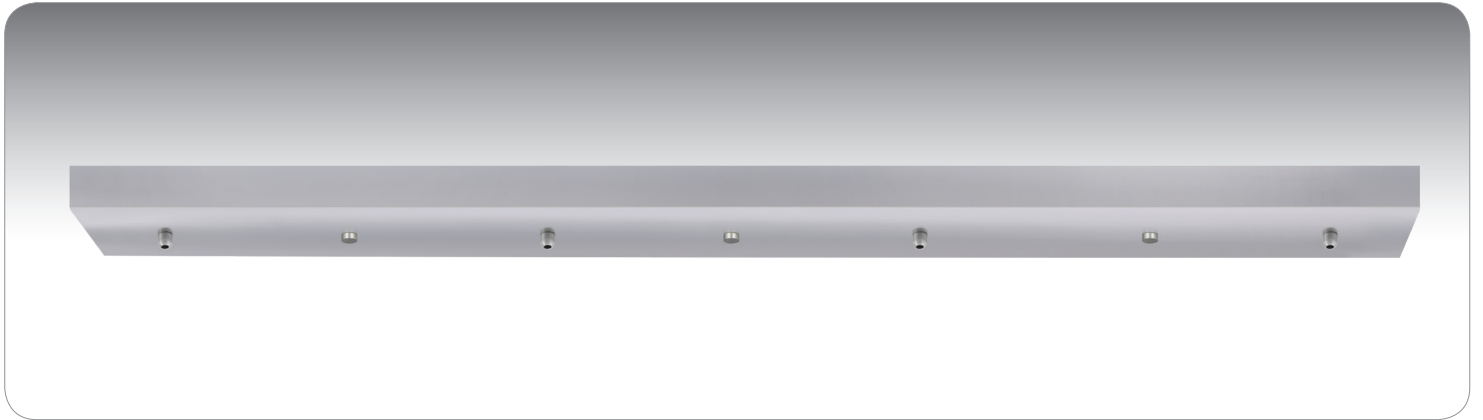
**Example: 1x T24V-SN (4 Light Bar Canopy)
4x X-117607-SN (Kona Pendant in White)**

All dimensions provided are nominal.
Allowance must be made for dimensional tolerance in handcrafted glasses.



4 - LIGHT BAR CANOPIES

120V PENDANTS



4-LIGHT BAR, FIXED CONNECT

For 120V Pendants using 20" diameter shades MAX, with staggered heights.

SPECIFICATIONS:

DESCRIPTION

4-light Bar Multiport canopies for Besa 120V pendants.

COMPATIBILITY

Compatible with Besa incandescent and LED 120V pendants.

CANOPIE

Canopy shall be of round-style. 43" L x 4.75" W x 1.75" H

METAL FINISH

Available in Black, Bronze or Satin Nickel.

MOUNTING

Canopies mount directly to a 4" octagonal ceiling box. Suitable for sloped ceilings.

LABELS

UL or ETL Listed. Suitable for Damp Locations (interior use only).

SWAG ACCESSORY

For 120V Cord Pendants that allow installer to position cord drops as desired.
Order: T103-BR/SN



ORDERING:

| ITEM | - | FINISH |
|------------------|---|-----------------|
| T34V 3-light bar | | BK Black |
| | | BR Bronze |
| | | SN Satin Nickel |

HOW TO ORDER A MULTILIGHT FIXTURE

Order your canopy with the selected 120V multi light pendants (indicated by "B" or "J" prefix) for the complete fixture:

Example: 1x T34V-SN (4 Light Bar Canopy)

4x J-757207-SN (Sasha Pendant in Opal Matte)

Project Information:

All dimensions provided are nominal.
Allowance must be made for dimensional tolerance in handcrafted glasses.